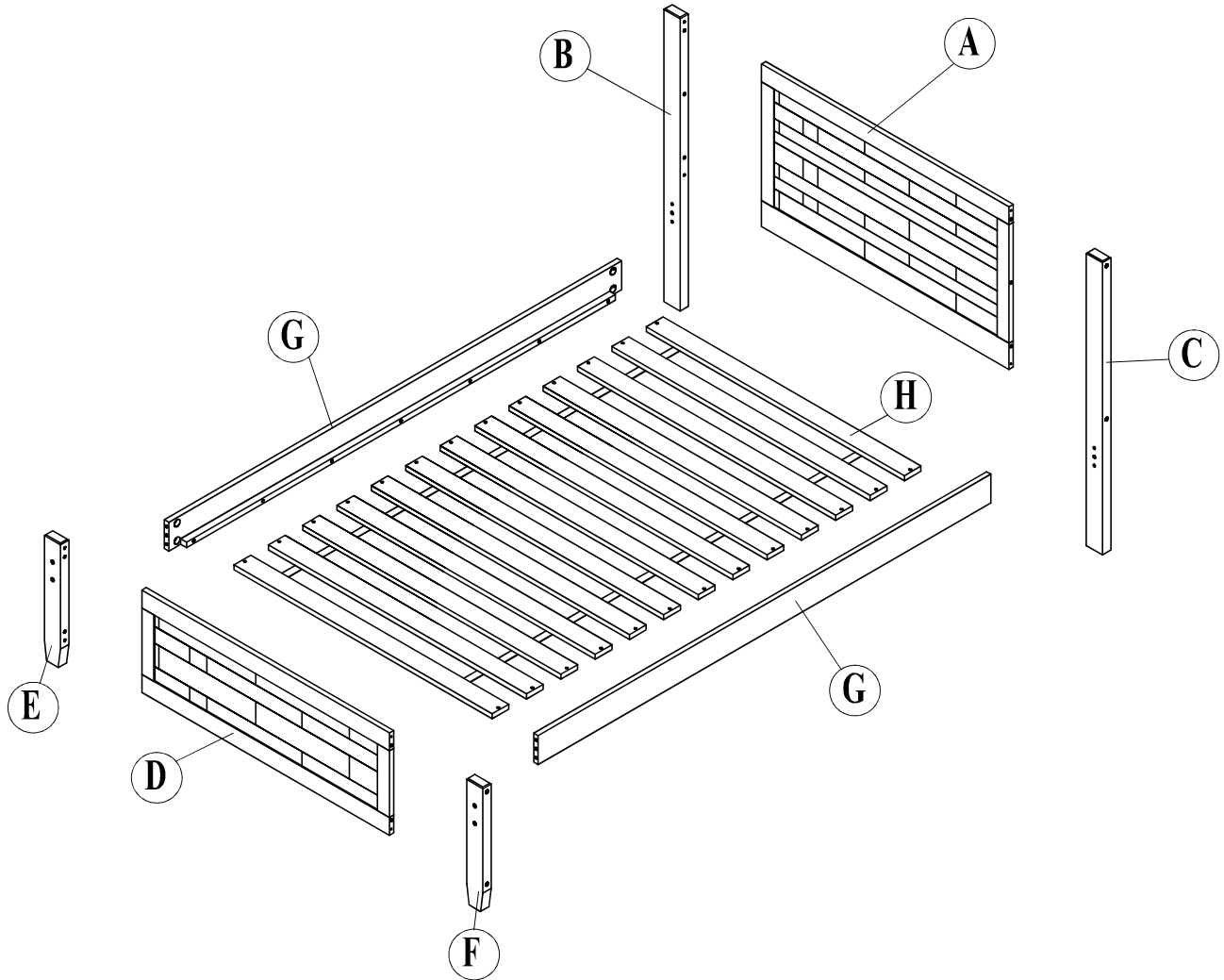






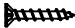



Model: 9015 ARTESIAN TWIN BED

P. 1/3



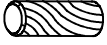

HARDWARE PACK #: 9015 - ARTESIAN TWIN BED

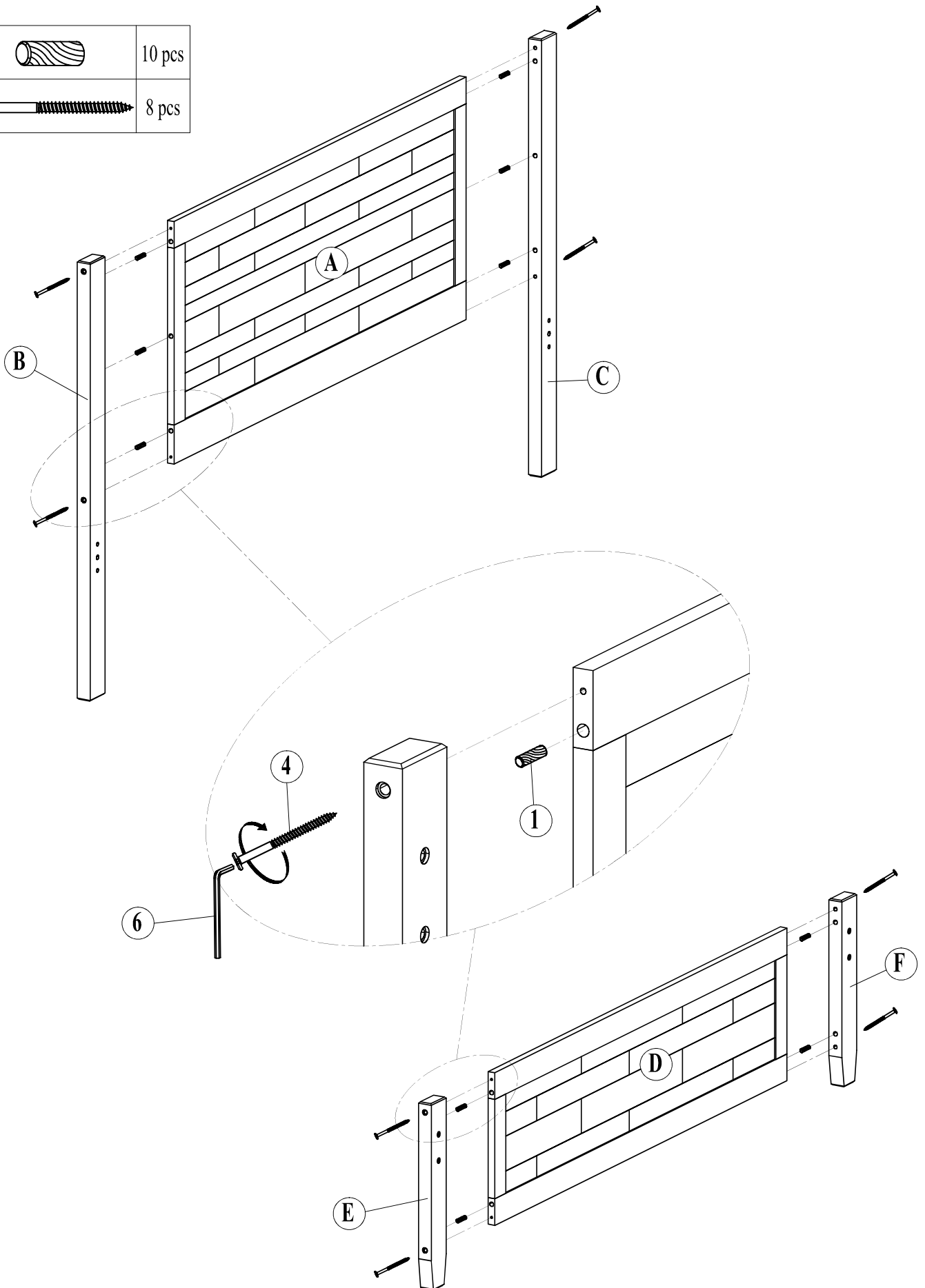
CODE	DESCRIPTION		DIMENSION	QTY
1	DOWEL		Ø10 x 40mm	14 pcs
2	BOLT		(Ø13) 1/4" x 65mm	8 pcs
3	HALF MOON NUTS		21 x 12 x 9mm	8 pcs
4	BOLT		(Ø13) 1/4" x 120mm	8 pcs
5	SCREW		Ø4 x 30mm	26 pcs
6	ALLEN WRENCH		(1/4")4.5 x 58mm	1 pc

PARTS LIST: 9015

ARTESIAN TWIN BED




STEP 1

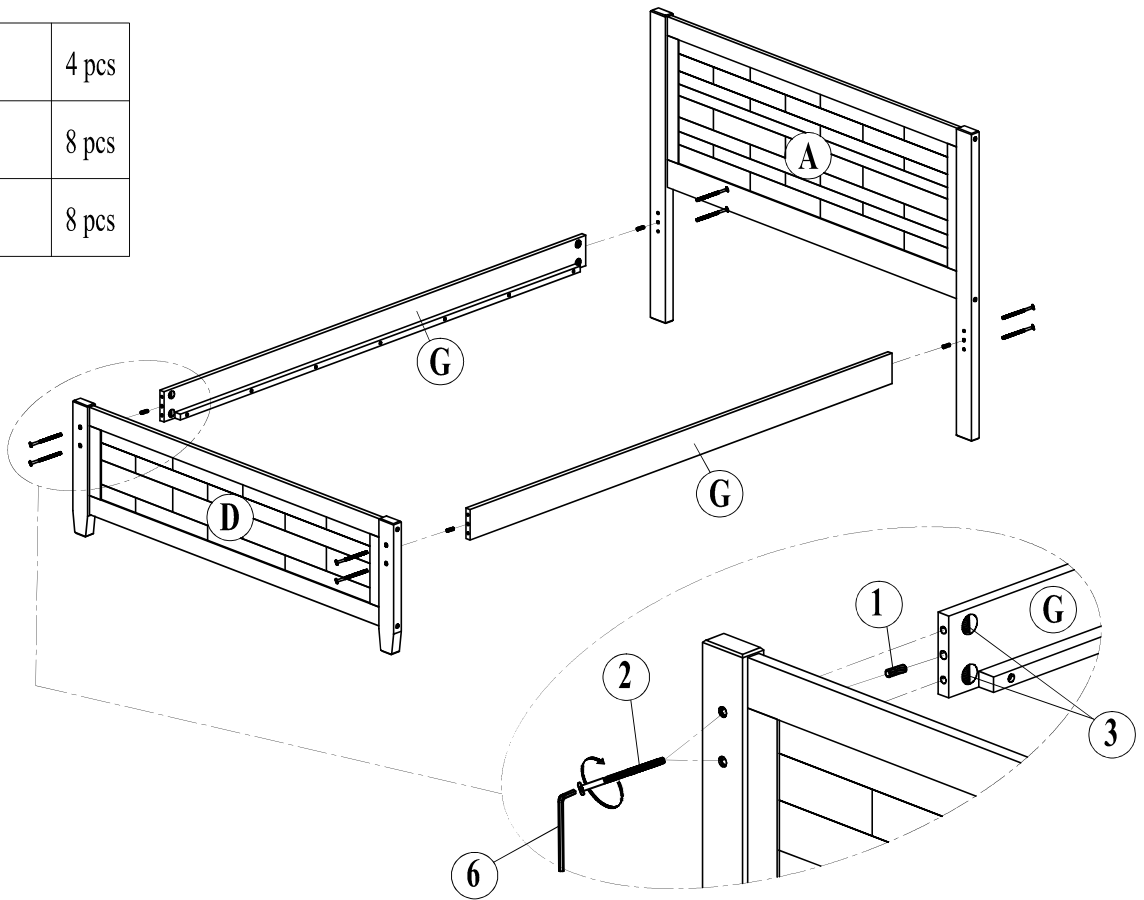
1		10 pcs
4		8 pcs



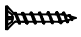
PARTS LIST: 9015 ARTESIAN TWIN BED

STEP 2

1		4 pcs
2		8 pcs
3		8 pcs



STEP 3

5		26 pcs
---	---	--------

