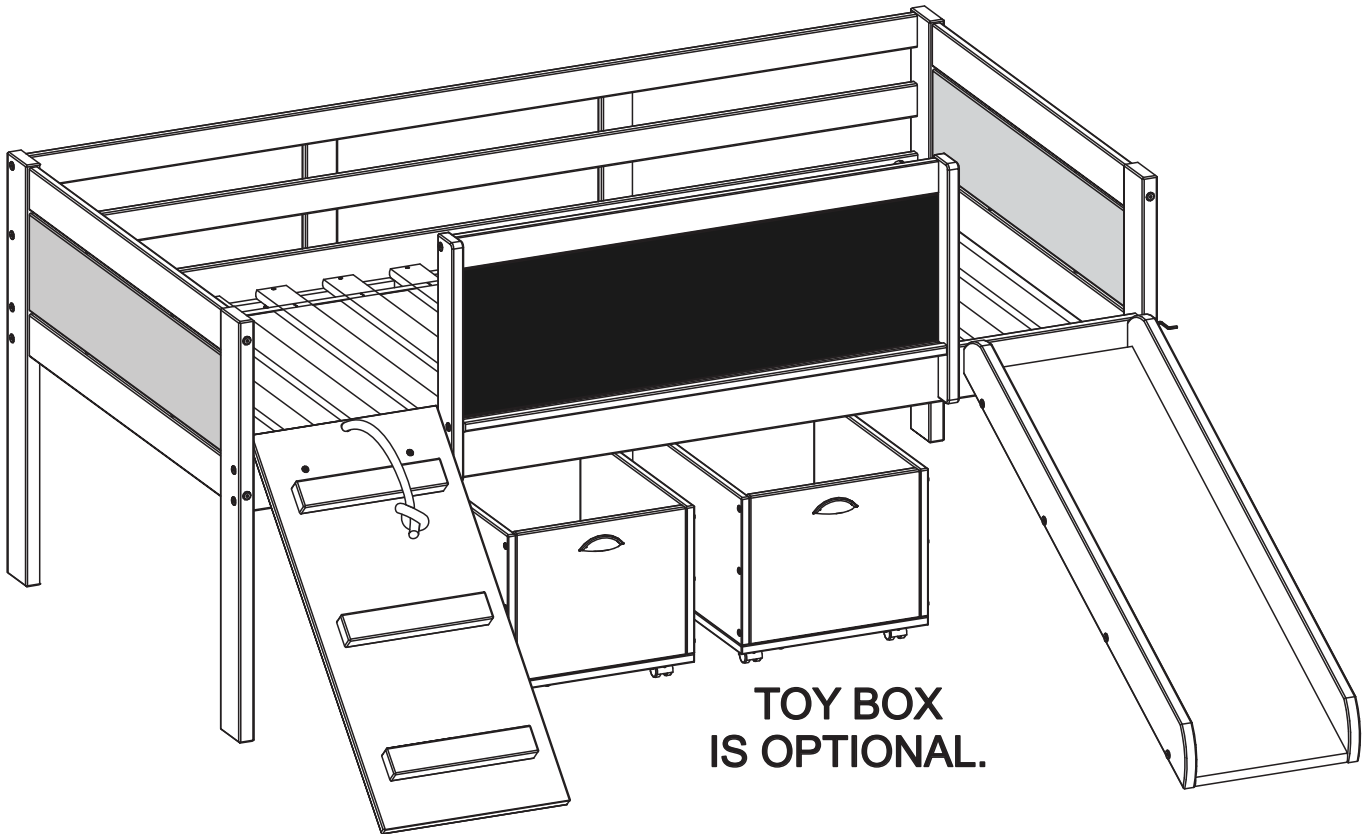


Fort Worth, Texas 76140

ASSEMBLY INSTRUCTIONS

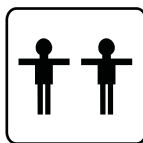
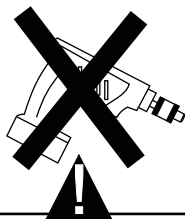
3005 - Twin Junior Low Loft



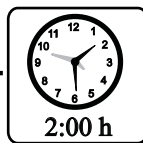
Thank you for purchasing this quality product. Be sure to check all packing material carefully for small parts which may have come loose inside the carton during shipment. Separate identify and count all parts and hardware.

Compare with the parts list to be sure all parts are present.

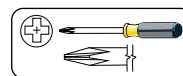
"DO NOT TIGHTEN SCREWS UNTIL COMPLETELY ASSEMBLED"



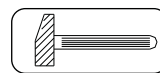
+



Tools Required



(Not included)



(Not included)

- * Use of power tool to assemble this product will invalidate any claim and damage this product making unsafe !!!
- * Please assemble on a clean soft surface to avoid damage.

IMPORTANT:

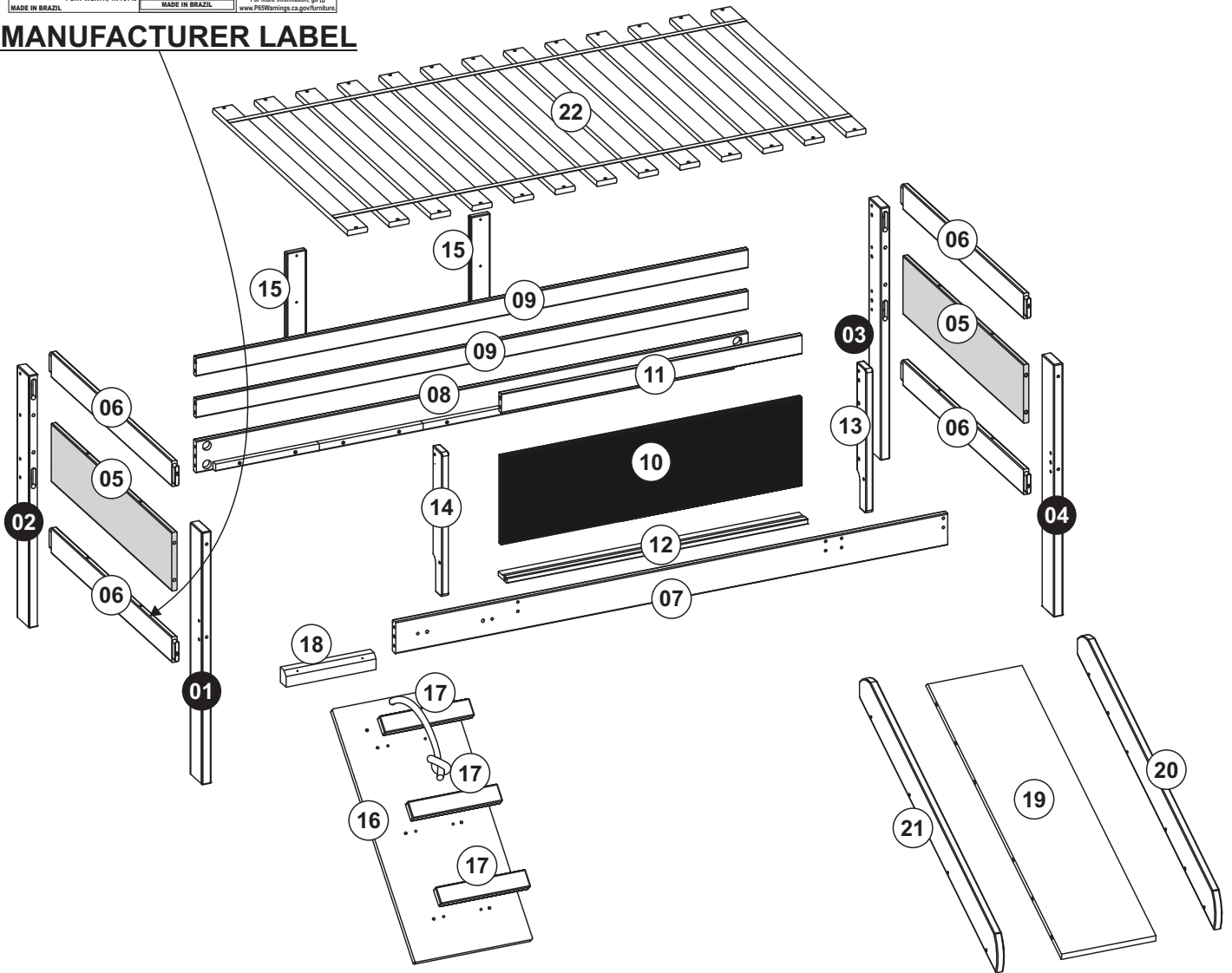
PLEASE READ INSTRUCTION BEFORE STARTING THE ASSEMBLY

Part list: 3005 - Twin Junior Low Loft







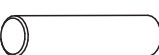
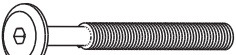

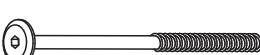



| | | |
|-----------------------------------|--------------------------------------|-----------------------------------|
| PRODUCT: TWIN JUNIOR LOW LOFT | DONCO TRADING CO. | WARNING |
| MODEL #: 3005 | California Proposition 65 | This product can expose you to |
| INFO CODE #: 0 | FORMALDEHYDE. PHASE 2 | chemicals, including formaldehyde |
| PO #: 0009 | which is known to the | |
| INFO DATE: OCTOBER/2013 | State of California to cause cancer. | |
| DISTRIBUTED BY: DONCO TRADING CO. | FOR RESIDENTIAL USE ONLY. | For more information, go to |
| FORT WORTH, TX 76140 | NOT FOR COMMERCIAL USE. | www.P65Warnings.ca.gov/furniture |
| MADE IN BRAZIL | MADE IN BRAZIL | |



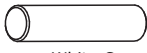
MANUFACTURER LABEL

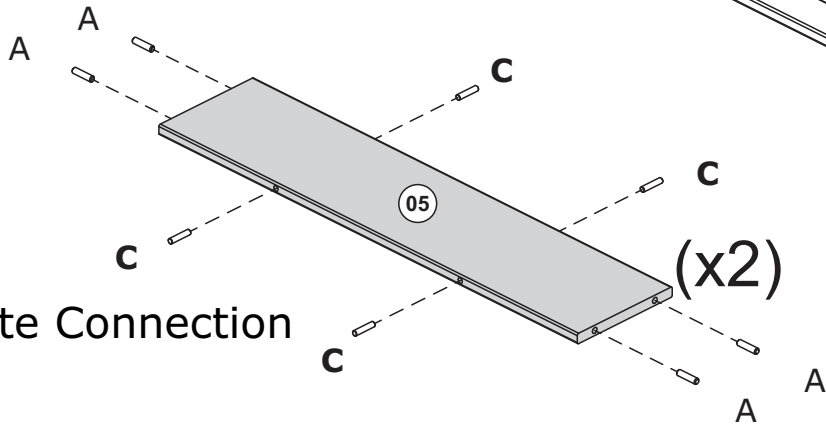
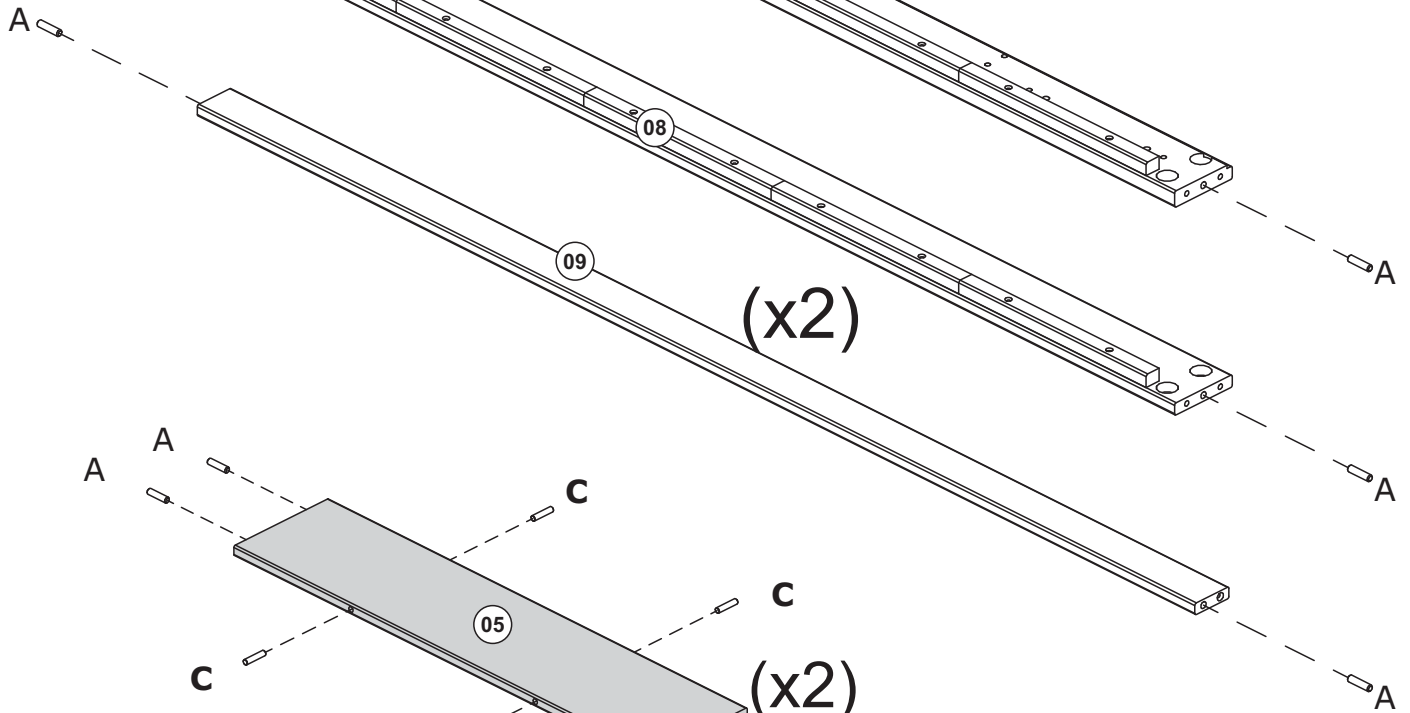
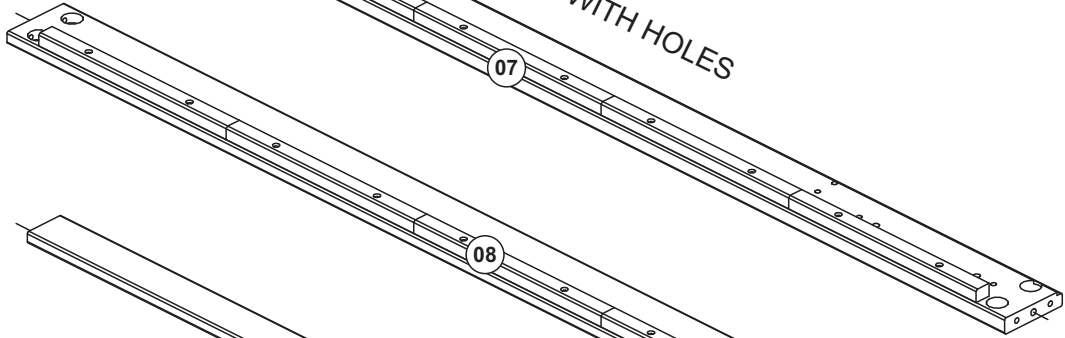
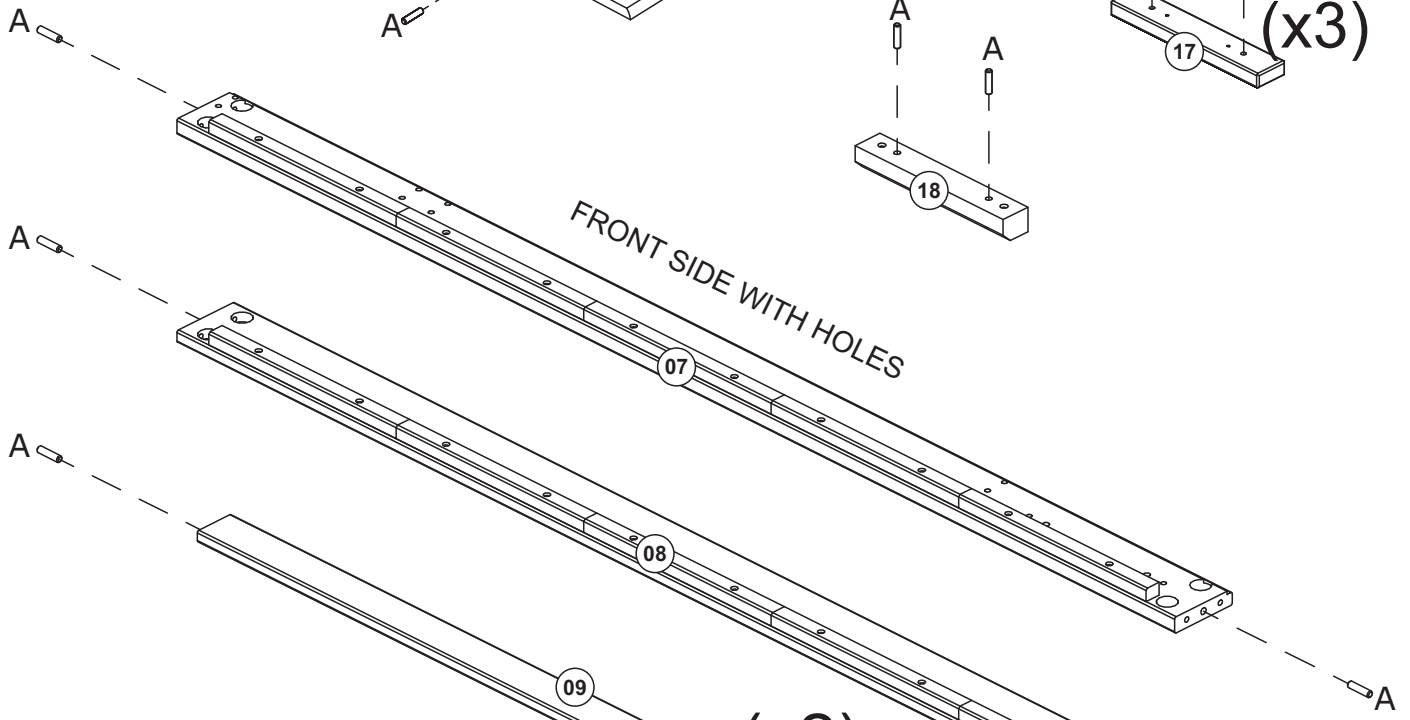
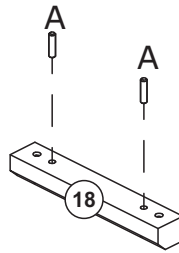
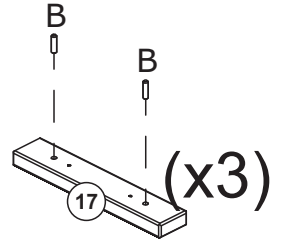
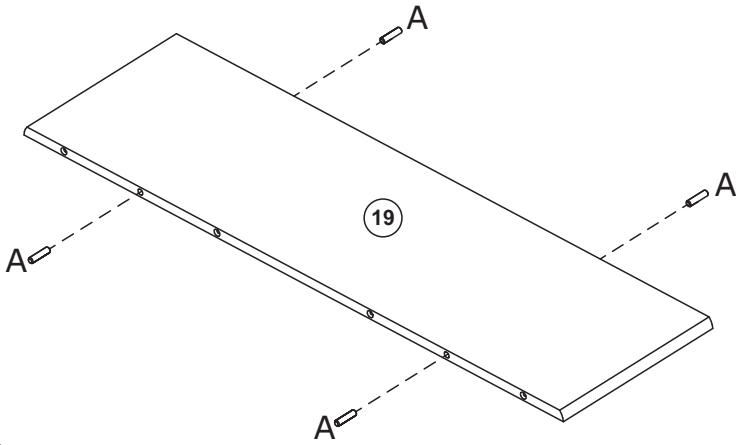
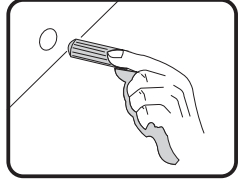


Identifying the Hardware-Identify the hardware using the illustrations below.

| | | | | | | | | |
|----------|---|-----------|----------|---|-----------|----------|--|-----------|
| A |  Ø10x40mm | 29 | E |  Ø7x70mm (Ø17) | 08 | I |  Ø7x40mm (Ø13) | 08 |
| B |  Ø8x30mm | 06 | F |  Ø7x50mm (Ø17) | 18 | J |  Ø4x30mm | 32 |
| C |  White Connection | 08 | G |  1/4x70mm (Ø17) | 08 | K |  | 08 |
| D |  Ø7x110mm (Ø17) | 08 | H |  4mm | 01 | | | |

01

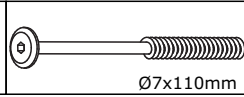
| | | | | | | | | |
|----------|---|-----------|----------|--|-----------|----------|---|-----------|
| A |  Ø10x40mm | 22 | B |  Ø8x30mm | 06 | C |  White Connection | 08 |
|----------|---|-----------|----------|--|-----------|----------|---|-----------|



White Connection

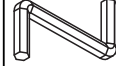
02

D



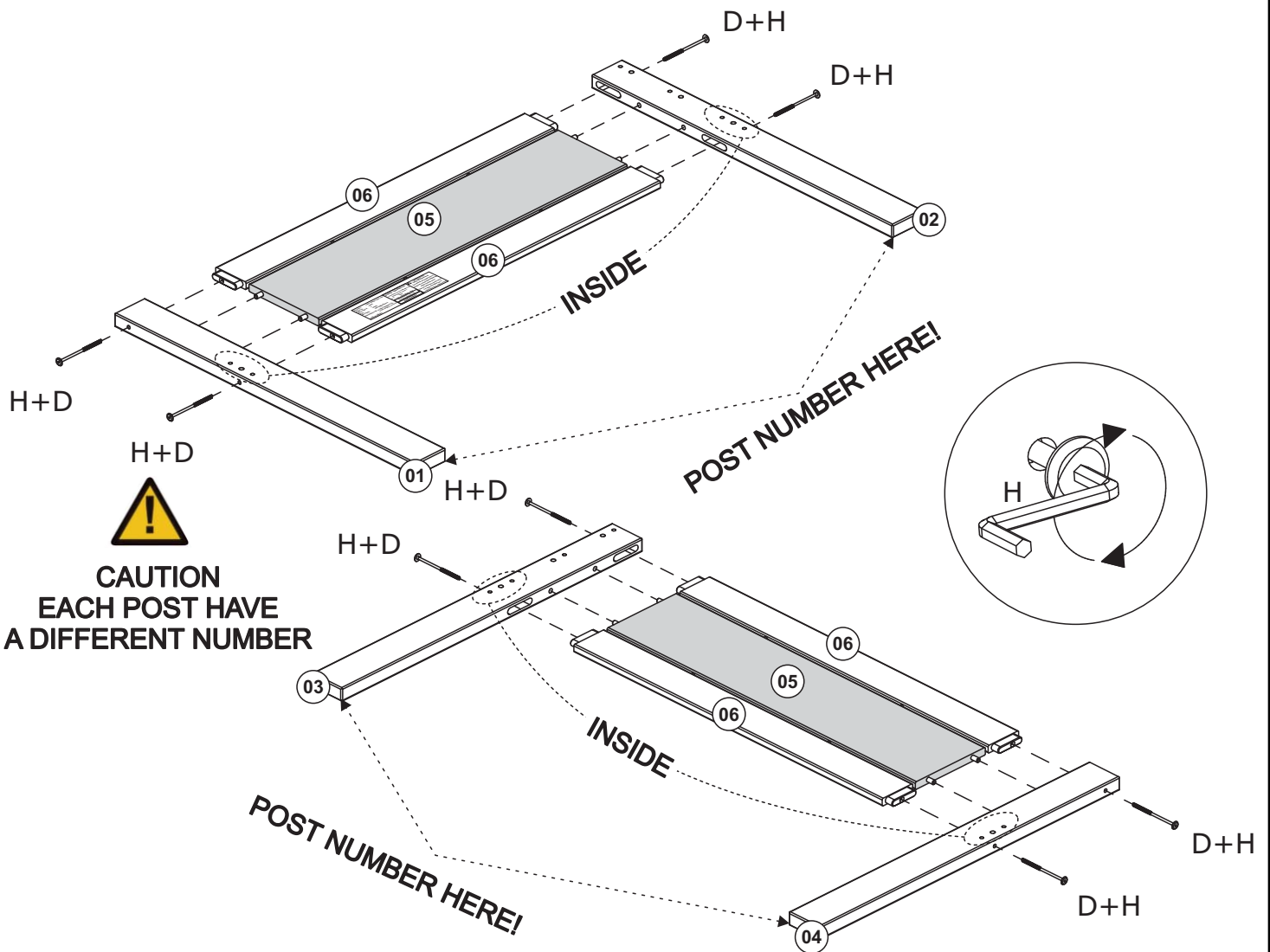
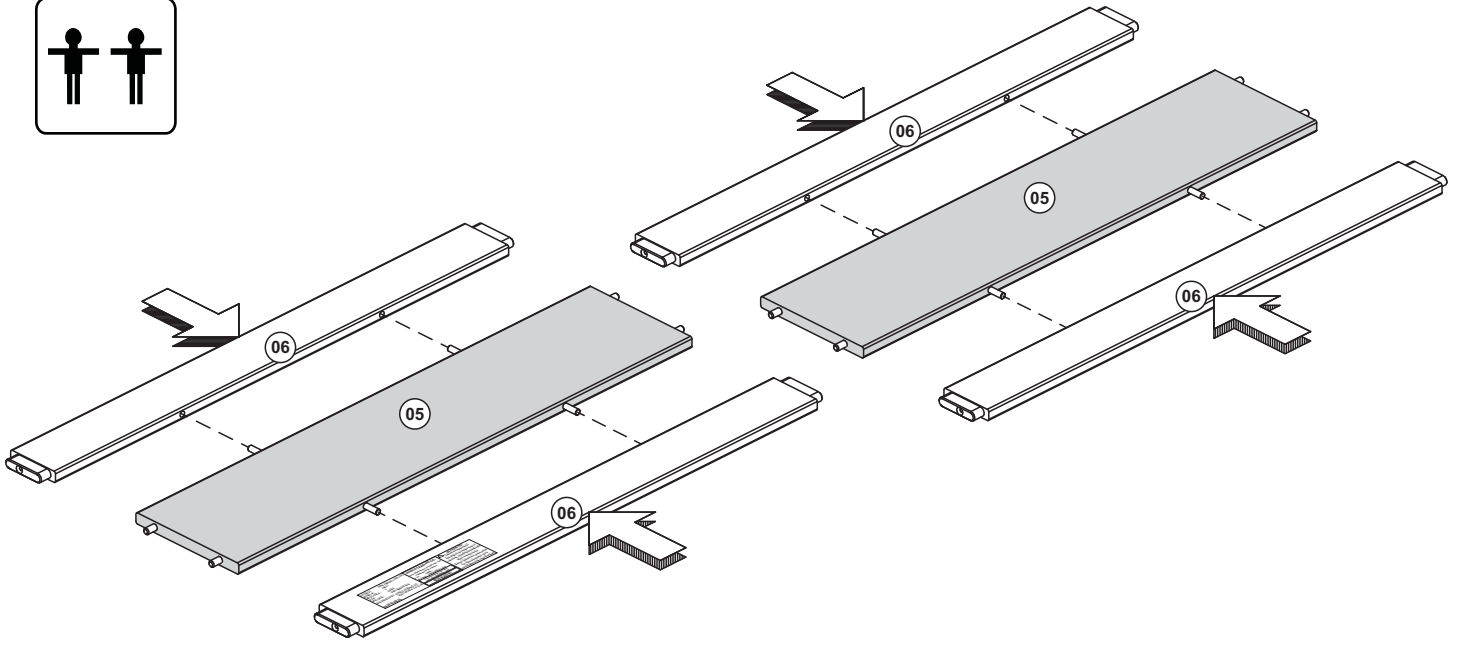
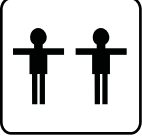
08

H




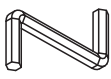


4mm

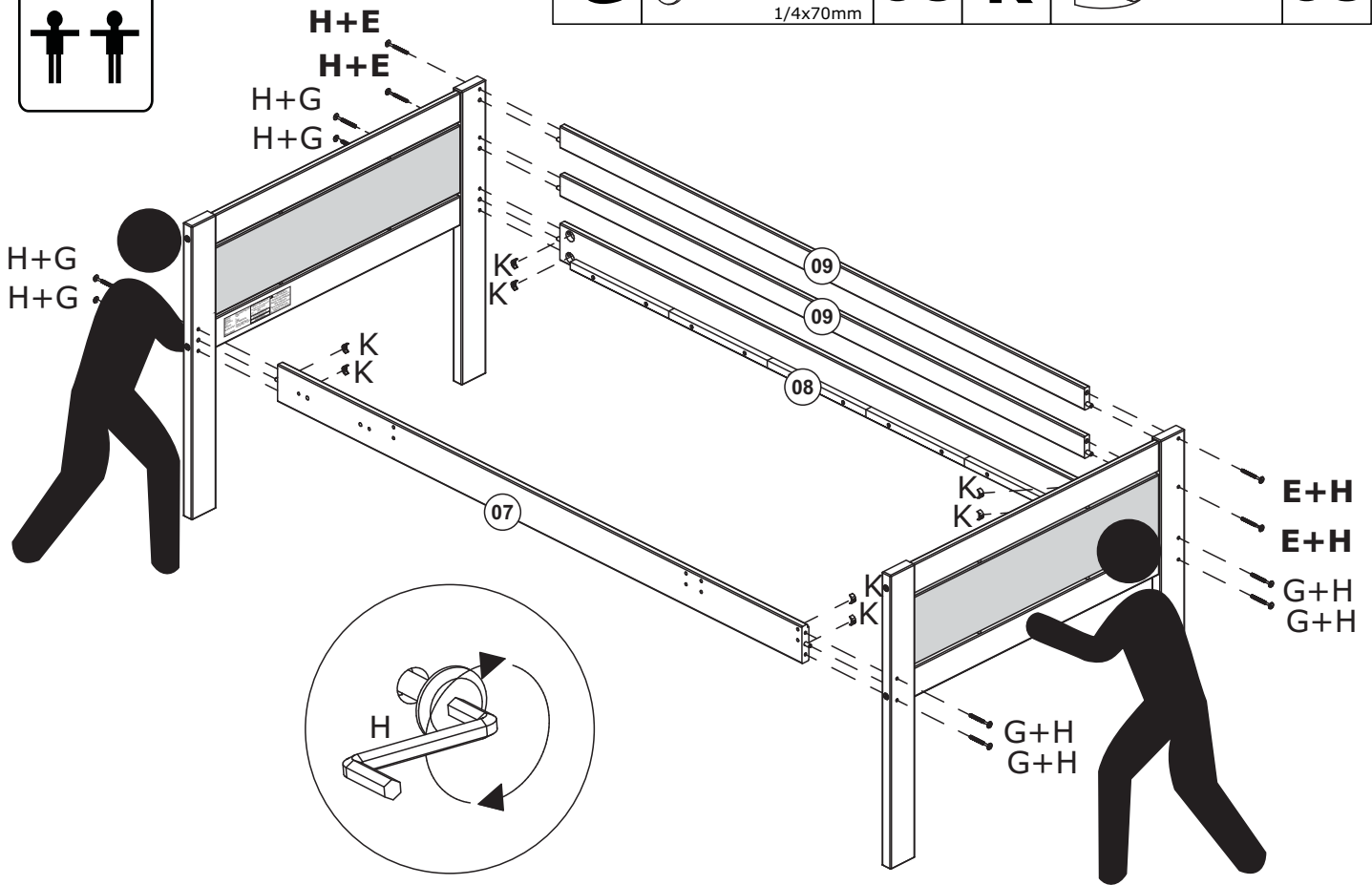
01




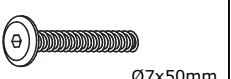
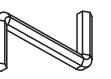
03



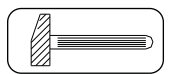
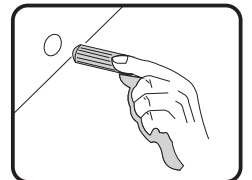
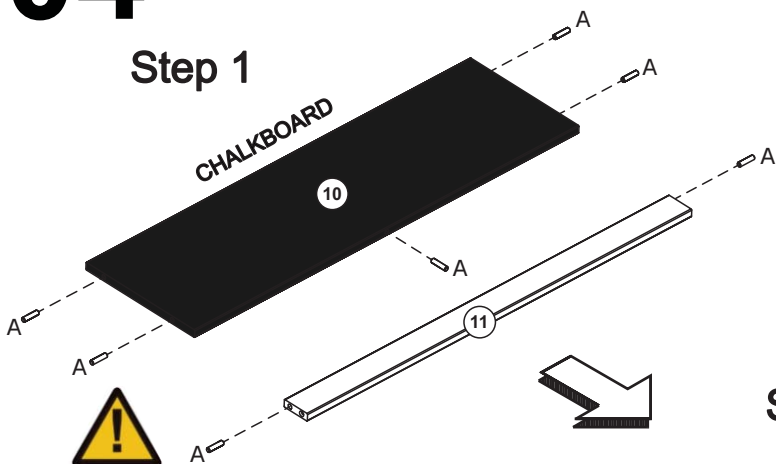
| | | | | | |
|----------|---|-----------|----------|---|-----------|
| E |  | 04 | H |  | 01 |
| G |  | 08 | K |  | 08 |



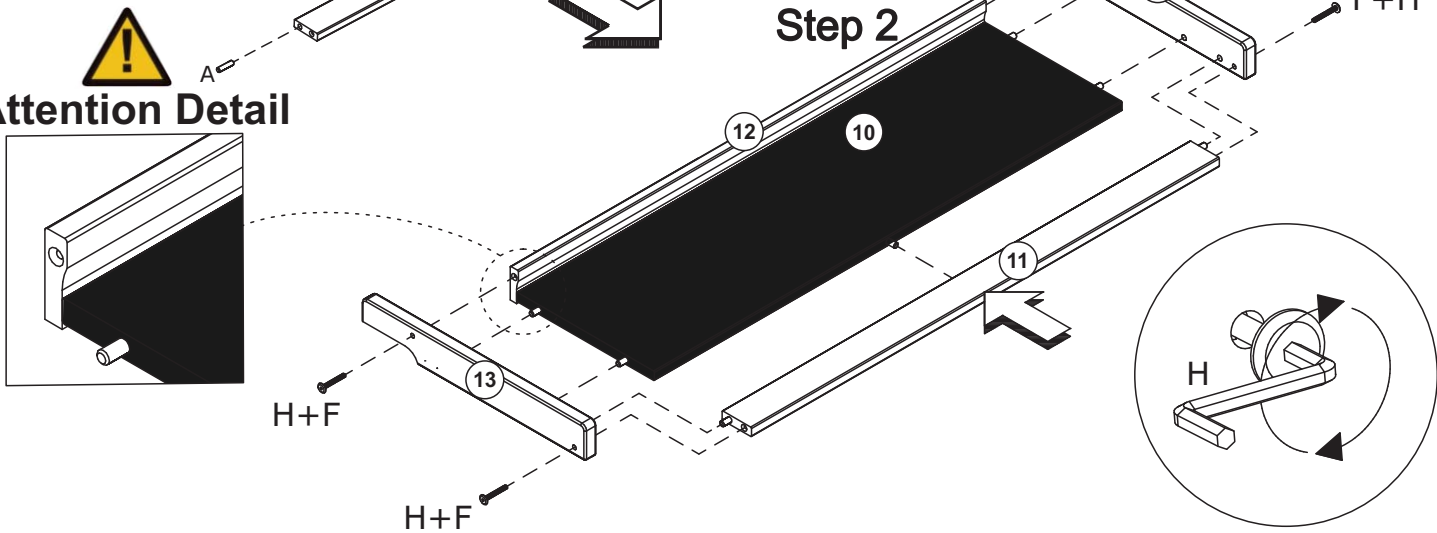
04

| | | | | | | | | |
|----------|---|-----------|----------|---|-----------|----------|---|-----------|
| A |  | 07 | F |  | 04 | H |  | 01 |
|----------|---|-----------|----------|---|-----------|----------|---|-----------|

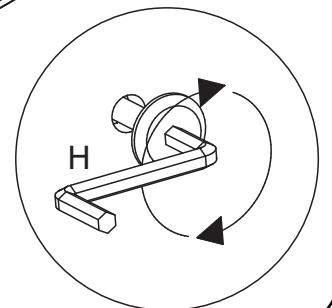
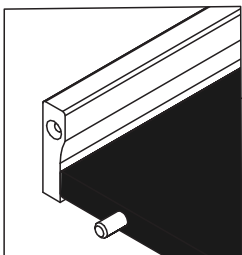
Step 1



Step 2





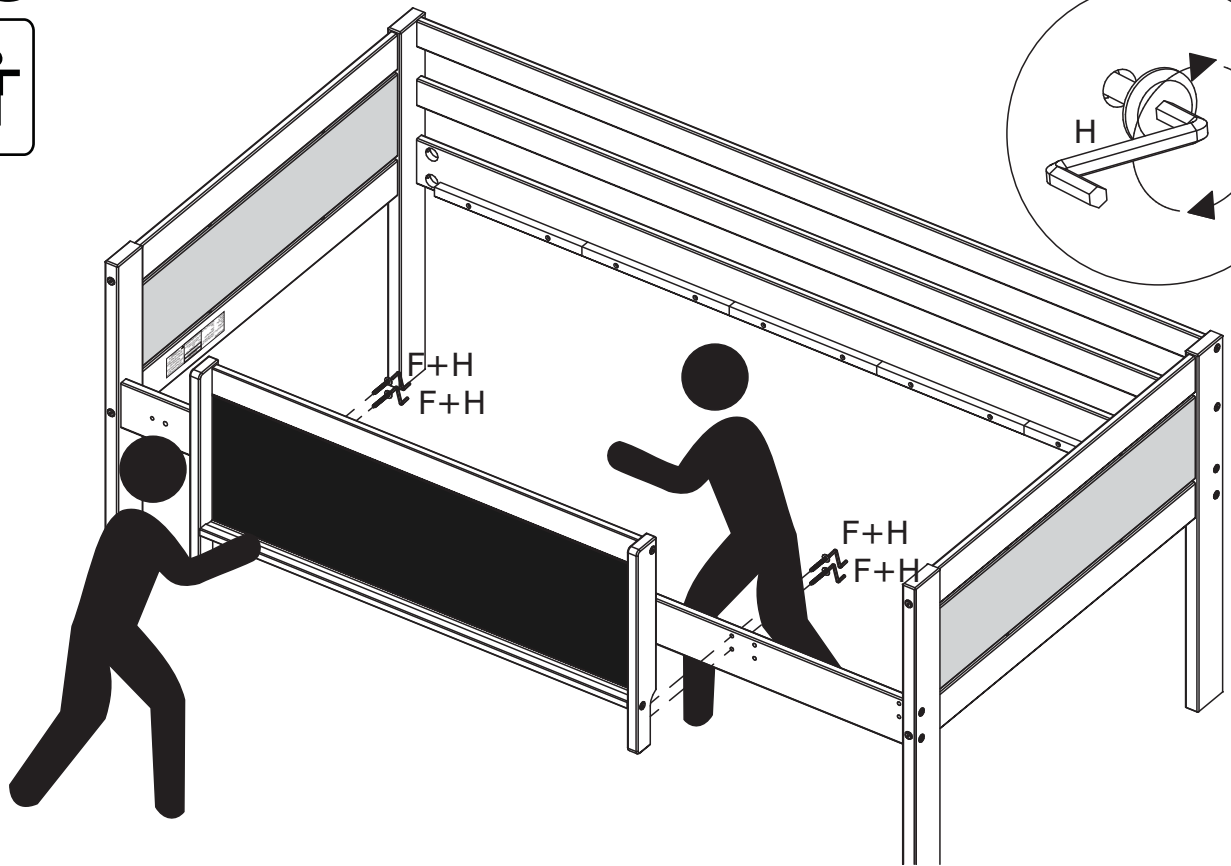
Attention Detail



05





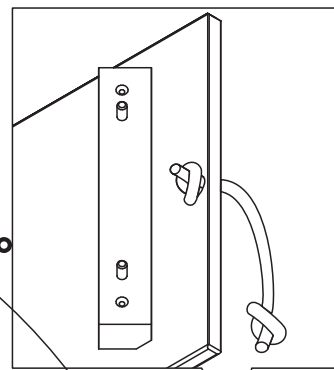
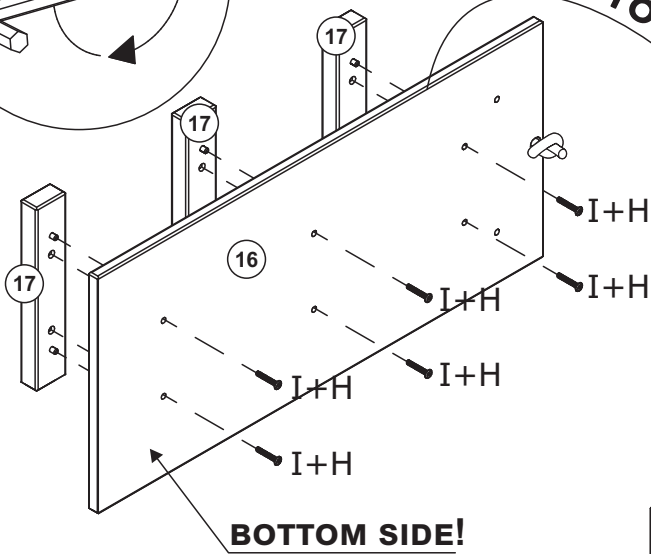
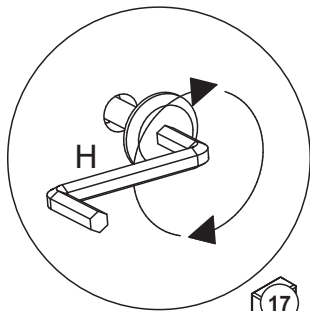
| | | | | | |
|----------|---|-----------|----------|---|-----------|
| F |  Ø7x50mm | 04 | H |  4mm | 01 |
|----------|---|-----------|----------|---|-----------|



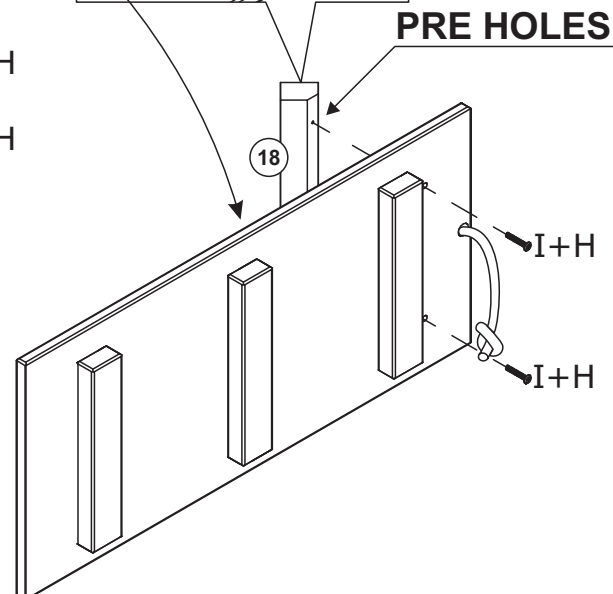
06

ACCESS

| | | | | | |
|----------|--|-----------|----------|--|-----------|
| H |  4mm | 01 | I |  Ø7x40mm (Ø13) | 08 |
|----------|--|-----------|----------|--|-----------|



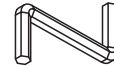

**Attention
Detail**



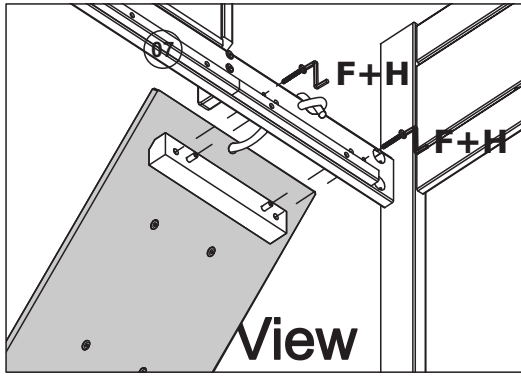
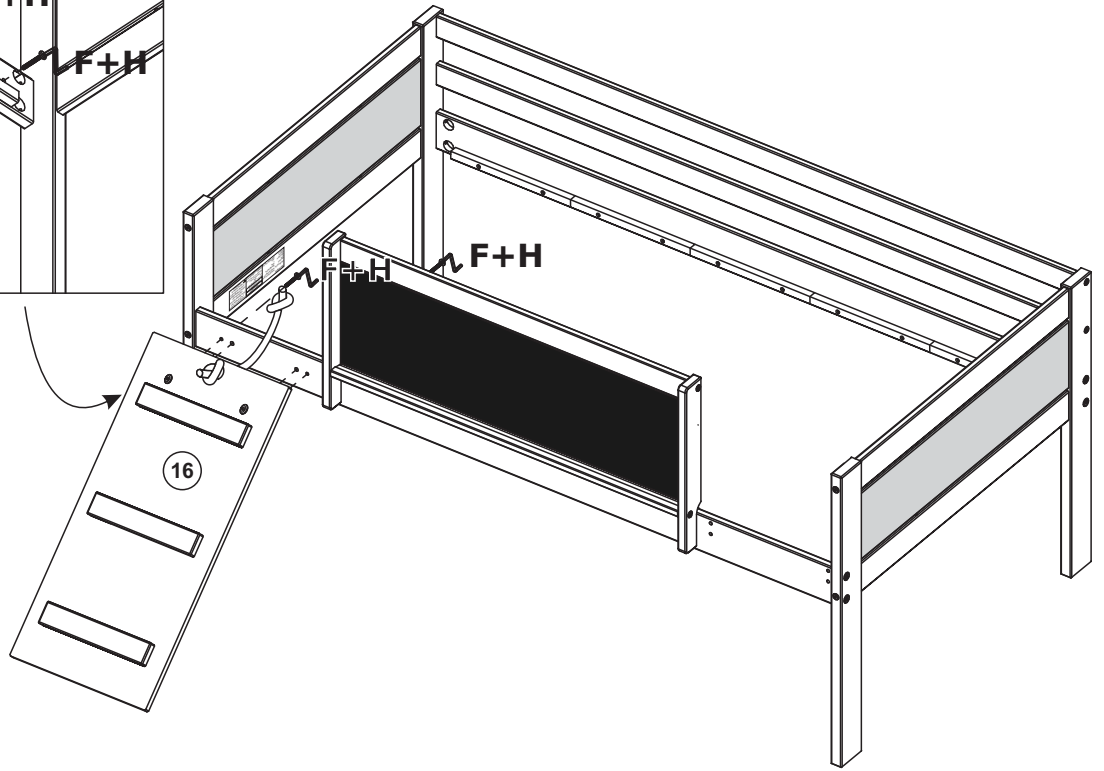
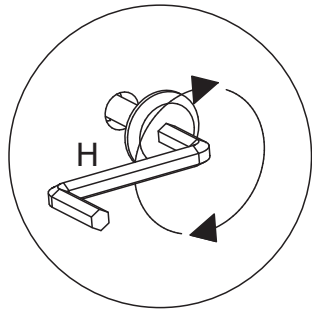
07

F

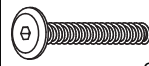
Ø7x50mm

02 H

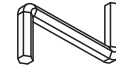
4mm

01**View**

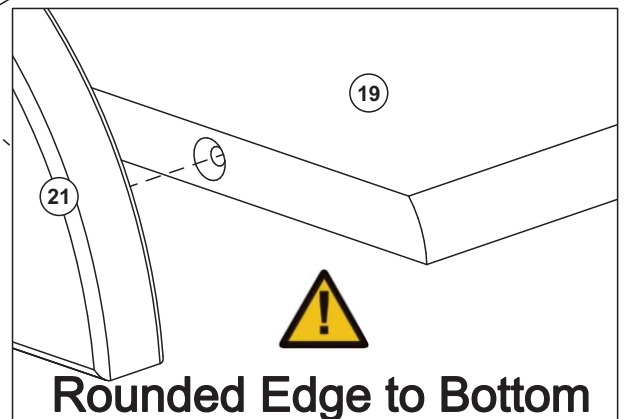
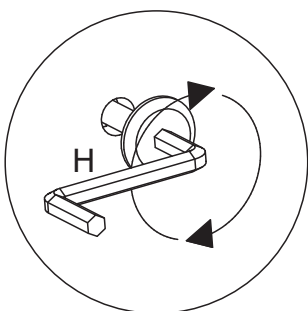
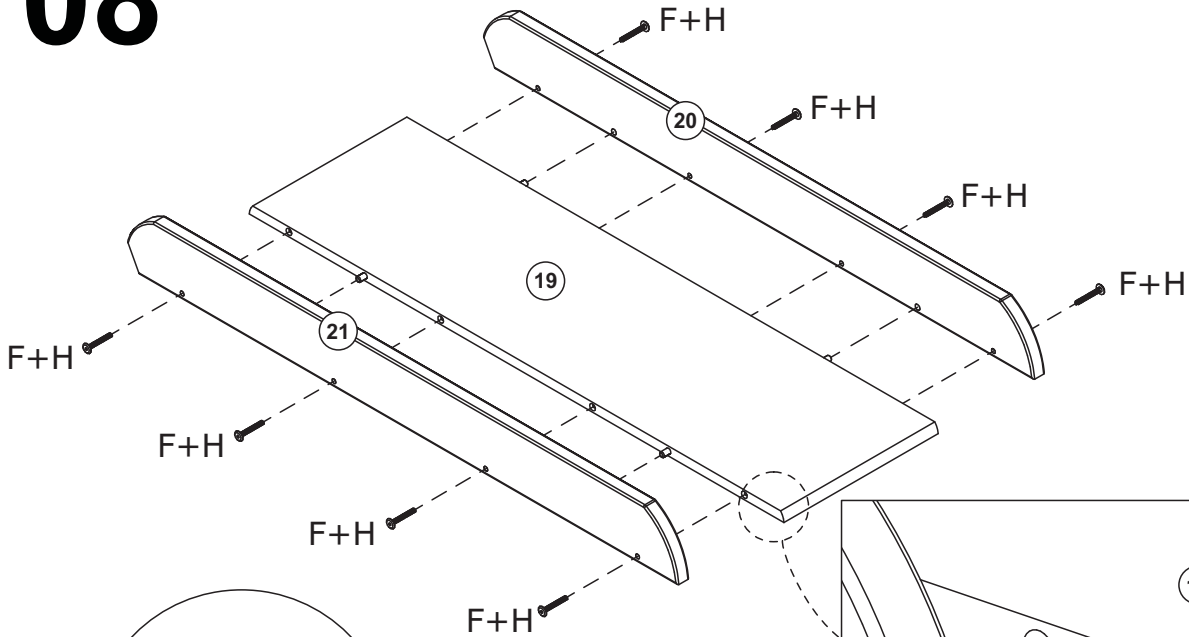
08

SLIDE**F**

Ø7x50mm

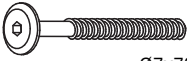

08 H

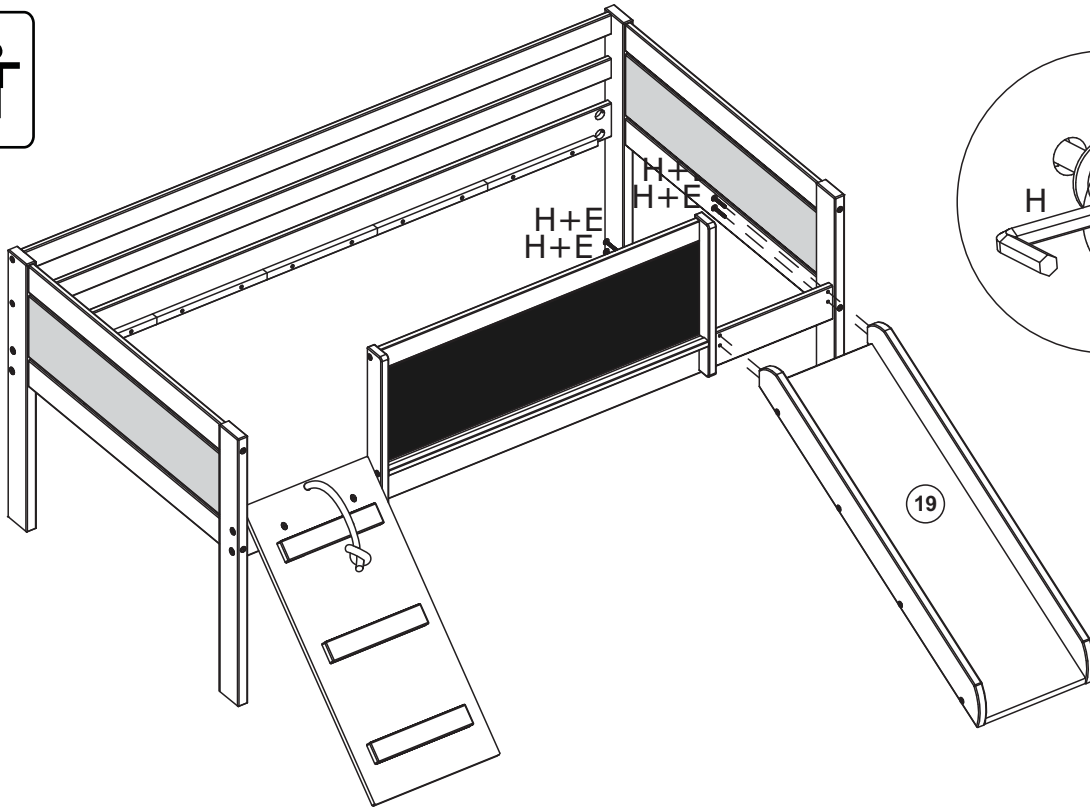
4mm

01**Rounded Edge to Bottom**


09

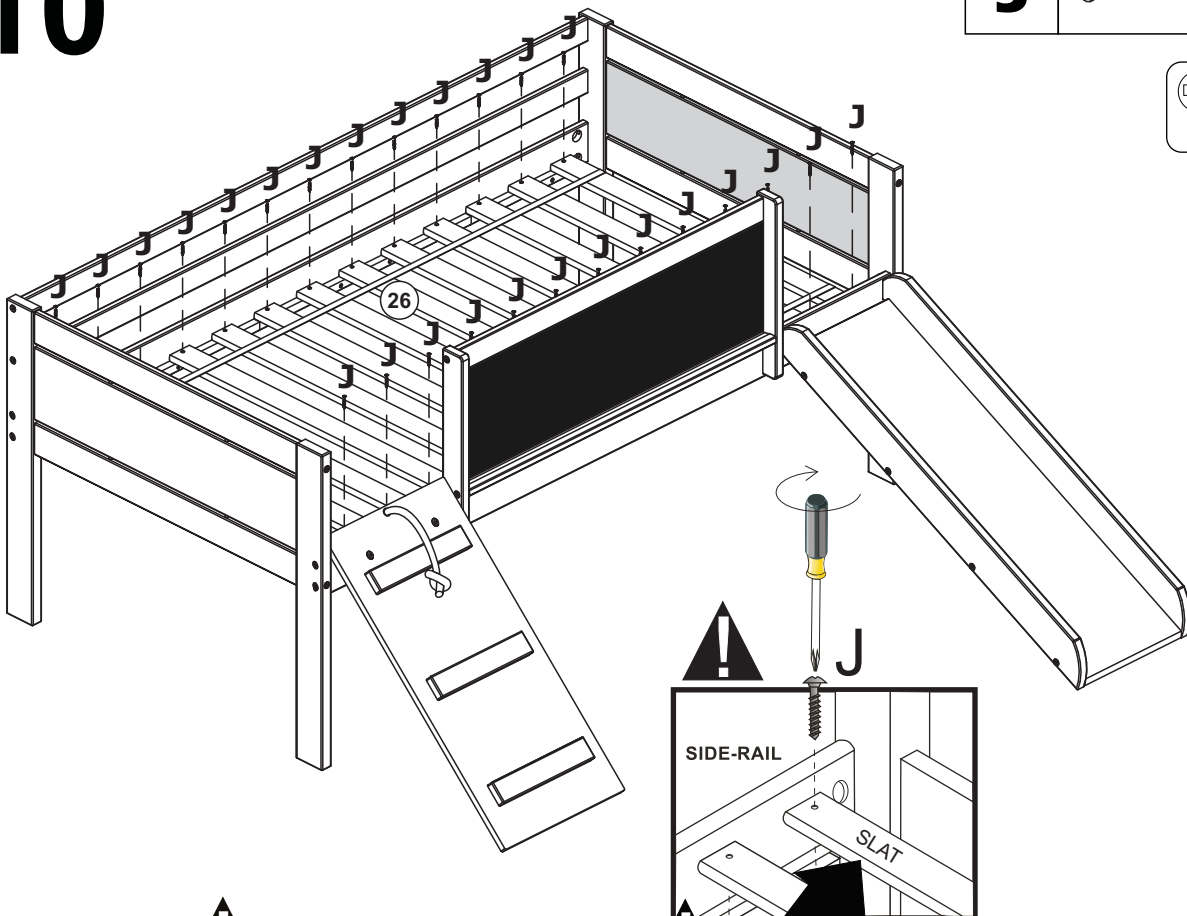
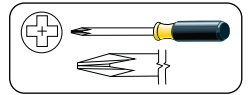


| | | | | | |
|----------|---|-----------|----------|---|-----------|
| E |  Ø7x70mm | 04 | H |  4mm | 01 |
|----------|---|-----------|----------|---|-----------|



10

| | | |
|----------|--|-----------|
| J |  Ø4x30mm | 26 |
|----------|--|-----------|



“INSTALL SLAT KIT WITH SPACER TAPE ON TOP(FACING UP)”

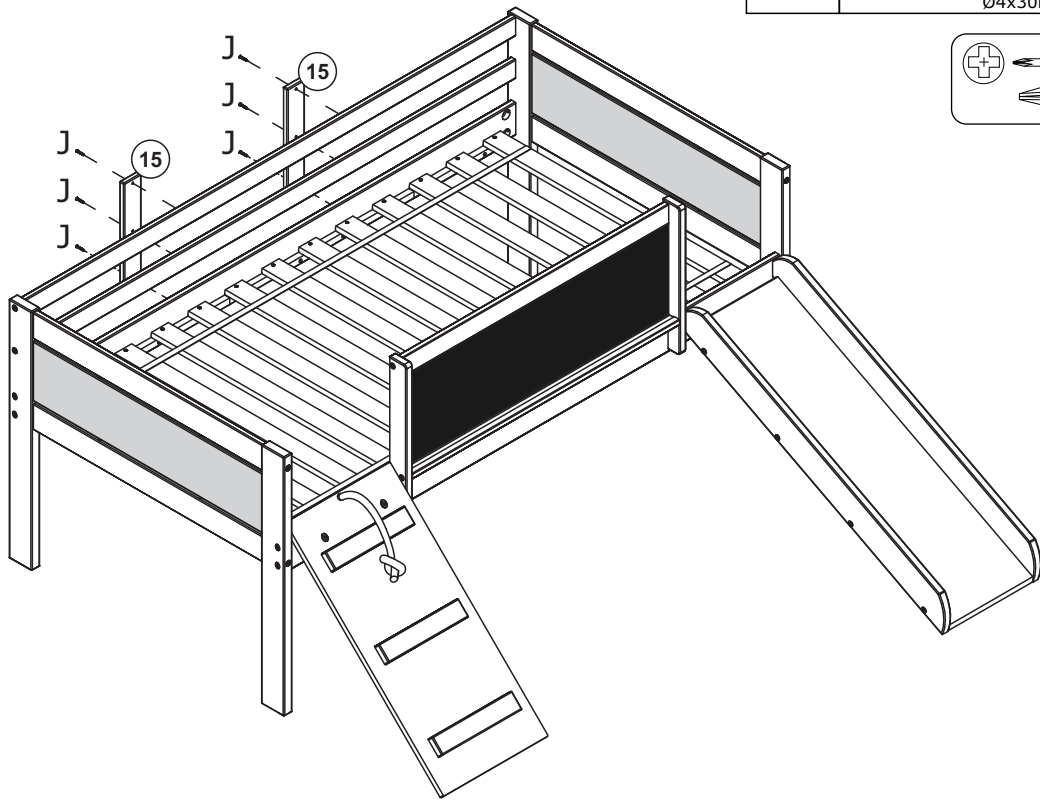
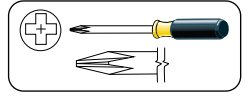


The first slats must be fixed at 3" from each headboard end.

11

J

Ø4x30mm

06

TOY BOX IS OPTIONAL

