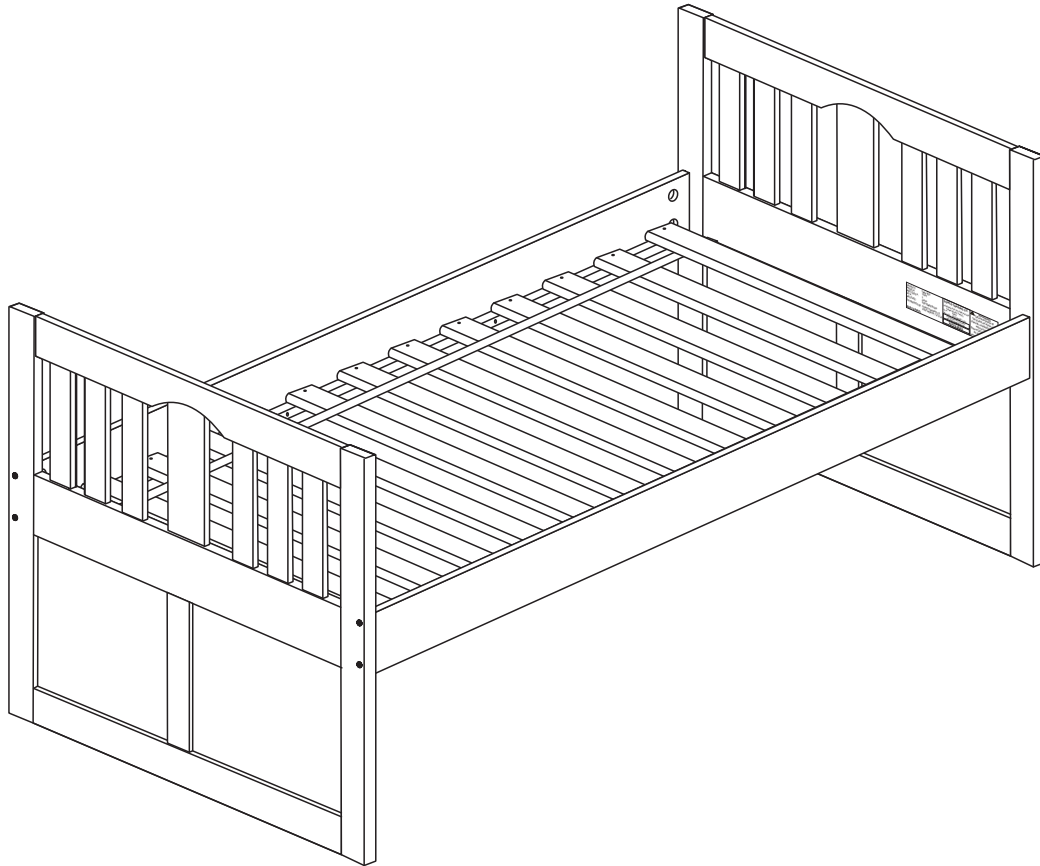


Fort Worth, Texas 76140

ASSEMBLY INSTRUCTIONS

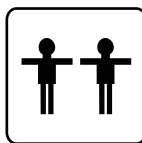
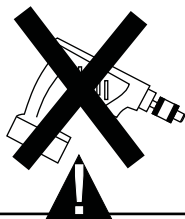
1200T - Twin bed



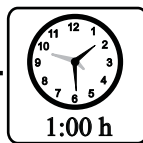
Thank you for purchasing this quality product. Be sure to check all packing material carefully for small parts which may have come loose inside the carton during shipment. Separate identify and count all parts and hardware.

Compare with the parts list to be sure all parts are present.

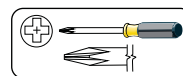
"DO NOT TIGHTEN SCREWS UNTIL COMPLETELY ASSEMBLED"



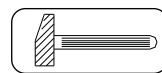
+



Tools Required



(Not included)



(Not included)

- * Use of power tool to assemble this product will invalidate any claim and damage this product making unsafe !!!
- * Please assemble on a clean soft surface to avoid damage.

IMPORTANT:

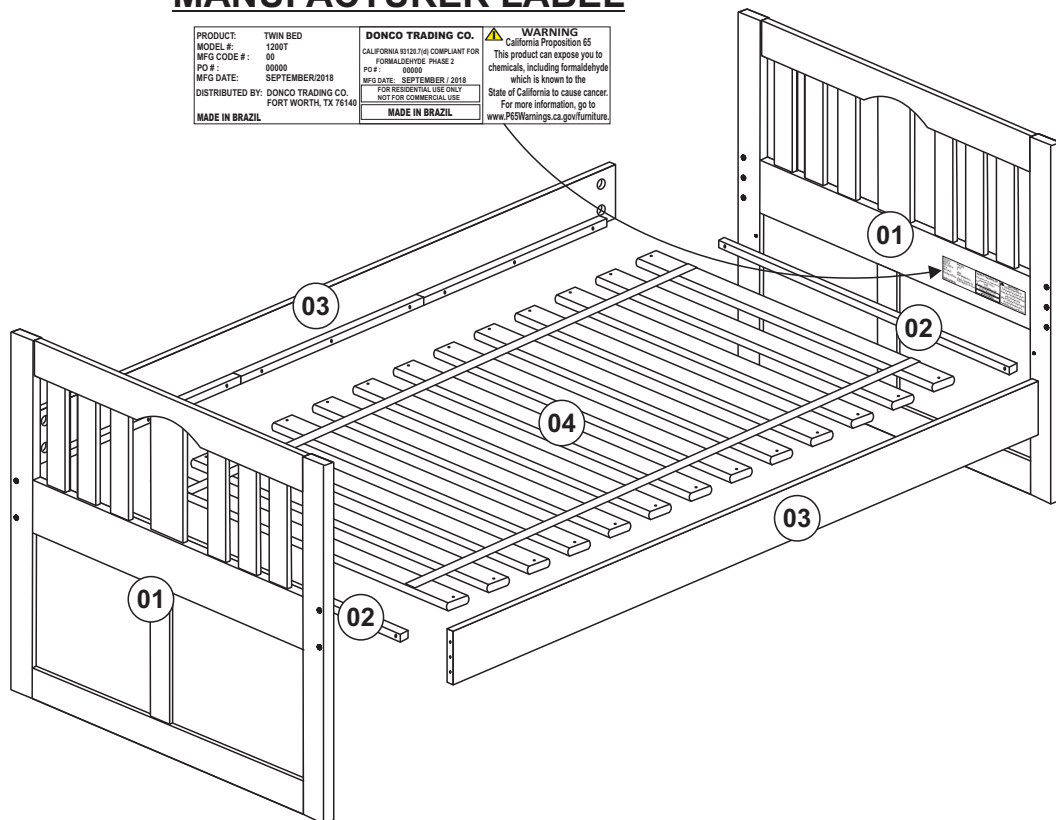
PLEASE READ INSTRUCTION BEFORE STARTING THE ASSEMBLY

Part list: 1200T - Twin bed

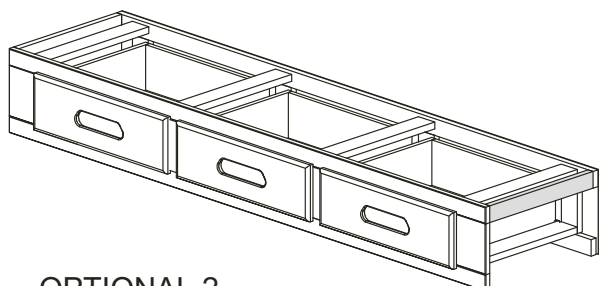


MANUFACTURER LABEL

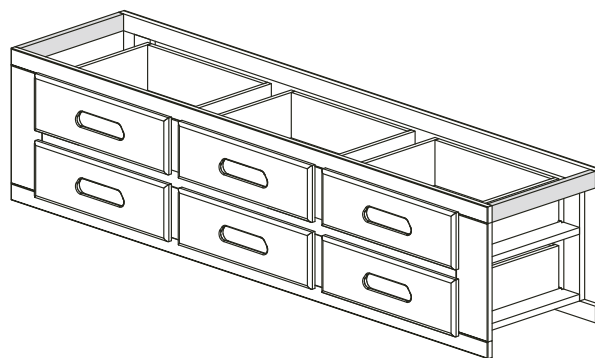
PRODUCT: TWIN BED	DONCO TRADING CO.	WARNING
MODEL #: 1200T	CALIFORNIA 8130.7(S) COMPLIANT FOR	California Proposition 65
MFG CODE #: 00	FORMALDEHYDE PHASE 2	This product can expose you to
PO #: 00000	FCF: 00000	chemicals, including formaldehyde
MFG DATE: SEPTEMBER/2018	MFG DATE: SEPTEMBER / 2018	which is known to the
DISTRIBUTED BY: DONCO TRADING CO.	FOR RESIDENTIAL USE ONLY	State of California to cause cancer.
FORT WORTH, TX 76140	NOT FOR COMMERCIAL USE	For more information, go to
MADE IN BRAZIL	MADE IN BRAZIL	www.P65Warnings.ca.gov/furniture



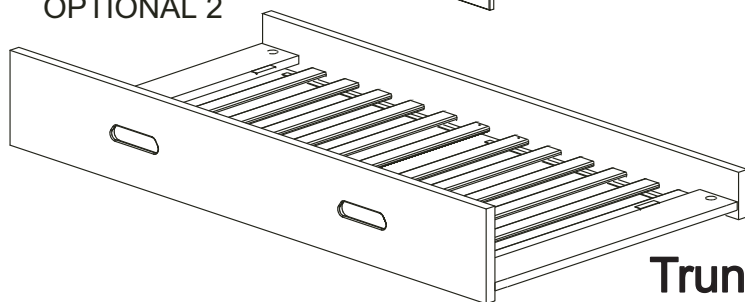
OPTIONAL 1



OPTIONAL 3




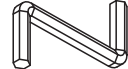




OPTIONAL 2



Drawers Set and Trundle Assembly Instructions and Hardwares in Optional 1, 2 and 3 box.

Identifying the Hardware-Identify the hardware using the illustrations below.

A	 Ø10x40mm	04	D	 Ø4x30mm	26
B	 1/4x70mm	08	E	 4mm	01
C		08	F	 Ø4x40mm	04

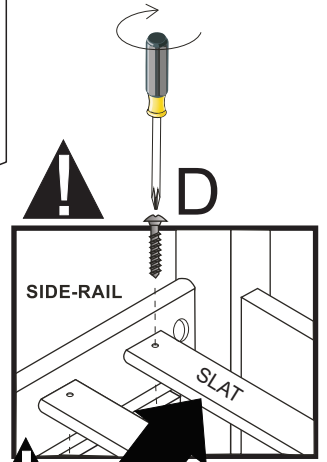
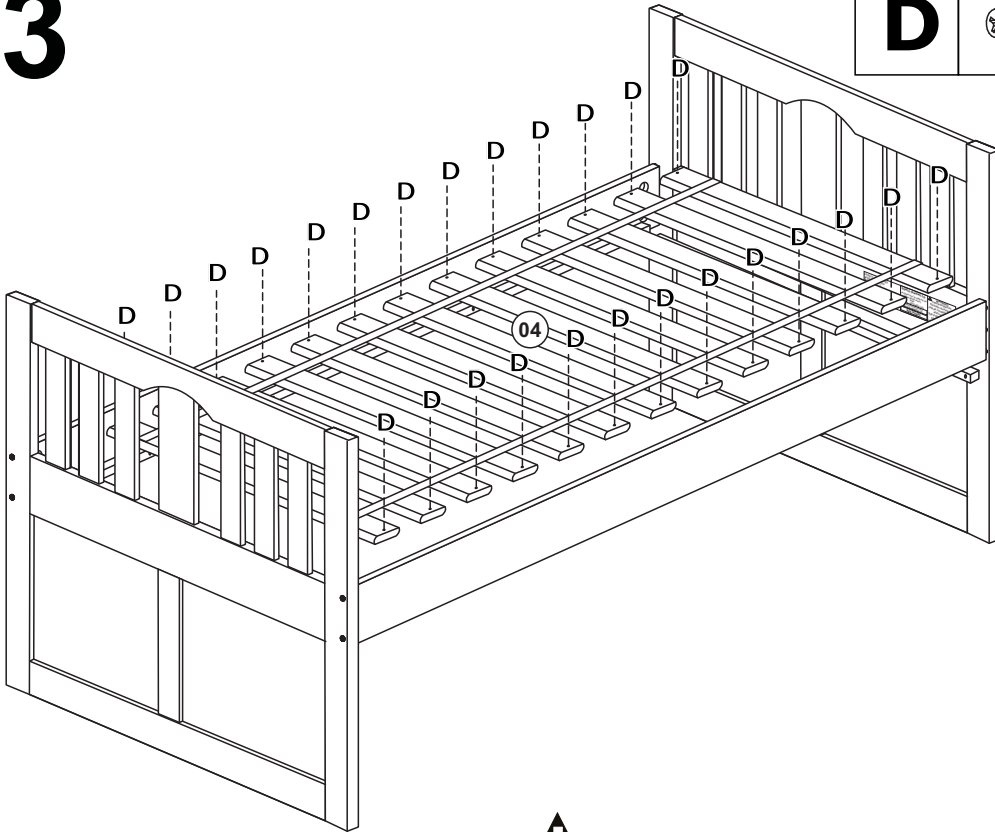
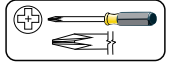
03

D



Ø4x30mm

26



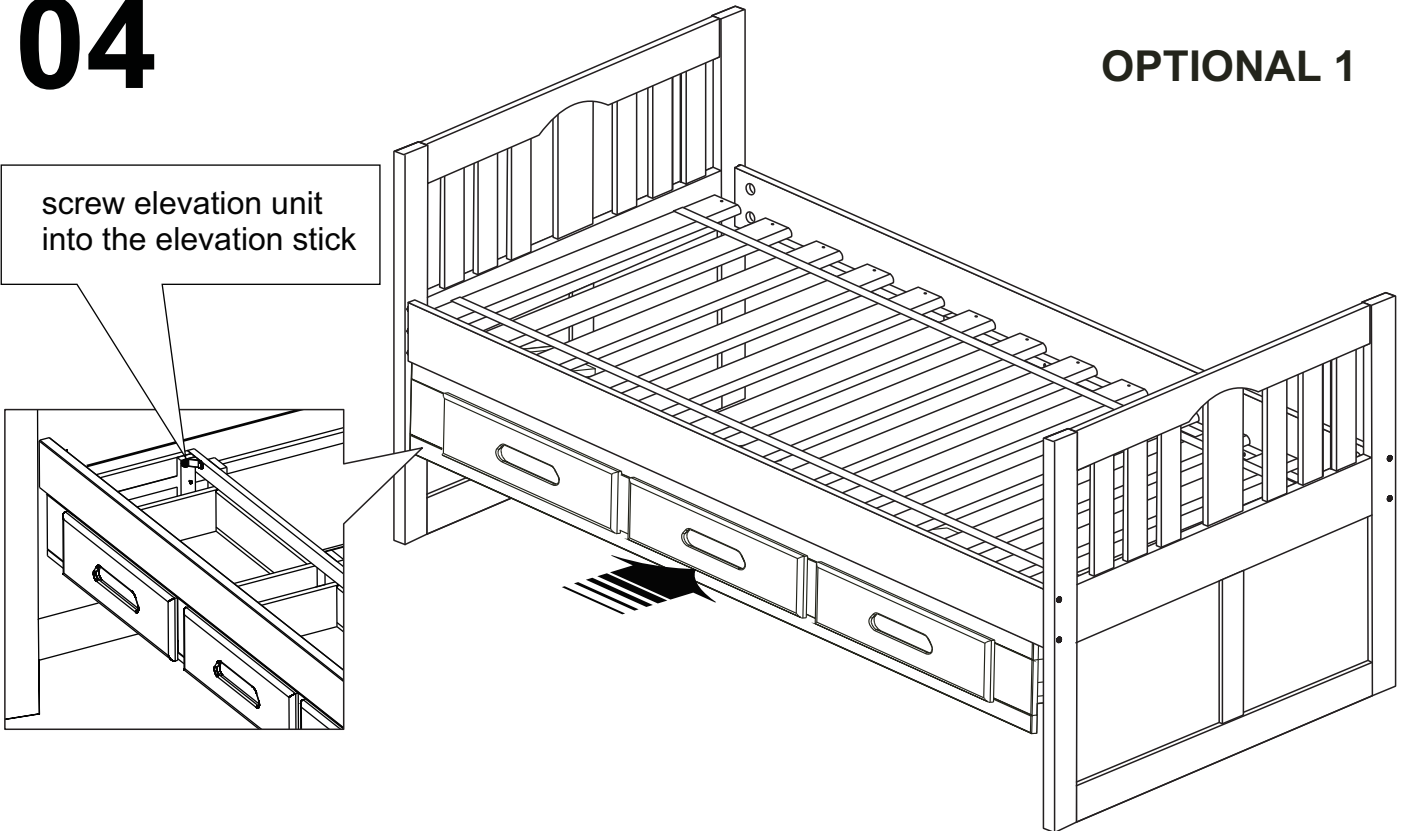
“INSTALL SLAT KIT WITH SPACER TAPE ON TOP(FACING UP)”

The first slats must be fixed at 3" from each headboard end.

04

OPTIONAL 1

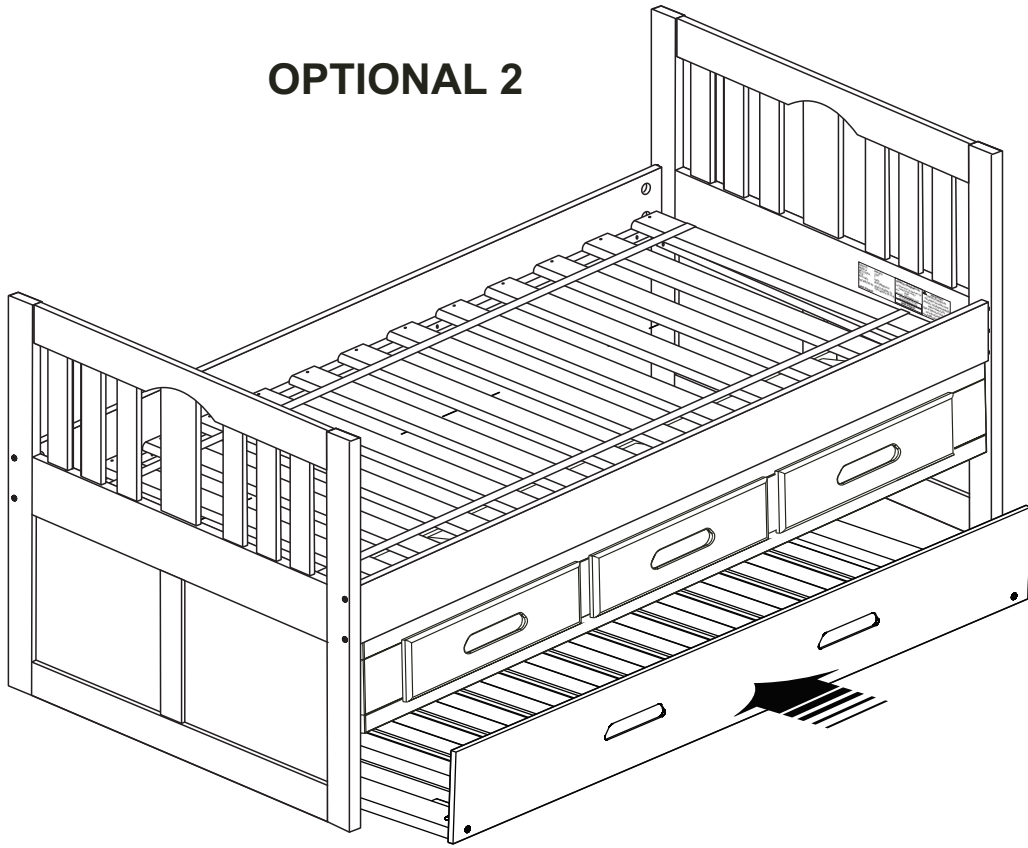
screw elevation unit into the elevation stick



Drawers Set Instructions and Hardwares in Optional 1 Box

05

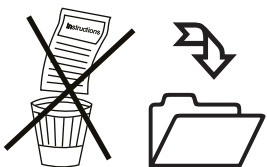
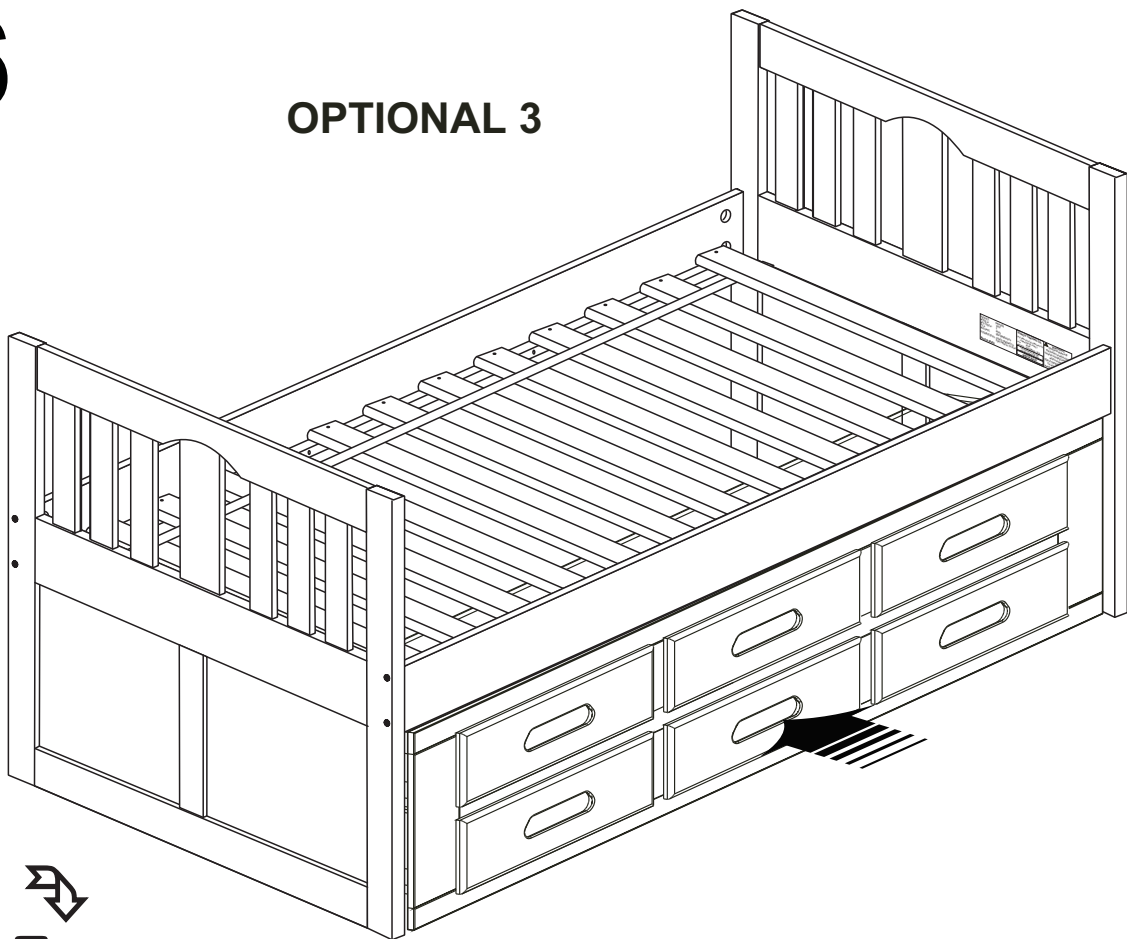
OPTIONAL 2



Trundle Instructions and Hardwares in Optional 2 Box

06

OPTIONAL 3



Drawers Set Instructions and Hardwares in Optional 3 Box