



Model: 0518 TWIN FULL BUNK BED

SAFETY WARNINGS

1. Follow the information on the warnings appearing on the upper bunk end structure and on the carton. Do not remove warning label from bed
2. Always use the recommended size mattress or mattress support, or both, to help prevent the likelihood of entrapment or falls.
3. Surface of mattress must be at least 5 inches (127mm) below the upper edge of guardrails.
4. Do not allow children under 6 years of age to use the upper bunk
5. Prohibit more than one person on the upper bunk
6. Periodically, check and ensure that the guardrail, ladder, and other components are in their proper position, free from damage, and that all connectors are tight
7. Do not allow horseplay on or under the bed and prohibit jumping on the bed
8. Always use the ladder for entering and leaving the upper bunk.
9. Do not use substitute parts. Contact the manufacturer or dealer for replacement parts.
10. Use of a nightlight may provide added safety precaution for a child using the upper bunk.
11. Always use guardrail on both long sides of the upper bunk. If bunk bed will be placed next to the wall, the guardrail that runs the full length of the bed should be placed against the wall to prevent entrapment between the bed and wall.
12. The use of water or sleep flotation mattresses is prohibited.
13. Keep these instructions for future reference.

STRANGULATION HAZARD

Never attach or hang items to any part of the bunk bed that are not designed for use with the bed; for example, but not limited to, hooks, belts and jump ropes.

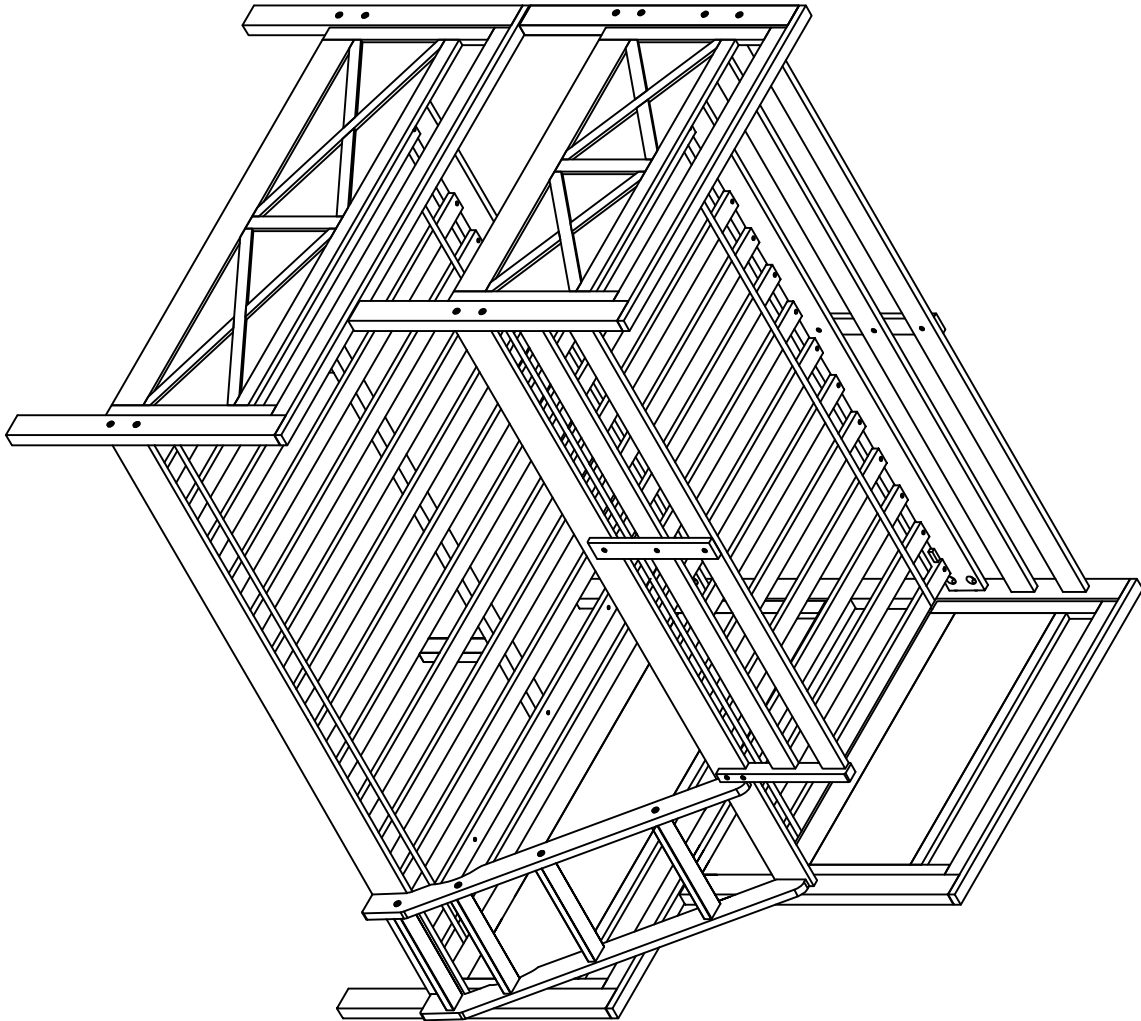
SIZE OF MATTRESS AND FOUNDATION

Use only mattress which is 74" - 75" long and 37 1/2" - 38 1/2" wide on twin upper bunk
Use only mattress which is 74" - 75" long and 52 1/2" - 53 1/2" wide on full lower bunk
Ensure thickness of mattress and foundation combined does not exceed 8" and mattress and is at least 5" below upper edge of guardrails.

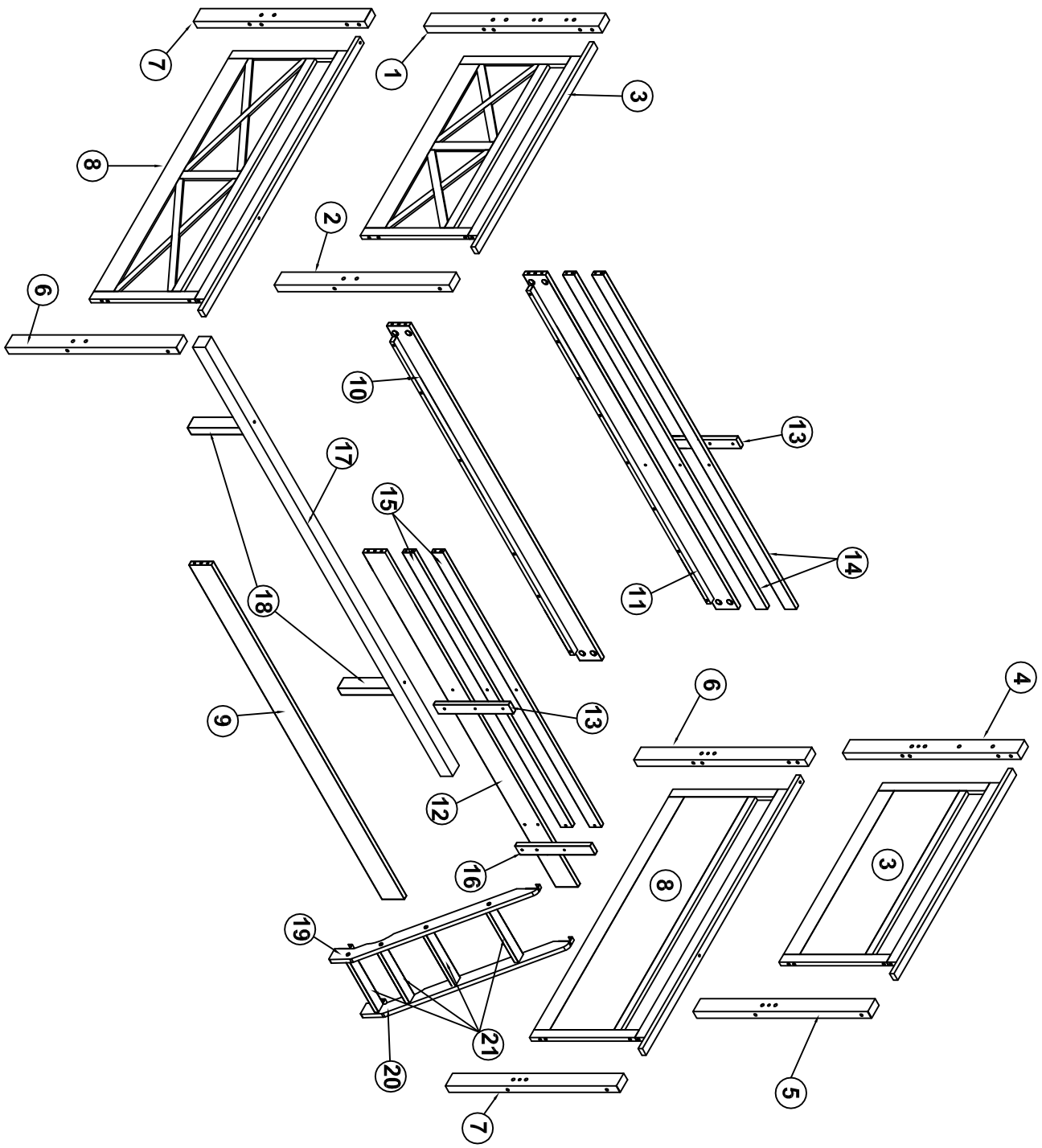
Replacement parts, maybe obtained from any Donco dealer or directly from us at the below address.

6801 Snowden Road Fort
Worth, Texas 76140

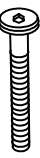



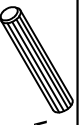







ASSEMBLY INSTRUCTIONS - 0518 TWIN FULL BUNK BED



ASSEMBLY INSTRUCTIONS - 0518 TWIN FULL BUNK BED

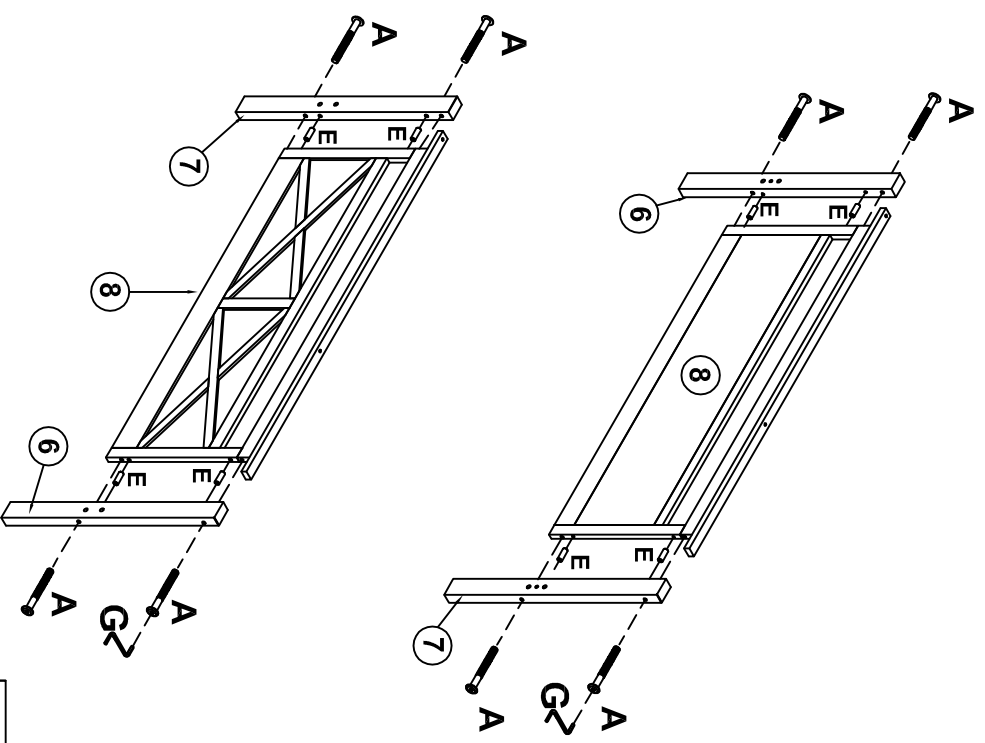


COMPLETE HARDWARES LIST

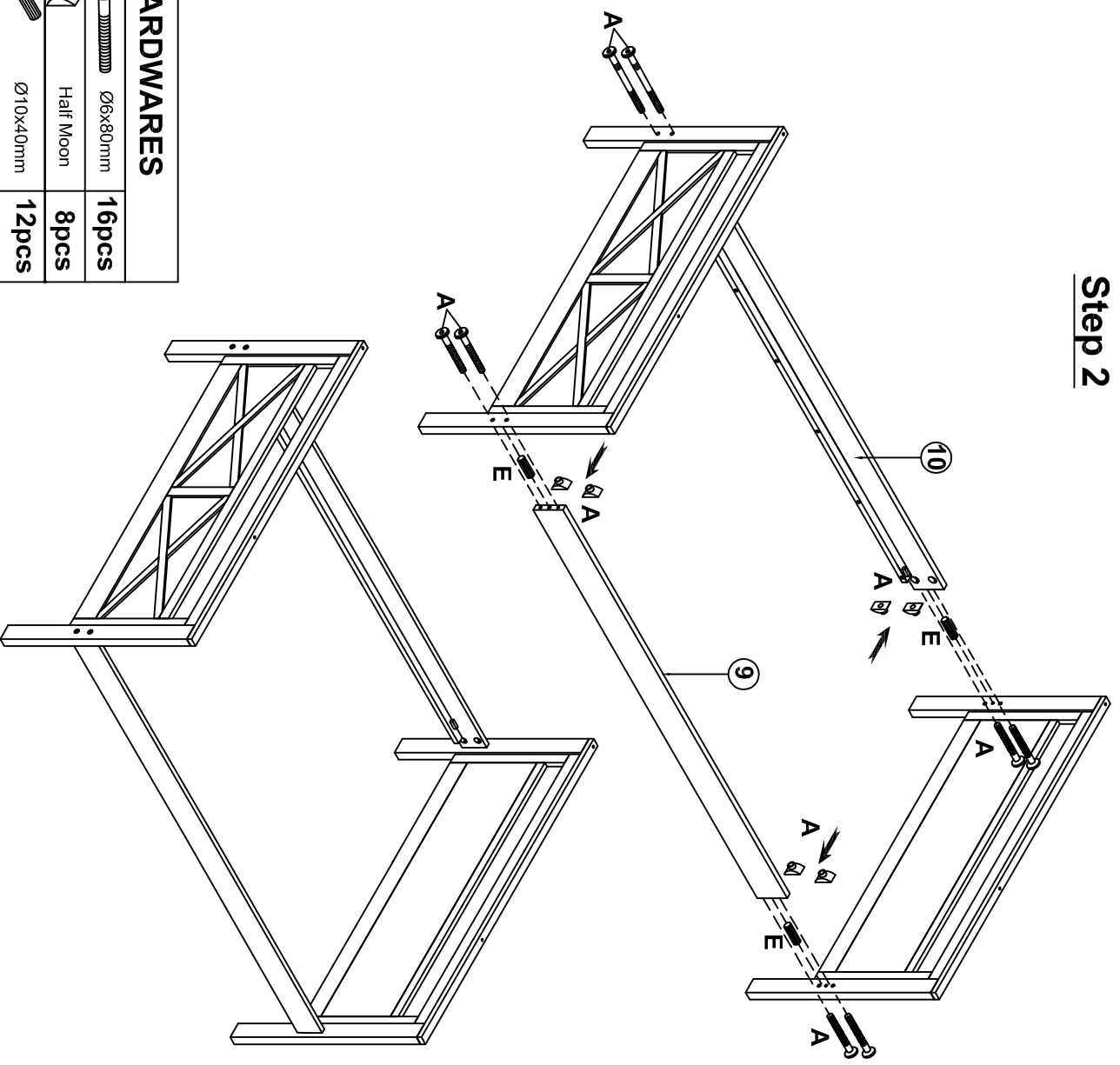
A	 Ø6x80mm	32pcs
	 Half Moon	16pcs
B	 Ø6x50mm	8pcs
C	 Ø6x70mm	8pcs
	 Wood Dowel Ø12x110mm	4pcs
D	 Ø10x40mm	48pcs
E	 Ø4x30mm	58pcs
F	 Allen Key	1pc
G	 Ø6x35mm	8pcs
	 Female Half Moon	8pcs
I		4pcs
J	 Ø4x20mm	12pcs

ASSEMBLY INSTRUCTIONS - 0518 TWIN FULL BUNK BED




Step 1



Step 2

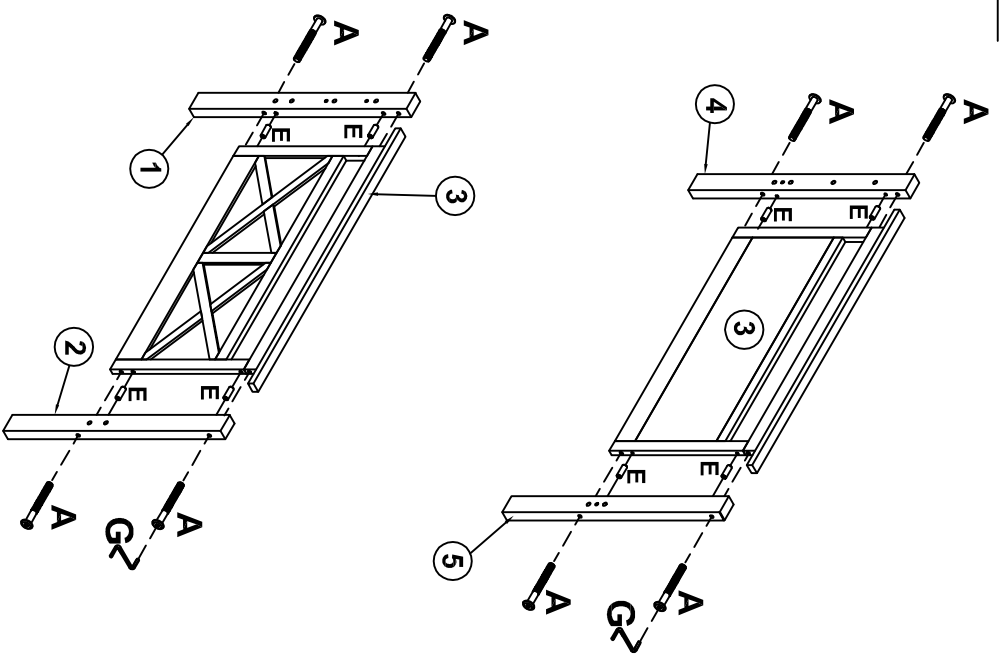


HARDWARES

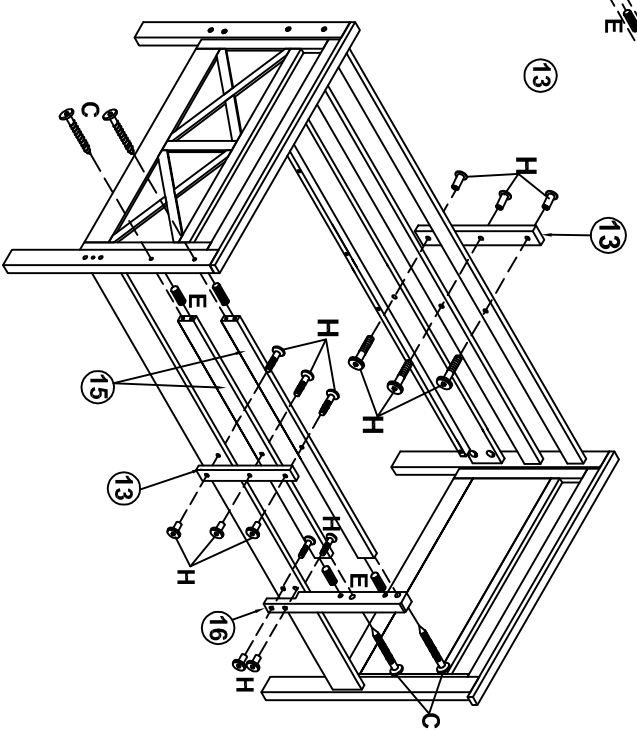
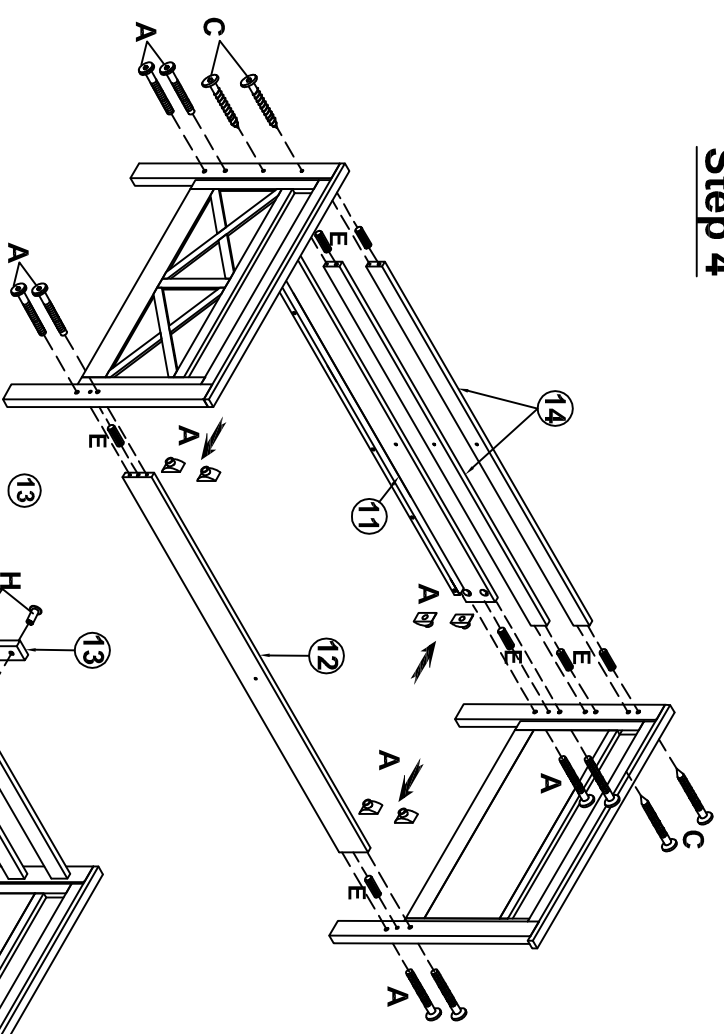
A	 Ø6x80mm	16pcs
E	 Half Moon Ø10x40mm	8pcs 12pcs
G	 Allen Key	1pc

ASSEMBLY INSTRUCTIONS - 0518 TWIN FULL BUNK BED

Step 3



Step 4

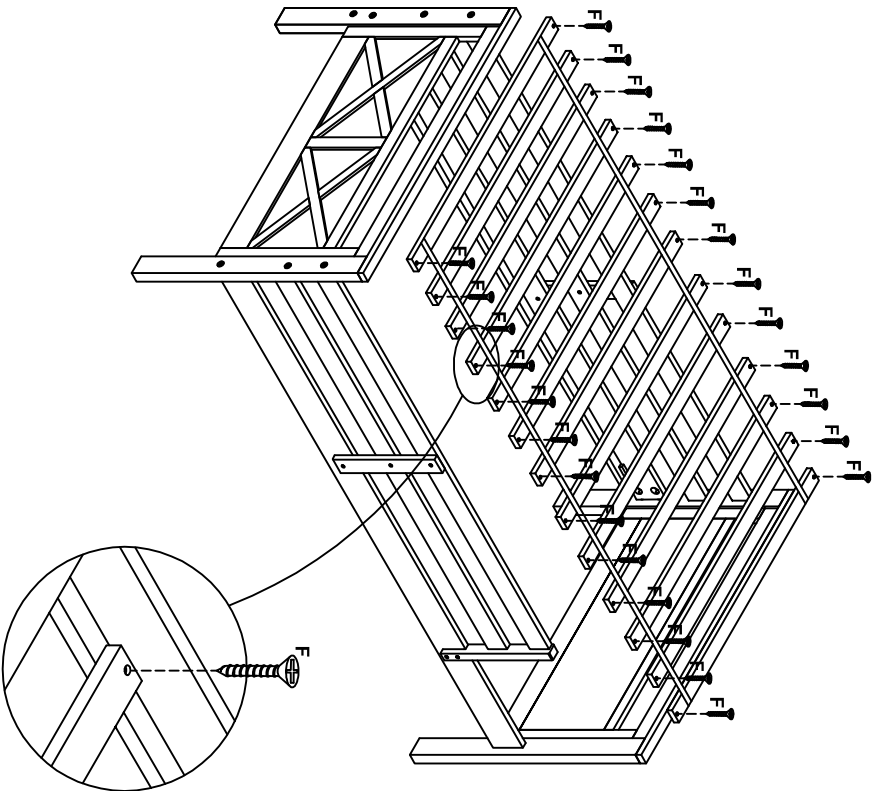


HARDWARES		
A		Ø6x80mm 16pcs
A		Half Moon 8pcs
C		Ø6x70mm 8pcs
E		Ø10x40mm 20pcs
G		Allen Key 1pc
H		Ø6x30mm 8pcs
		Female Half Moon 8pcs

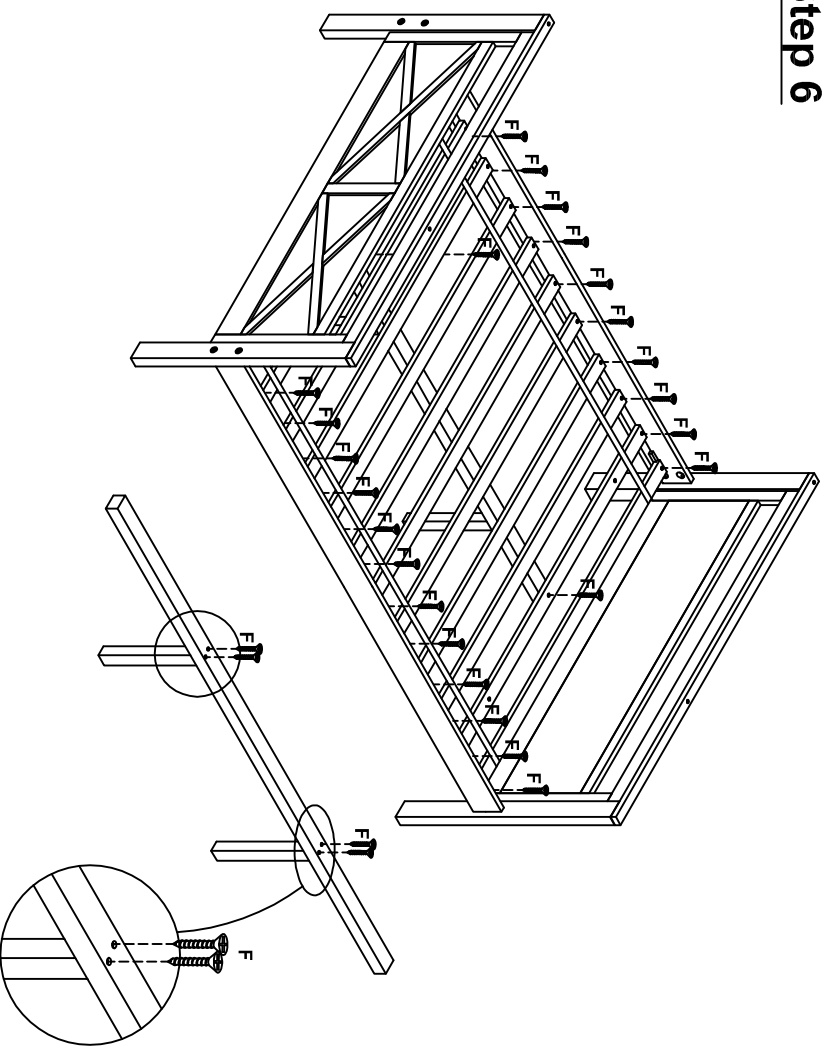
ASSEMBLY INSTRUCTIONS - 0518 TWIN FULL BUNK BED

Important : Assembly instructions for 8 or 24 slat options are located in slat box

Step 5




Step 6



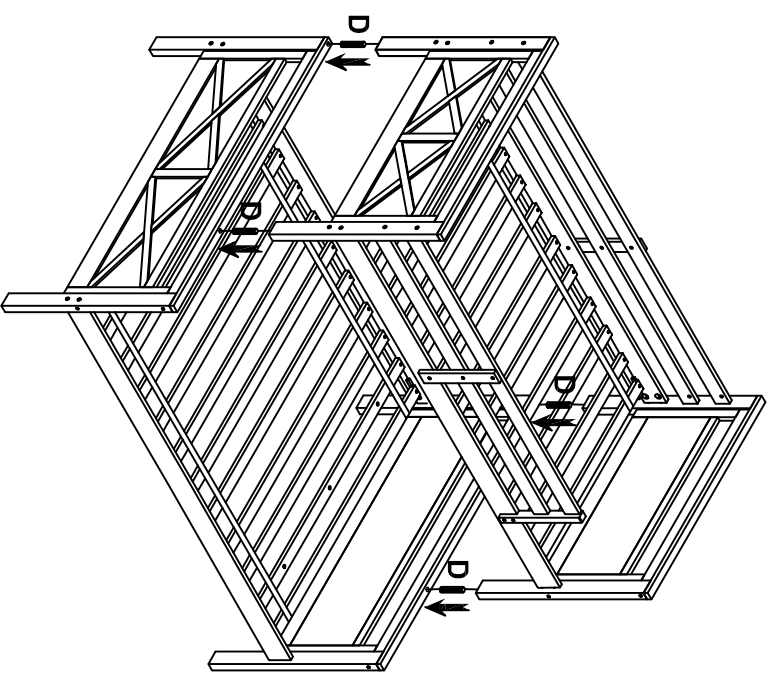
- NOTED:** Center Support Rail for Full bed has low attachment positions
- 1, For use with Storage Drawers (Support in the center of the Slats)
 - 2, For use with a Trundle Bed (Support is toward the back end of the slats)
 - 3, Either position can be used if you do not plan to use either a Trundle or Storage Drawers

HARDWARES

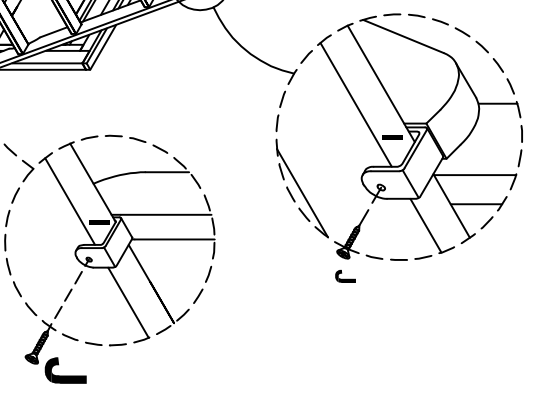
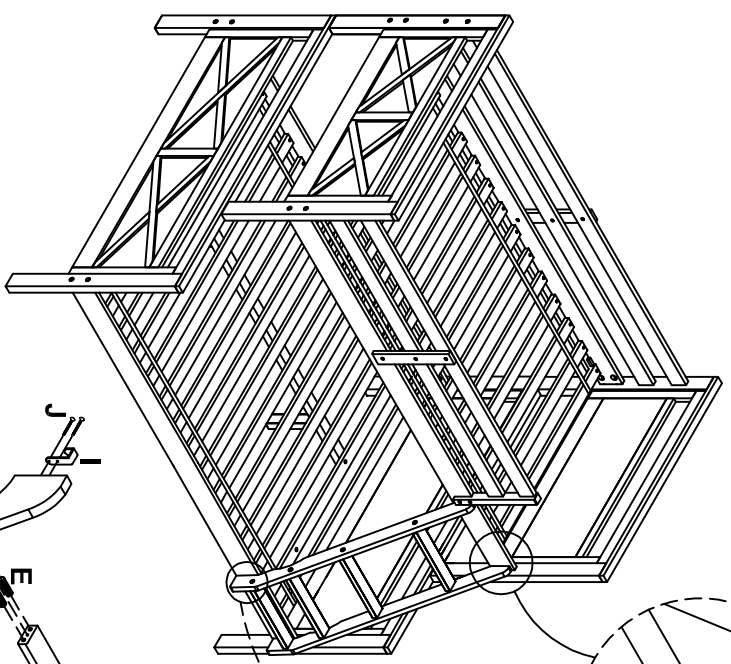
F		Ø4x25mm	58pcs
----------	---	---------	--------------

ASSEMBLY INSTRUCTIONS - 0518 TWIN FULL BUNK BED

Step 7



Step 8



HARDWARES-STEP 7+8	
B	Ø6x50mm 8pcs
D	Ø12x110mm Wood dowel 4pcs
E	Ø10x40mm 16pcs
G	Allen Key 1pc
I	4pcs
J	Ø4x20mm 12pcs

