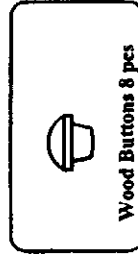
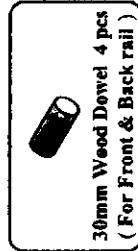
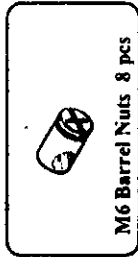
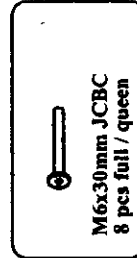
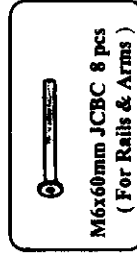
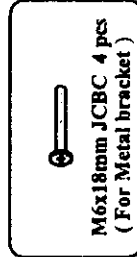
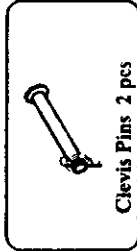
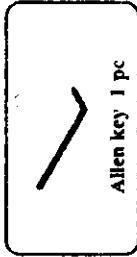


Assembly Instructions

Page 1 of 4

Parts in this box :



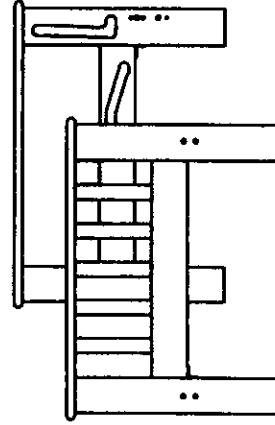
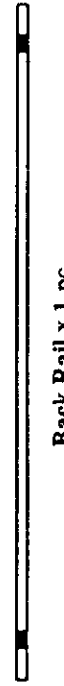
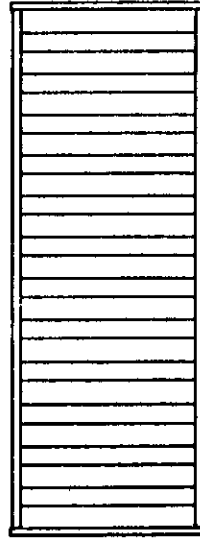
Components :

For Size :

CHAIR
LOVESEAT
FULL
QUEEN

NOTE :

1. These Assembly Instructions show Full size frame assembly. Procedure is the same for all size.
2. Your arm style may vary from the one shown. Procedure is the same for styles.



Seat deck x 1 pc



- 2 pcs (full & queen)
For Back Deck



- 2 pcs (full & queen)
For Seat Deck

Assembly Instructions

Before beginning the actual assembly of your futon frame, make sure that all of the parts described on the front page are included in your futon's box.

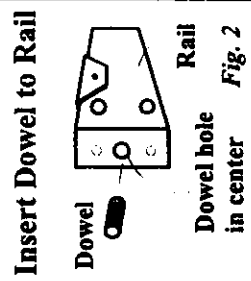
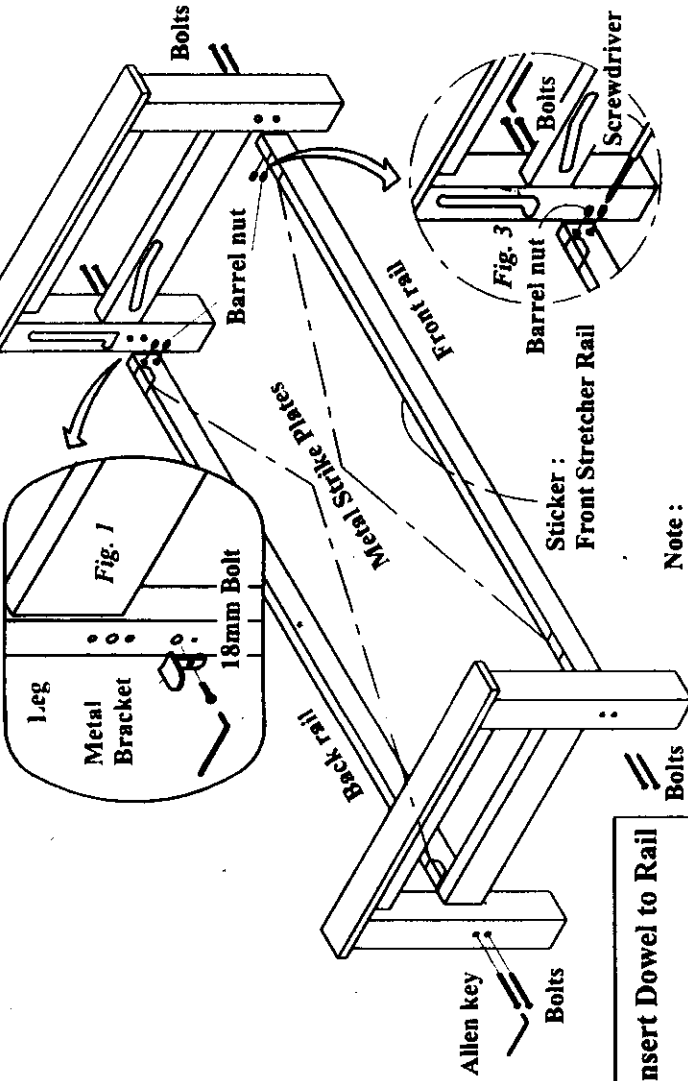
STEP 1

ASSEMBLE BRACKET & RAILS TO ARM

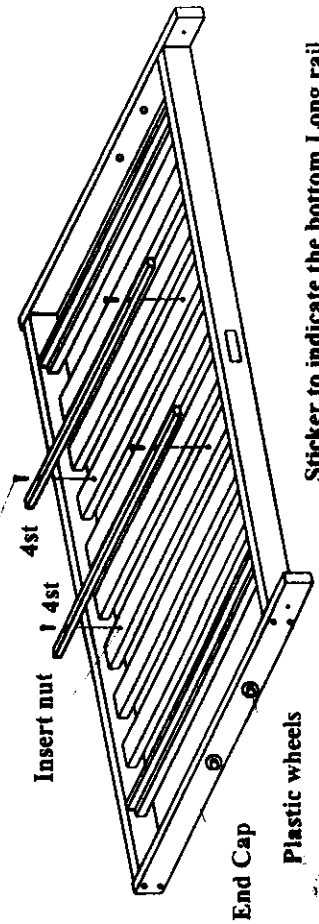
1. Using the allen key attach the brackets to the bottom holes of the inside leg of the arm as shown in *fig. 1*
2. Insert wood dowel to the end of each stretcher rail as shown in *fig. 2*
3. Using the 60mm & barrel nut assemble the stretcher rail to the arms as shown in *fig. 3*

- The front and back rails are marked differently.
- All metal brackets on the rails are face up.
- Do not tighten until the back is inserted into the frame.

Install the Metal Bracket to Arm



Slat support (Customer assemble)



Sticker to indicate the bottom Long rail

STEP 2

Placement of Slat Supports

1. Turn seat decks upside down.
2. Fit Slat supports into the decks
3. Assembly to 4st Slats from each end. (Full / Queen size)
4. Screw 30mm bolts into insert nuts provided on slats.

NOTE

- The carved out Slat support place in Seat Deck
- The Seat Deck is the shorter of the two Decks.

Assembly Instructions

Page 3 of 4

STEP 3

FIT BACK DECK INTO POSITION

1. Place the Back Deck between both bifold arms. Fit the wheel into the grooves in the arms.
2. Insert one end first, then gently lower the other end into position.
3. When you have the Back deck-fitted lying flat, tighten all the Bolts. From the back, lift the Back Deck to up right as illustrated.
4. Gently insert wood button to cover the bolt hole

NOTE :

This step can be tricky - it is best with two people.

Label shows top side

Note :

1. Guide the plastic wheel into the arm grooves.
2. Be carefull not to scratch the arms with the plastic wheel.

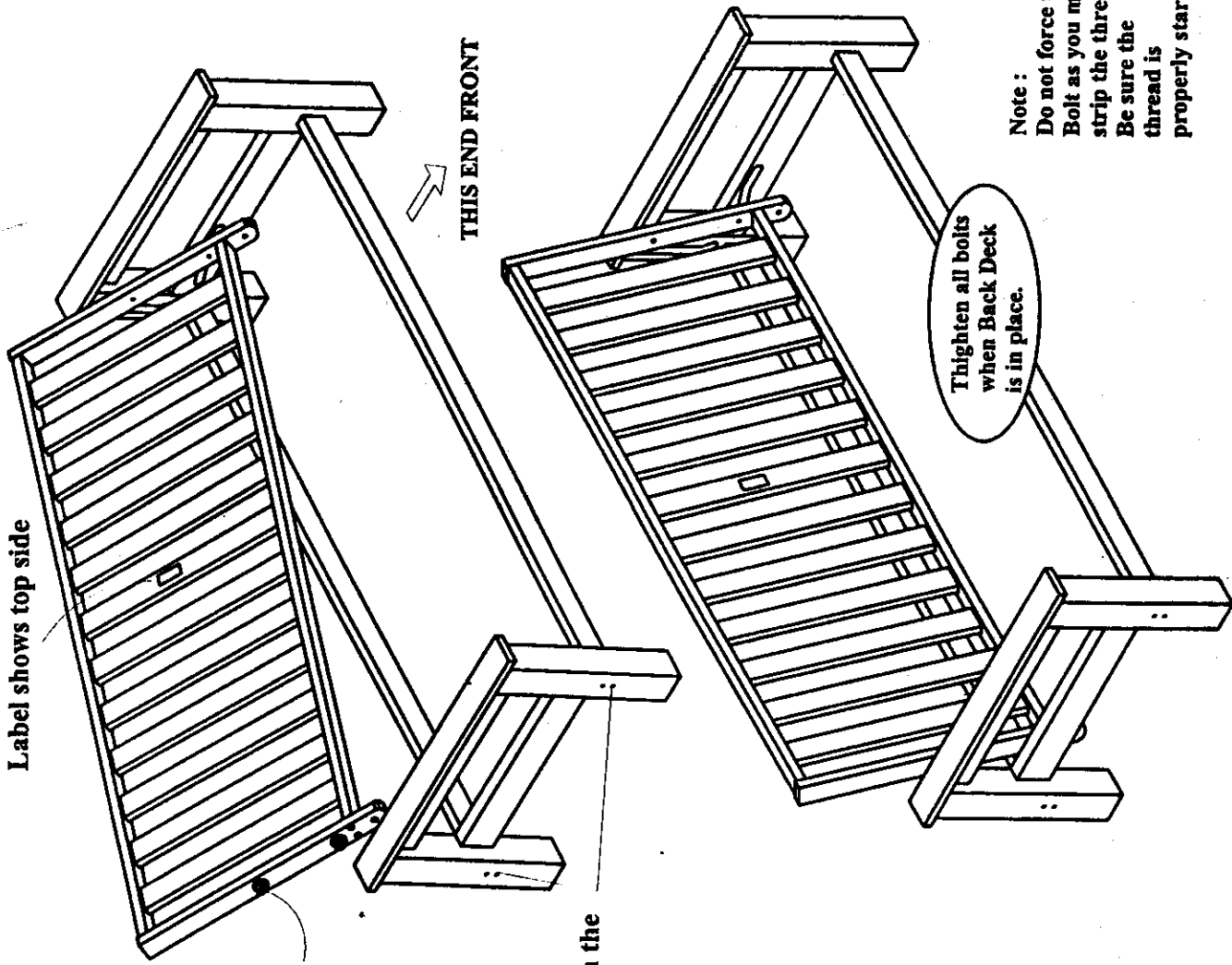
Ensure bolts on the Arms are loose

THIS END FRONT

Note :

Do not force the Bolt as you may strip the thread. Be sure the thread is properly started.

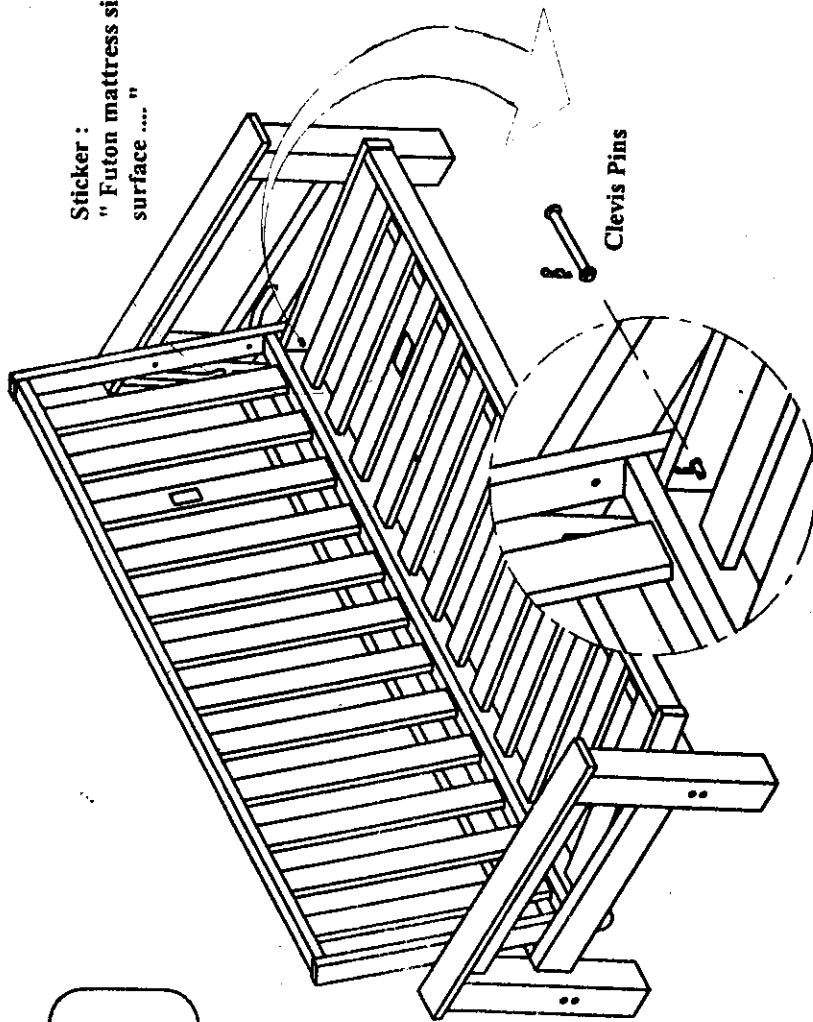
Tighten all bolts when Back Deck is in place.



Assembly Instructions

Page 4 of 4

Sticker :
"Futon mattress sits on this surface"



STEP 4

FIT SEAT DECK POSITION

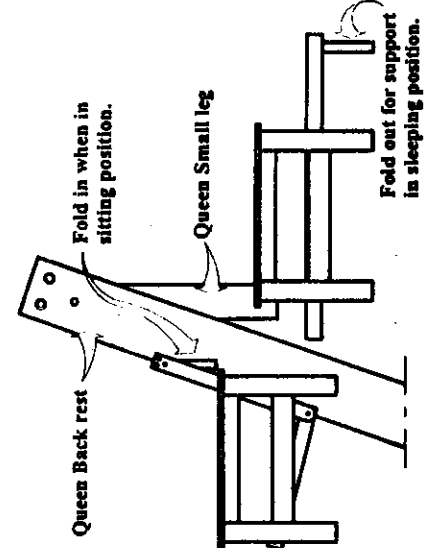
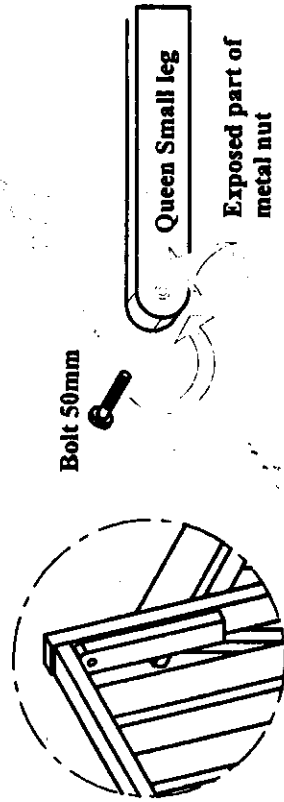
1. Fit the assembled seat deck between the Bifold arms and into the back deck as shown.
2. Use Clevis pins to connect the two decks. Secure with a washer and locking pin.

Note :

Your frame is now completely assembled. Read the operating instructions before continuing.

IMPORTANT :

Orientation of the Queen Small Leg, note that the exposed part of the metal nut in the leg should be oriented away from the bolt for proper assembly.



STEP 5

FOR QUEEN SIZE ONLY
ATTACH SMALL LEG