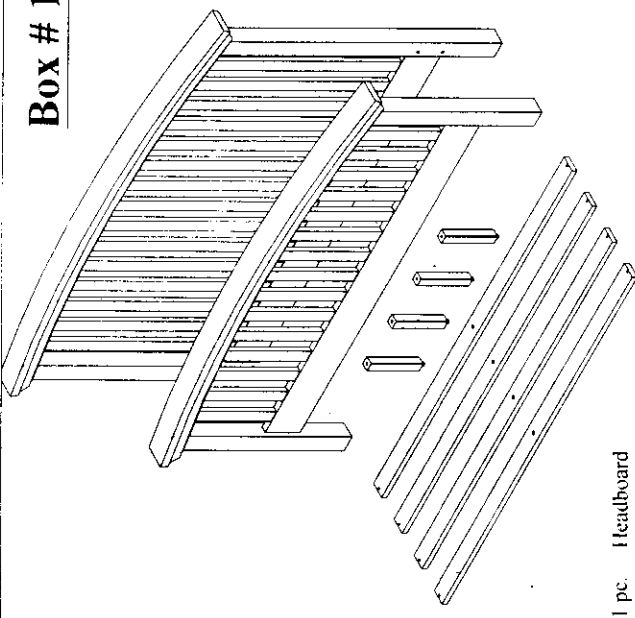


CAMBRIDGE BED

Bed Assembly Instructions

Box # 1

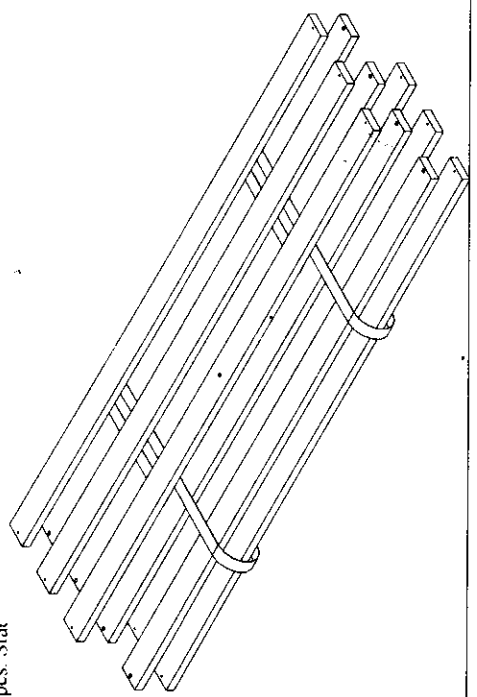


- 1 pc. Headboard
- 1 pc. Footboard
- 4 pcs. Bored Slat
- 4 pcs. Support Leg

Box # 3

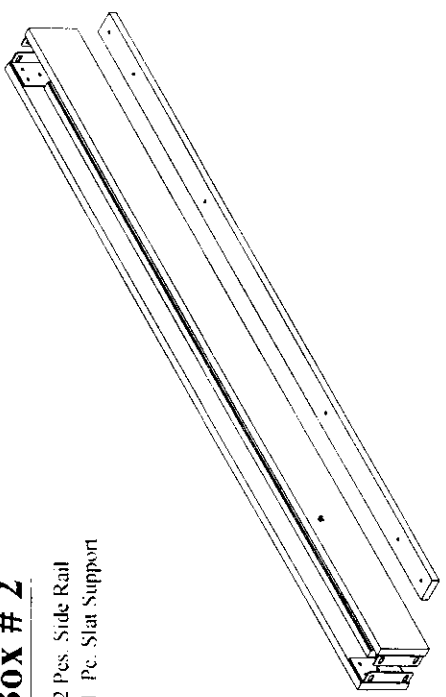
Optional Slat

10 pcs. Slat

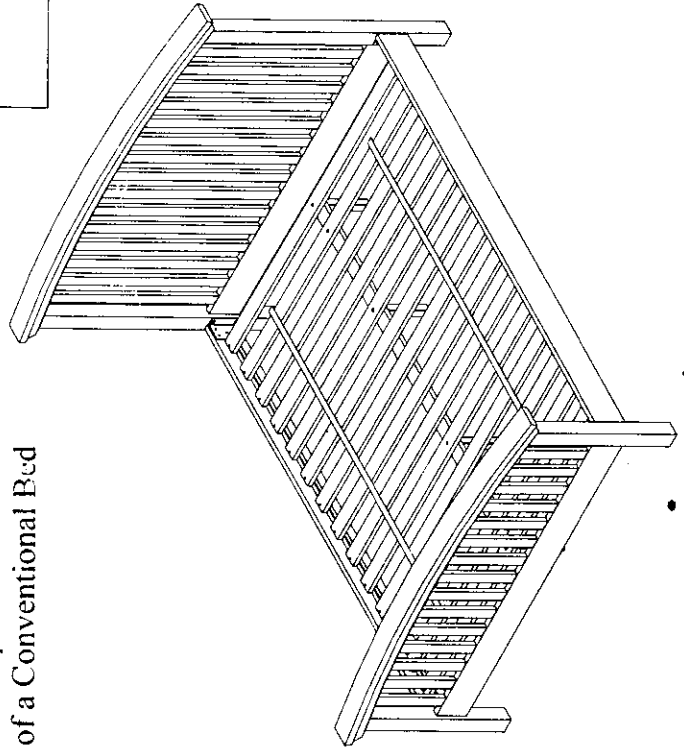


Box # 2

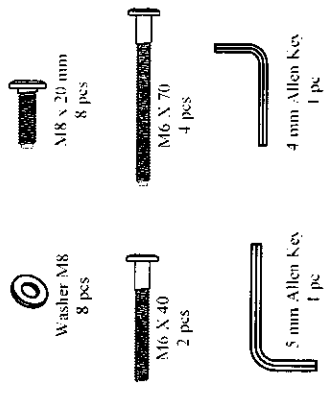
- 2 Pcs. Side Rail
- 1 Pc. Slat Support



A complete assembled view of a Conventional Bed



Hardware Pack in Box # 1



32 mm Screw - 8 pcs



32 mm Screw - 20 pcs
(wrapped in separate Plastic bag)
Optional Slats Box

CAMBRIDGE BED

Bed Assembly Instructions

Step 1

Fix Side Rails to Head Board & Foot Board as shown with the M8 x 20 mm bolts, washers and nuts.

Step 2

Place the conventional slats, slat supports and legs as shown using the M6 x 70mm bolts.

Use the two M6 x 40mm bolts to attach the second outer slat to the slat support.

After tightening all the bolts, screw the slats in place on to the side rails with the woodscrews provided as shown.

