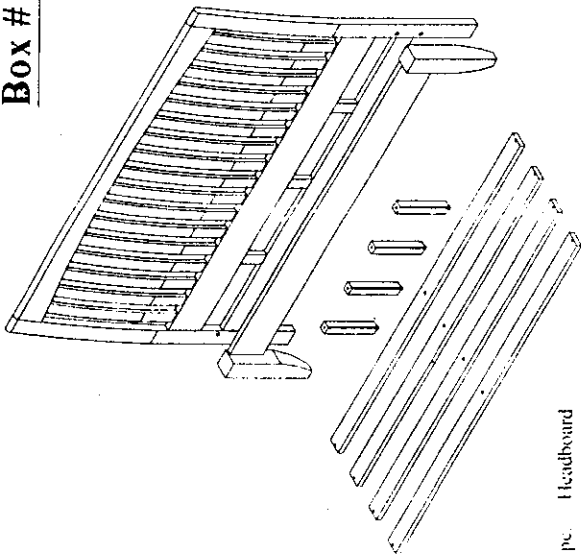


**Box # 1**

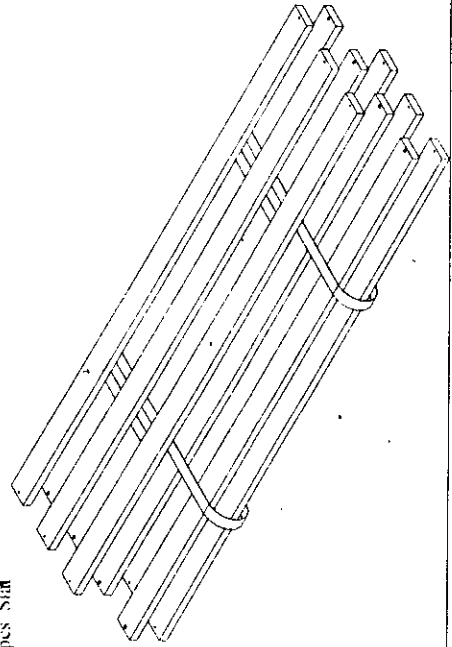


- 1 pc. Headboard
- 1 pc. Footboard
- 4 pcs. Bored Slat
- 4 pcs. Support Leg

**Box # 3**

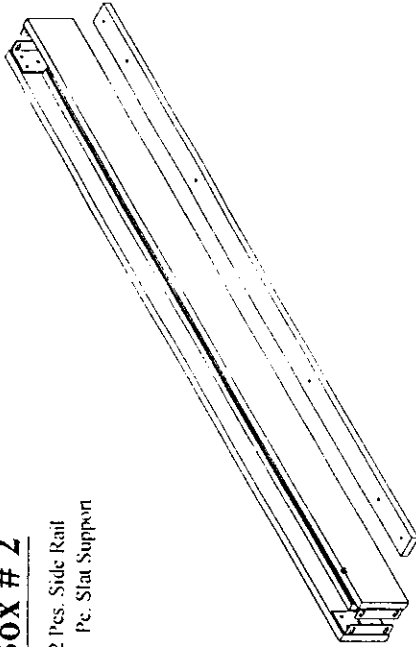
**Optional Slat**

- 10 pcs Slat

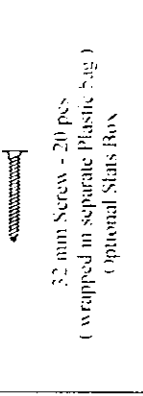
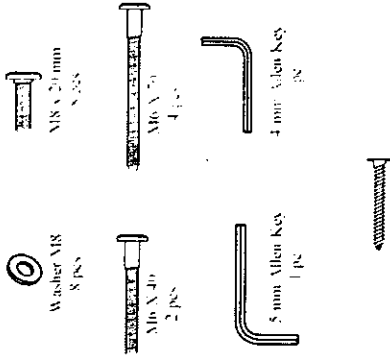


**Box # 2**

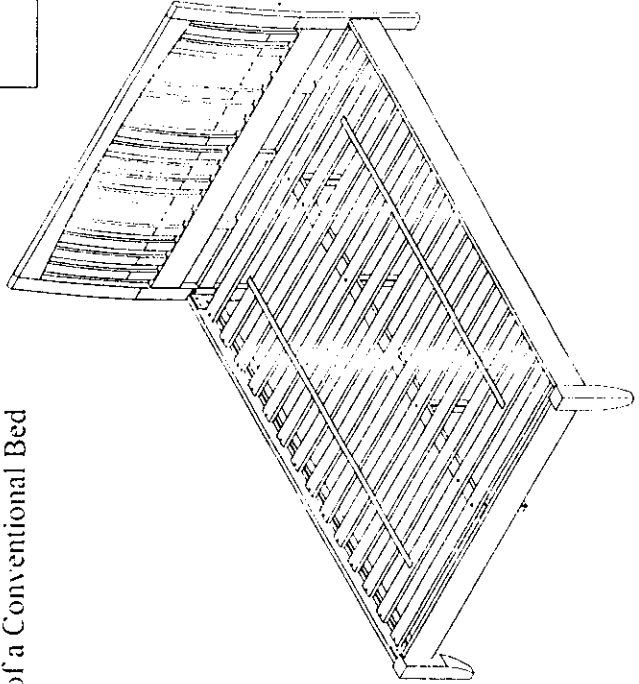
- 2 Pcs. Side Rail
- 1 Pc. Slat Support



**Hardware Pack in Box # 1**



A complete assembled view of a Conventional Bed



# NEW YORK BED

## Bed Assembly Instructions

### Step 1

Fix Side Rails to Head Board & Foot Board as show with the M8 x 20 mm bolts, washers and nuts.

### Step 2

Place the conventional slats, slat supports and legs as shown using the M6 x 70mm bolts  
 Use the two M6 x 40mm bolts to attach the second outer slat to the slat support.  
 After tightening all the bolts, screw the slats in place on to the side rails with the woodscrews provided as shown.

