



Assembly Instructions

3259-TT BUNK BED

SAFETY WARNING



1. Follow the information on the warnings appearing on the upper bunk end structure and on the carton. Do not remove warning label from bed.
2. Always use the recommended size mattress or mattress support, or both, to help prevent the likelihood of entrapment or falls.
3. Surface of mattress must be at least 5 in. (127 mm) below the upper edge of guardrails.
4. Do not allow children under 6 years of age to use the upper bunk.
5. Periodically check and ensure that the guardrail, ladder, and other components are in their proper position, free from damage, and that all connectors are tight.
6. Do not allow horseplay on or under the bed and prohibit jumping on the bed.
7. Prohibit more than one person on upper bunk.
8. Always use the ladder for entering and leaving the upper bunk.
9. Do not use substitute parts. Contact the manufacturer or dealer for replacement parts.
10. Use of a night light may provide added safety precaution for a child using the upper bunk.
11. Always use guardrails on both long sides of the upper bunk. If the bunk bed will be placed next to the wall, the guardrail that runs the full length of the bed should be placed against the wall to prevent entrapment between the bed and wall.
12. The use of water or sleep flotation mattresses is prohibited.
13. STRANGULATION HAZARD—Never attach or hang items to any part of the bunk bed that are not designed for use with the bed; for example, but not limited to hooks, belts and jump ropes.
14. Keep these instructions for future reference.

SIZE OF MATTRESS AND FOUNDATION:

Use only mattress, which is 37 1/2" - 38 1/2" width and 74"-75" long on upper bunk and lower bunk (twin size.)

Ensure that the thickness of the mattress does not exceed 7" and that the mattress surface is at least 5" (127mm) below upper edge of guardrails.

WARNING:

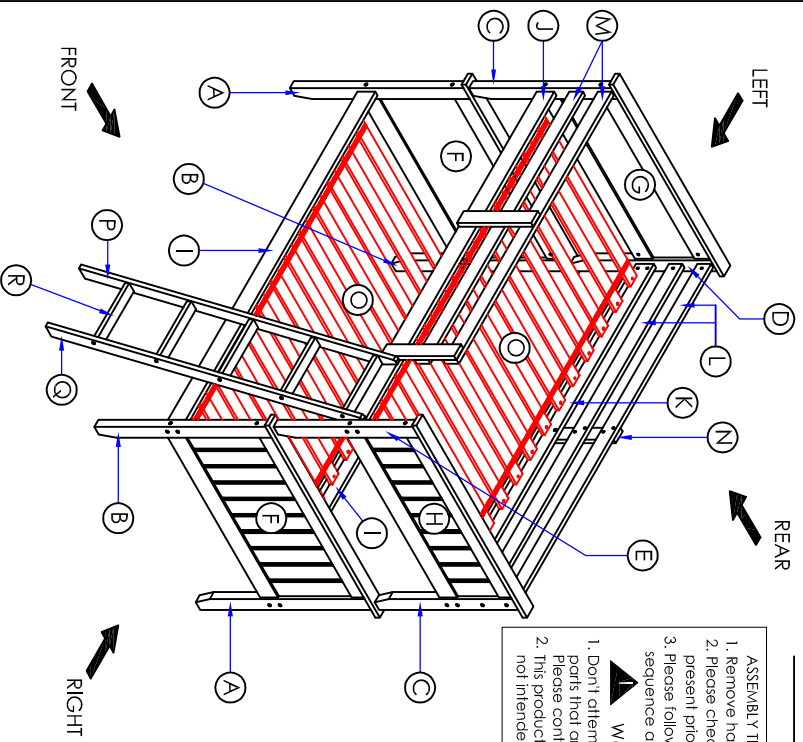
Adult Assembly Required. This package contains small parts. Keep away from children.

Replacement Part :

Replacement parts, may be obtained from any Donco dealer or directly from us at the below address.

DISTRIBUTED BY :
DONCO TRADING COMPANY
6801 SNOWDEN ROAD FORT WORTH,
TX 76140.

ASSEMBLY INSTRUCTIONS



- ASSEMBLY TIPS**
1. Remove hardware from box and sort by size.
 2. Please check to see that all hardware and parts are present prior start of assembly.
 3. Please follow attached instructions in the same sequence as numbered to assure fast and easy assembly.
- Warning!**
1. Don't attempt to repair or modify parts that are broken or defective. Please contact the store immediately.
 2. This product is for home use only and not intended for commercial establishments.

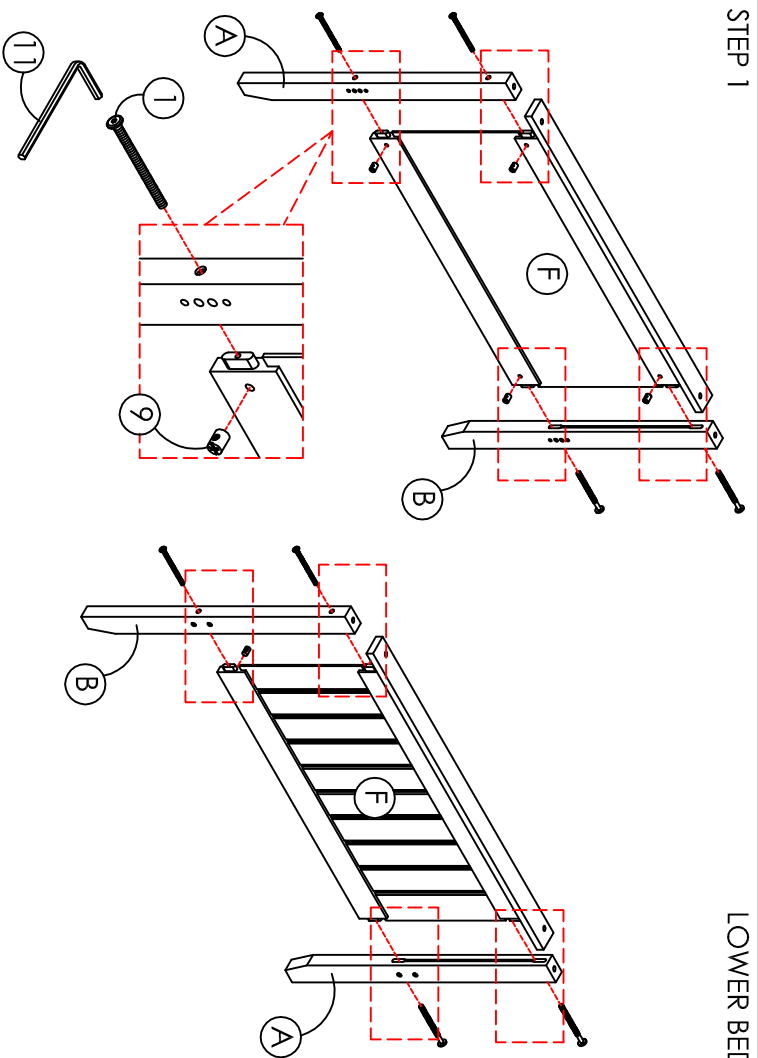
HARDWARE LIST

1	JCBC M6 x 100mm		16 PCS	7	WOOD SCREW 3.5 x 16mm		2 PCS
2	JCBC M6 x 80mm		22 PCS	8	WOOD DOWEL Ø10 x 30mm		38 PCS
3	JCBC M6 x 60mm		10 PCS	9	BARREL NUT M6 x 13mm		48 PCS
4	JCBC M6 x 30mm		6 PCS	10	METAL HOLLOW PIN Ø9.5 x 127mm		4 PCS
5	JCBC-W M6 x 30mm		16 PCS	11	ALLEN KEY M4		1 PC
6	WOOD SCREW 4.0 x 30mm		48 PCS				

COMPONENT LIST

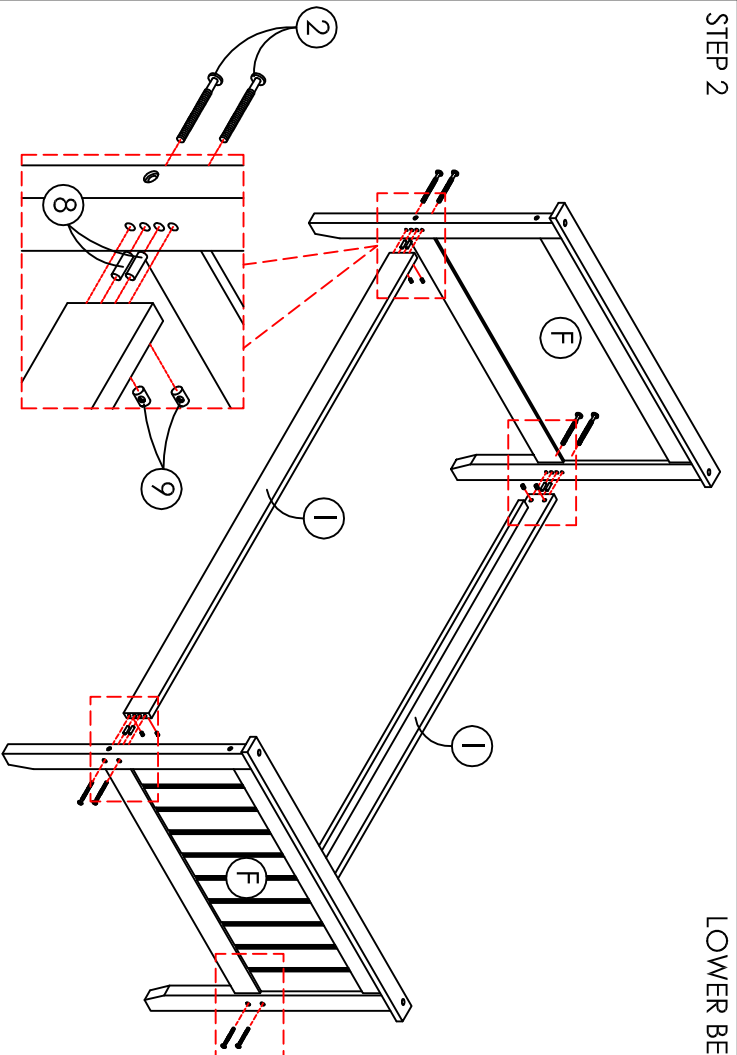
A	LOWER LEG (LEFT FRONT & RIGHT REAR)		2 PCS	I	LOWER SIDE RAIL		2 PCS
B	LOWER LEG (LEFT REAR & RIGHT FRONT)		2 PCS	J	UPPER SIDE RAIL (FRONT)		1 PC
C	UPPER LEG (LEFT FRONT & RIGHT REAR)		1 PC	K	UPPER SIDE RAIL (REAR)		1 PC
D	UPPER LEG (LEFT REAR)		1 PC	L	GUARD RAIL (REAR)		2 PCS
E	UPPER LEG (RIGHT FRONT)		2 PCS	M	GUARD RAIL (FRONT)		2 PCS
F	LOWER PANEL (HEADBOARD/FOOTBOARD)		1 PC	N	GUARD RAIL SUPPORT		3 PCS
G	UPPER PANEL (HEADBOARD)		1 PC	O	SLAT		2 SETS
H	UPPER PANEL (FOOTBOARD)		1 PC	P	LEFT LADDER RAIL		1 PC
				Q	RIGHT LADDER RAIL		1 PC
				R	LADDER STRETCHER		5 PCS

STEP 1



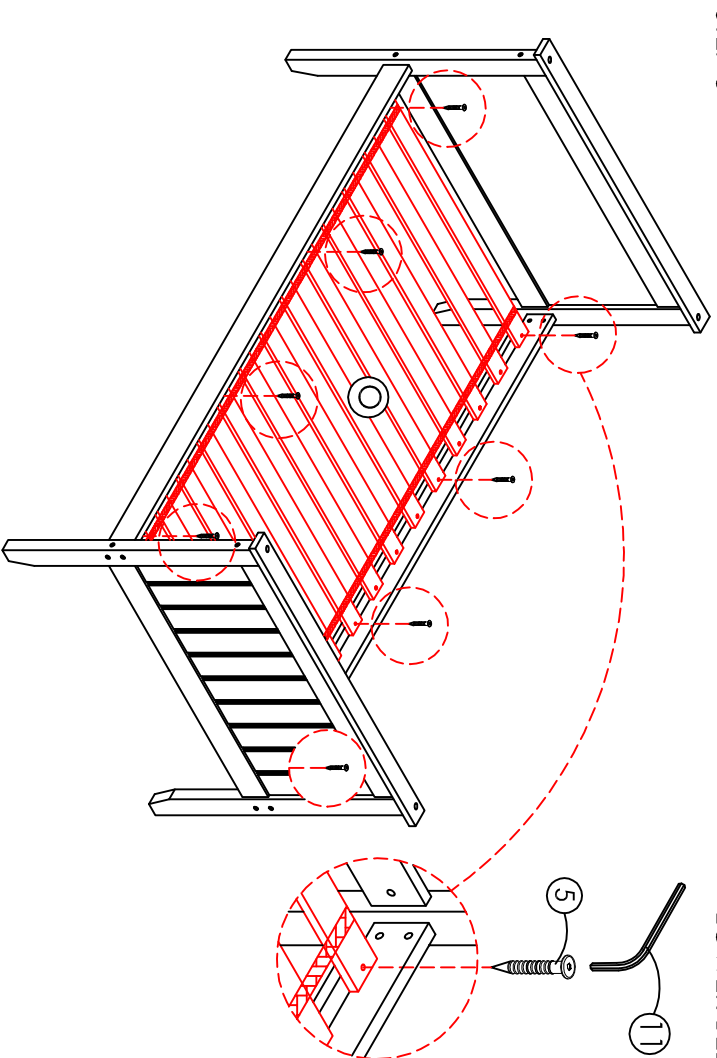
LOWER BED

STEP 2



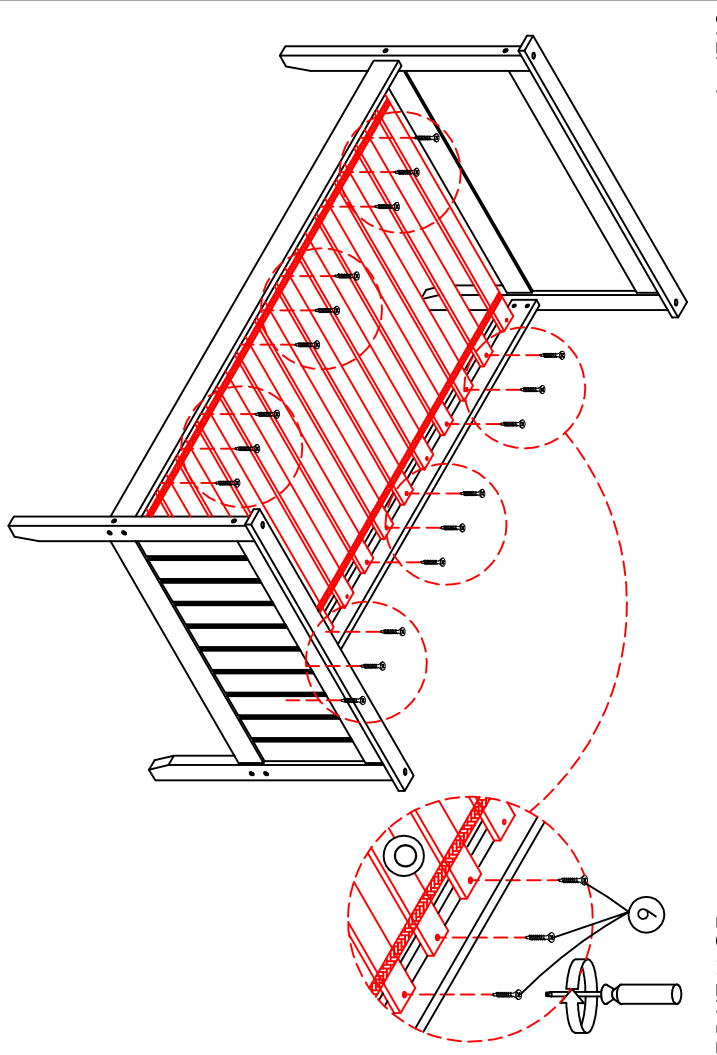
LOWER BED

STEP 3



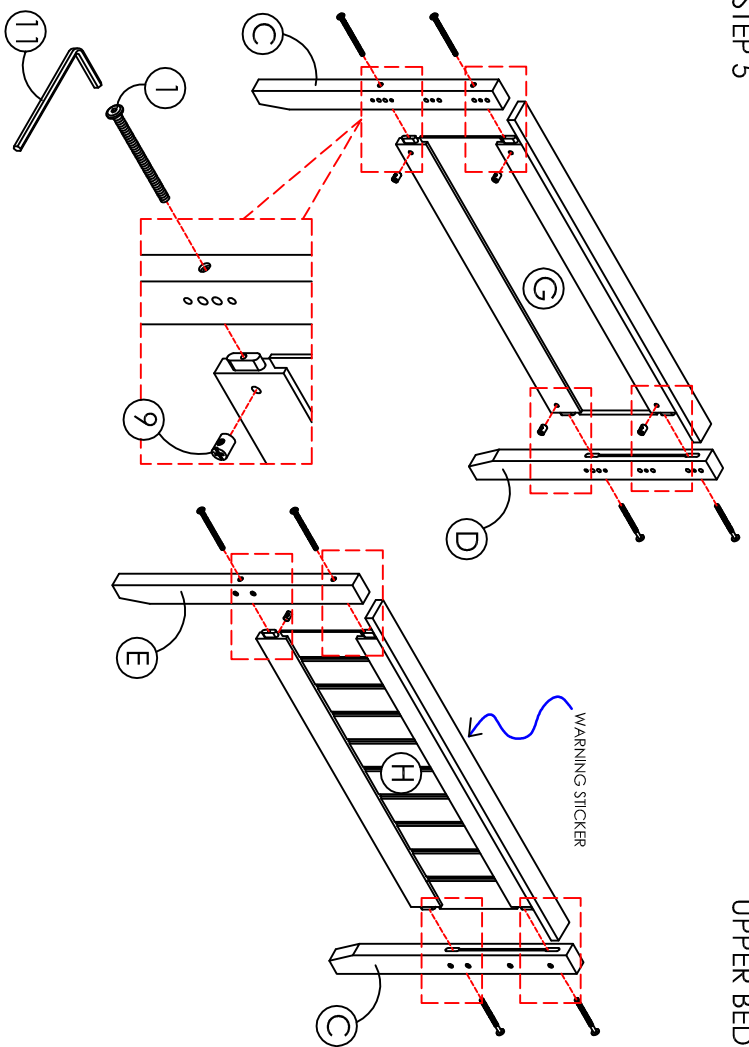
LOWER BED

STEP 4



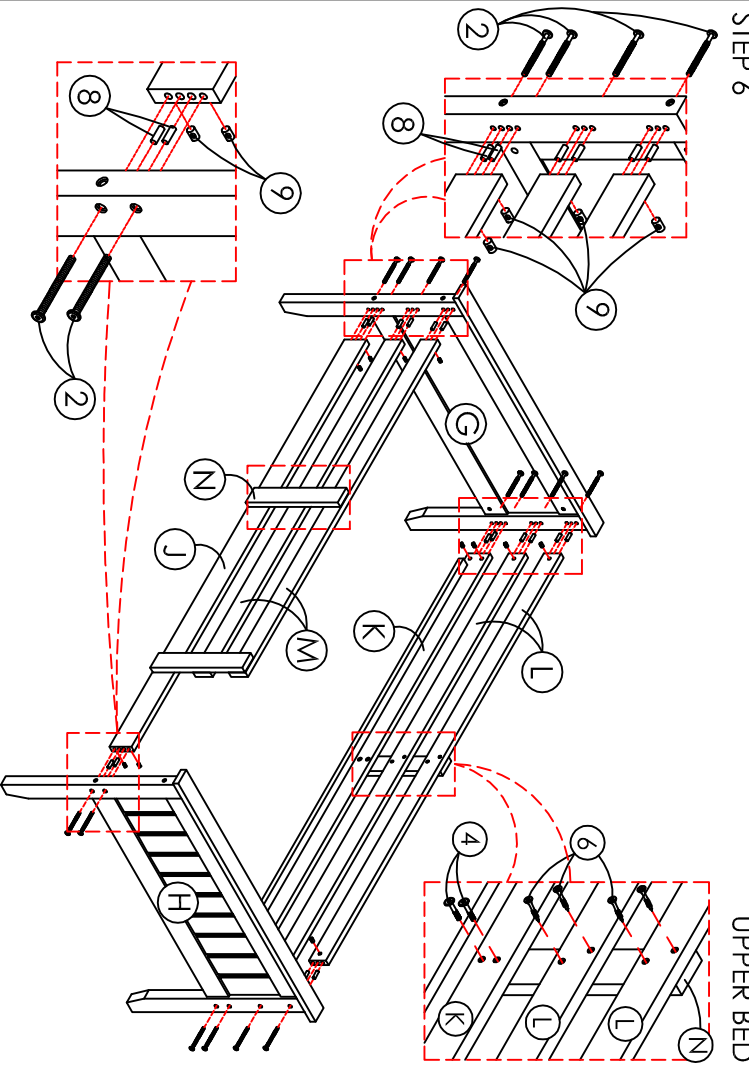
LOWER BED

STEP 5



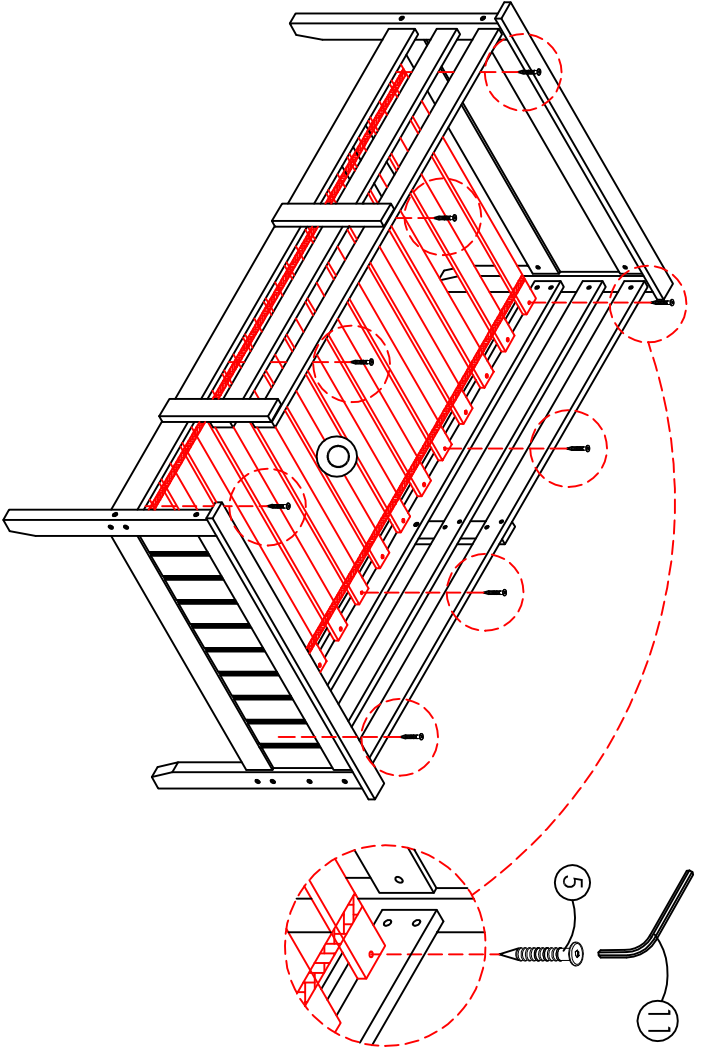
UPPER BED

STEP 6



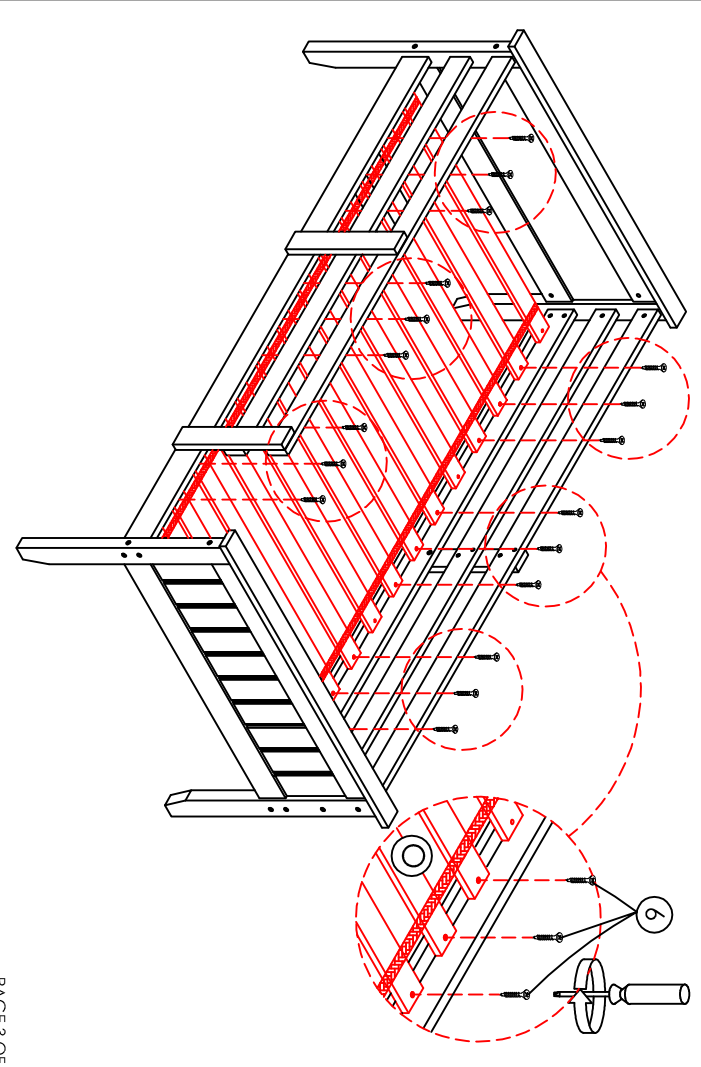
UPPER BED

STEP 7



UPPER BED

STEP 8



UPPER BED

