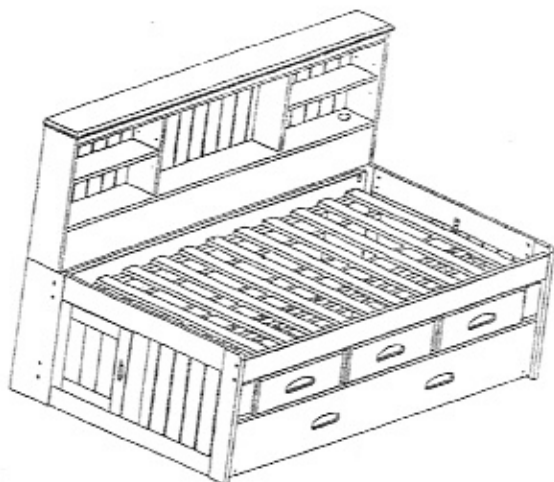


DiscoveryTM
World Furniture

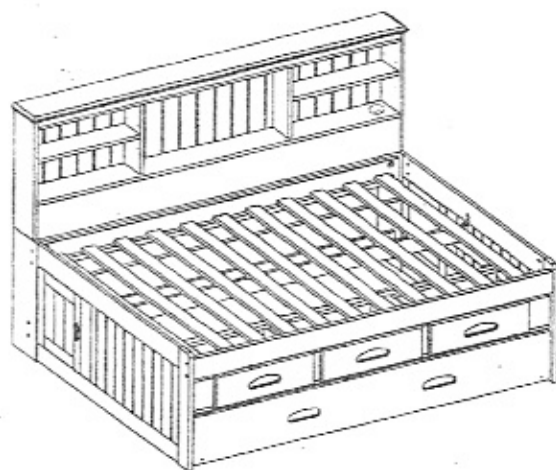


2122-2822


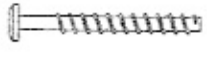



2123-2823








Twin



Full

A	 1/4" x 2 3/4"	08
B	 2 1/2"	04
C	 1/2"	12
D	 1 1/2" x 8mm	06
E	 1 1/2" x 10mm	06

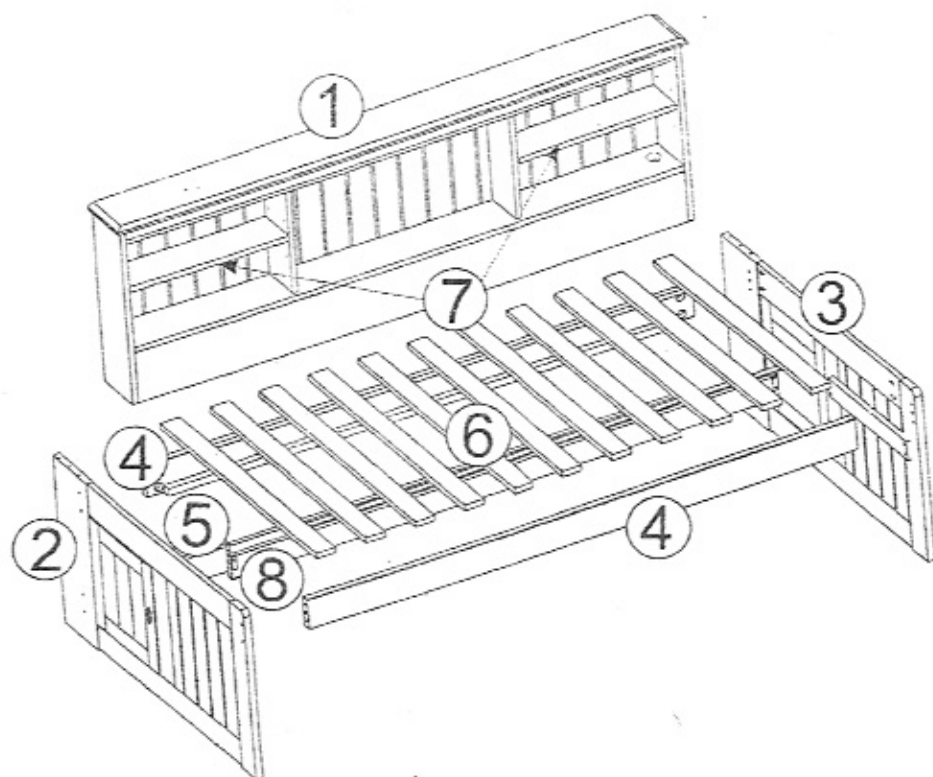
F		02
G		01
H		08
I	 1 1/4"	06
J		08

Replacement Parts & Limited Lifetime Warranty

Discovery World Furniture will replace any component part free of charge for 1 full year via UPS freight collect. In addition, Discovery World Furniture will replace any component part for 50% of the then prevailing retail price plus freight for the lifetime of the product, unless the product has been discontinued from our line. For service, mail your request to: Discovery World Furniture 915 Cornwall Rd, Sanford, FL 32773.

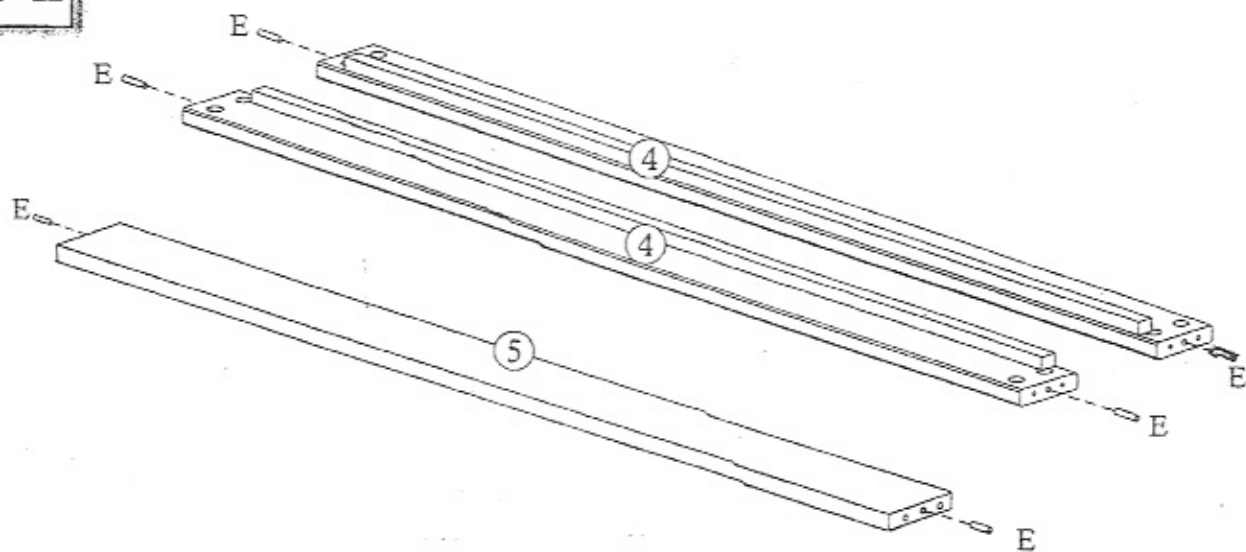
Website www.discoveryworldfurniture.com

Parts List

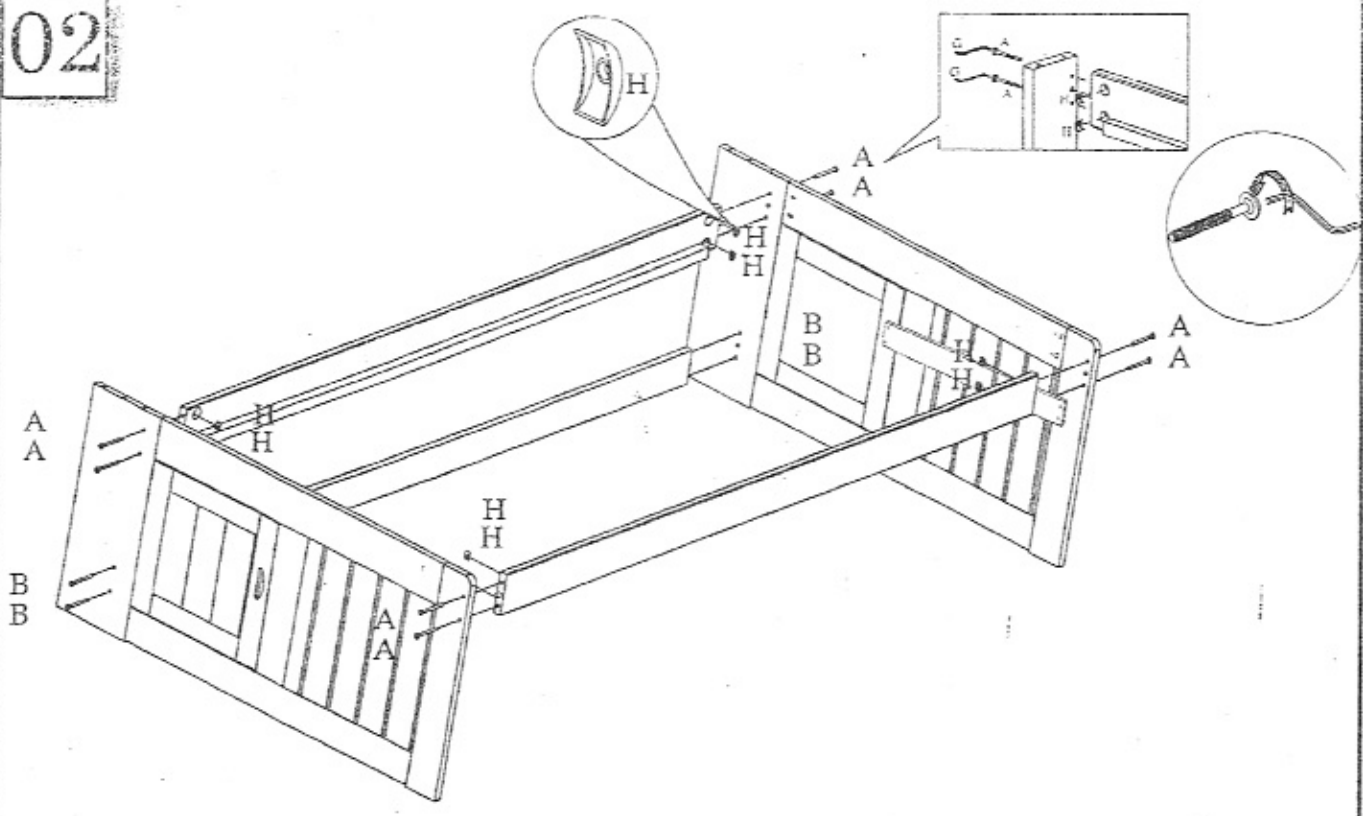


⑤ Back support

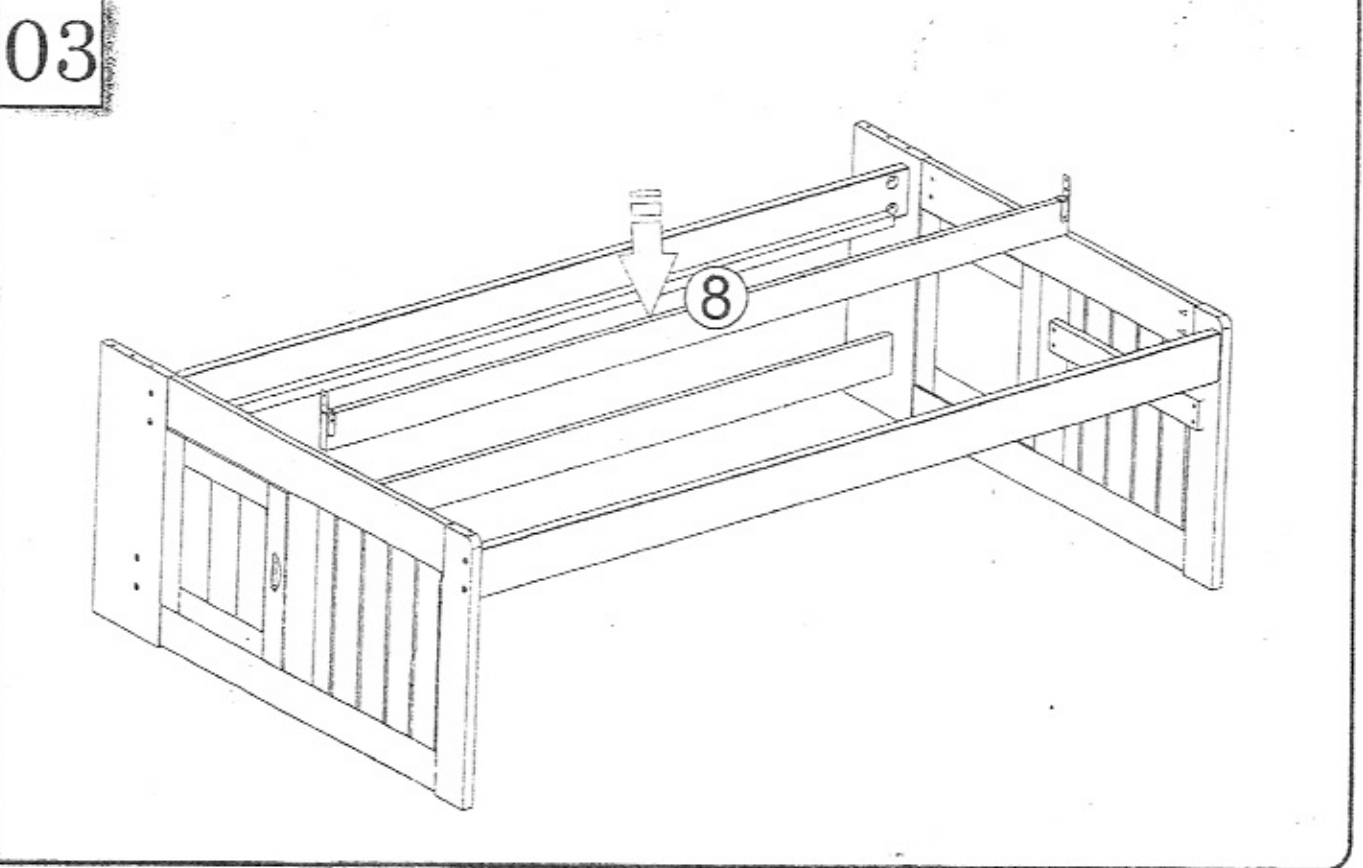
01



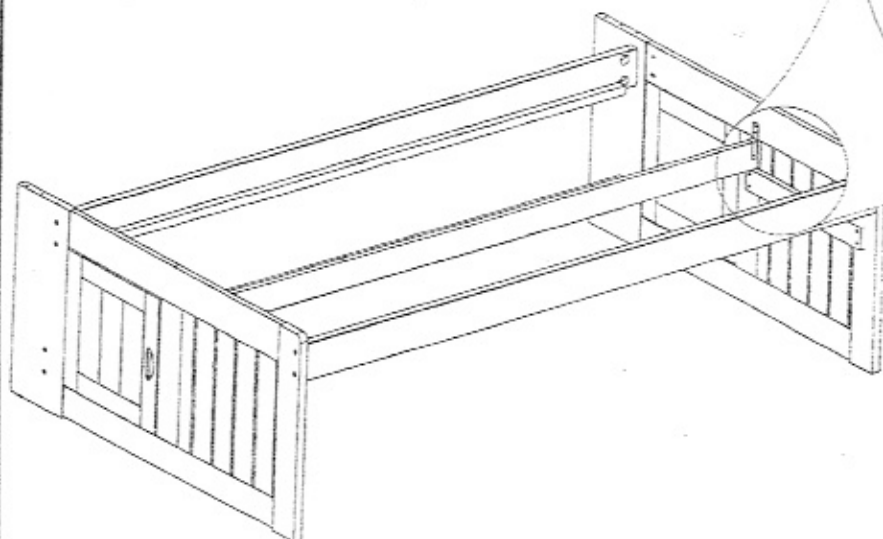
02



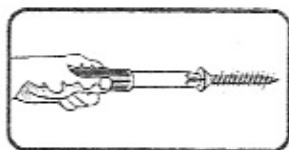
03



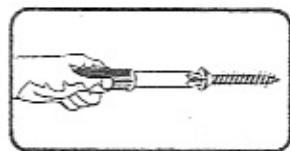
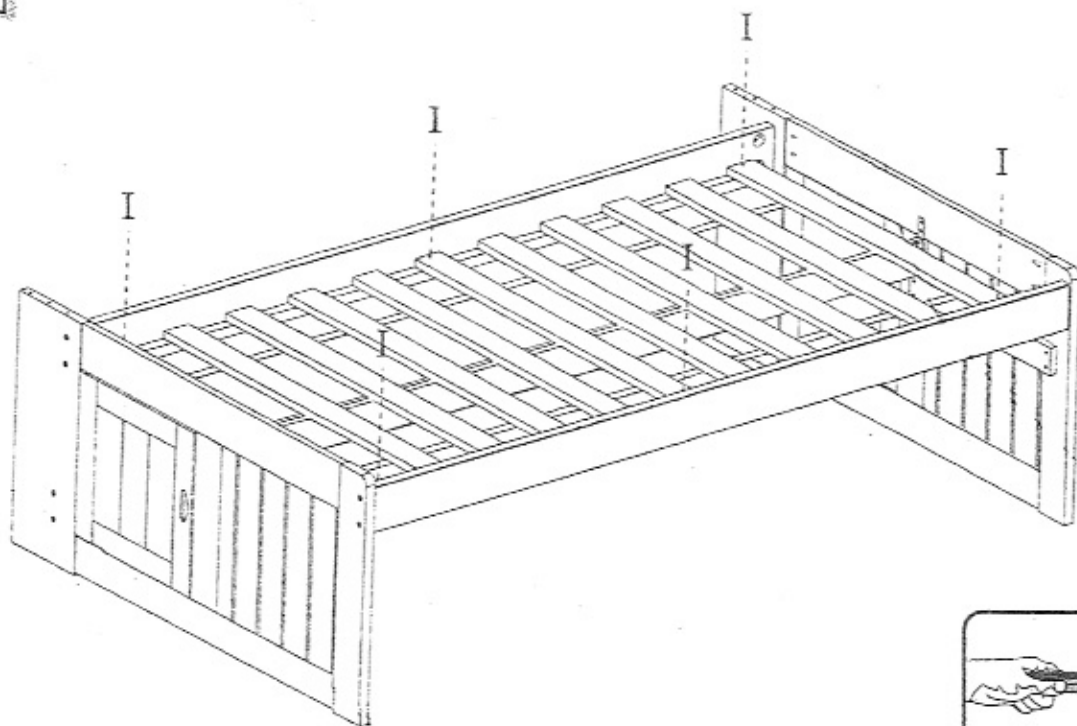
04



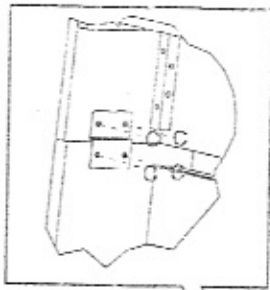
Repeat on both sides



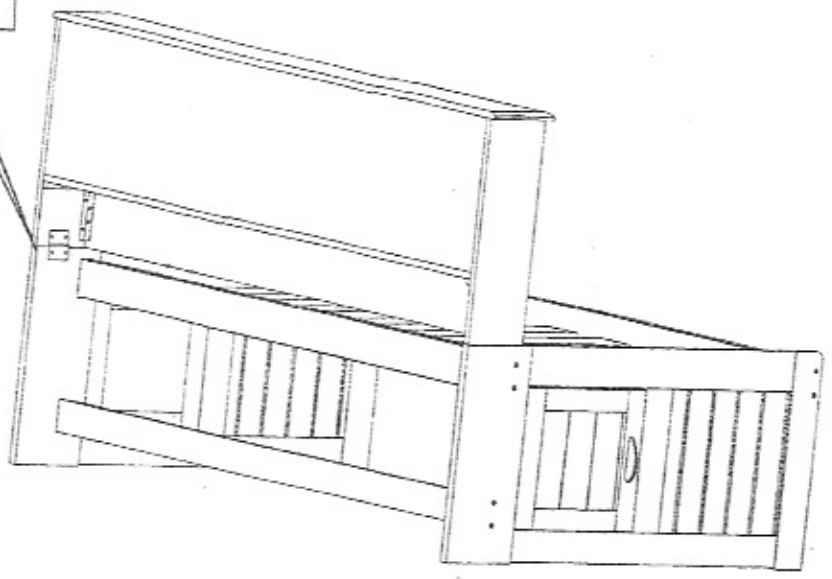
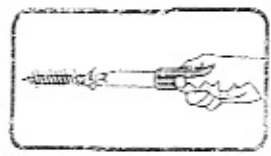
05



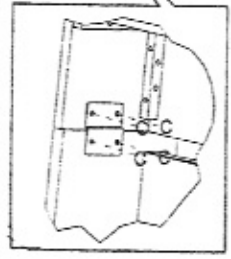
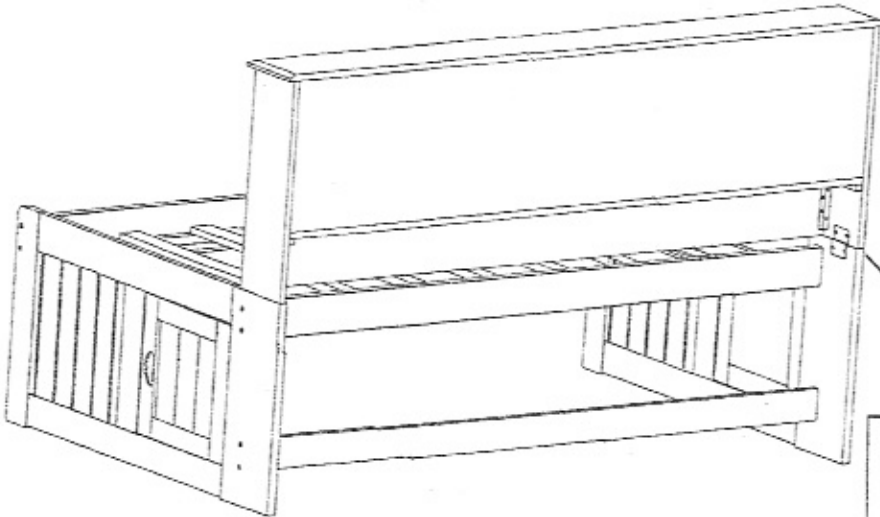
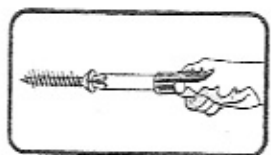
08



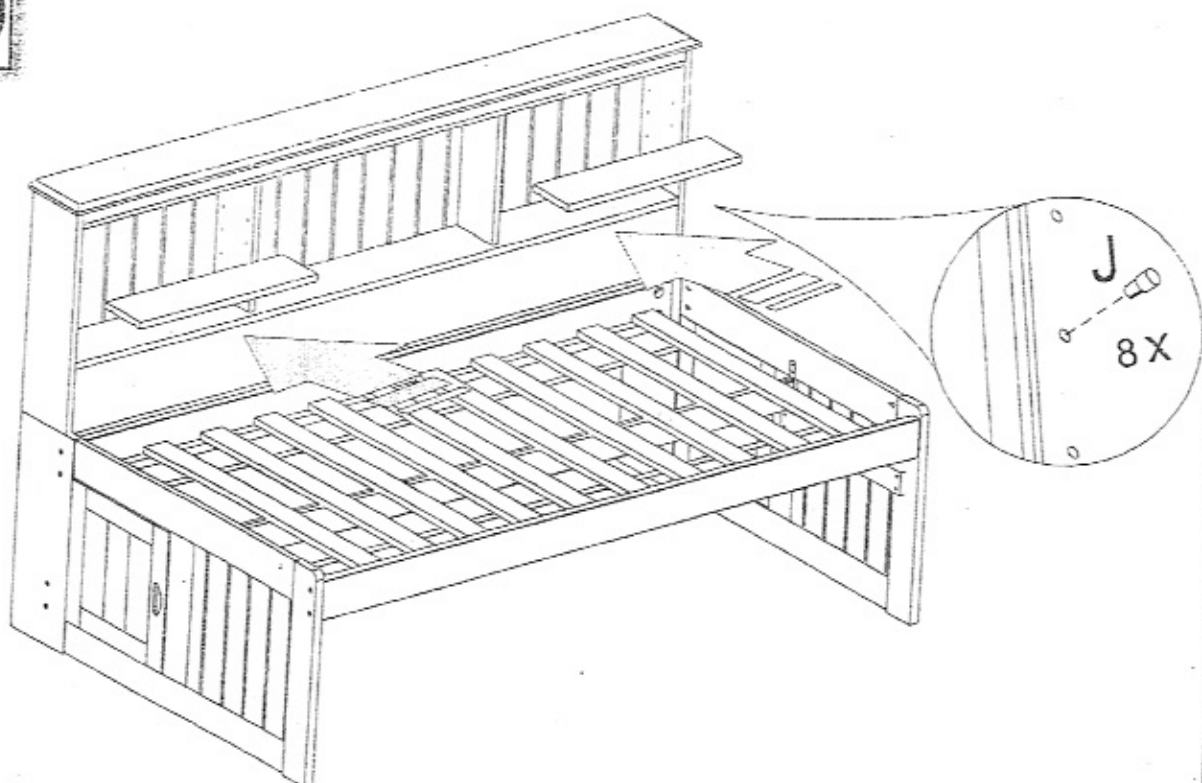
2X



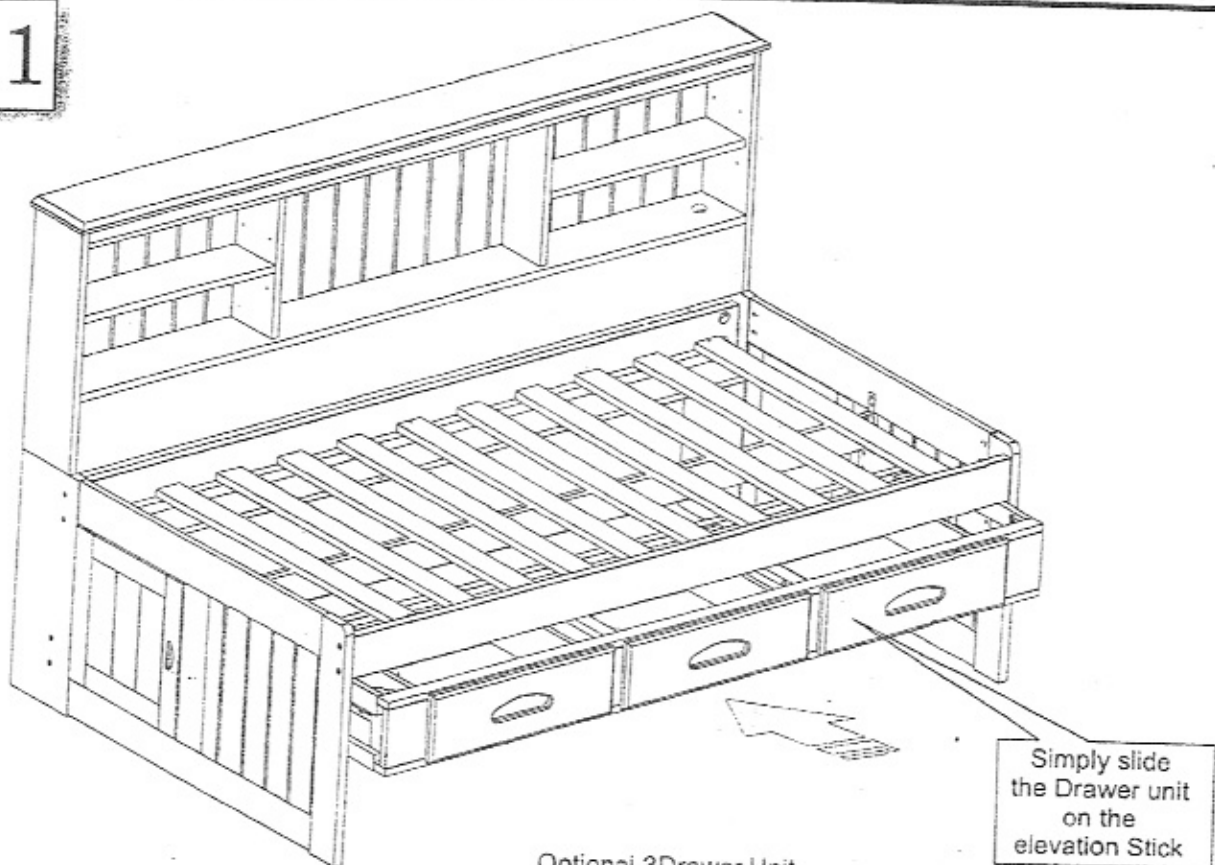
09



10



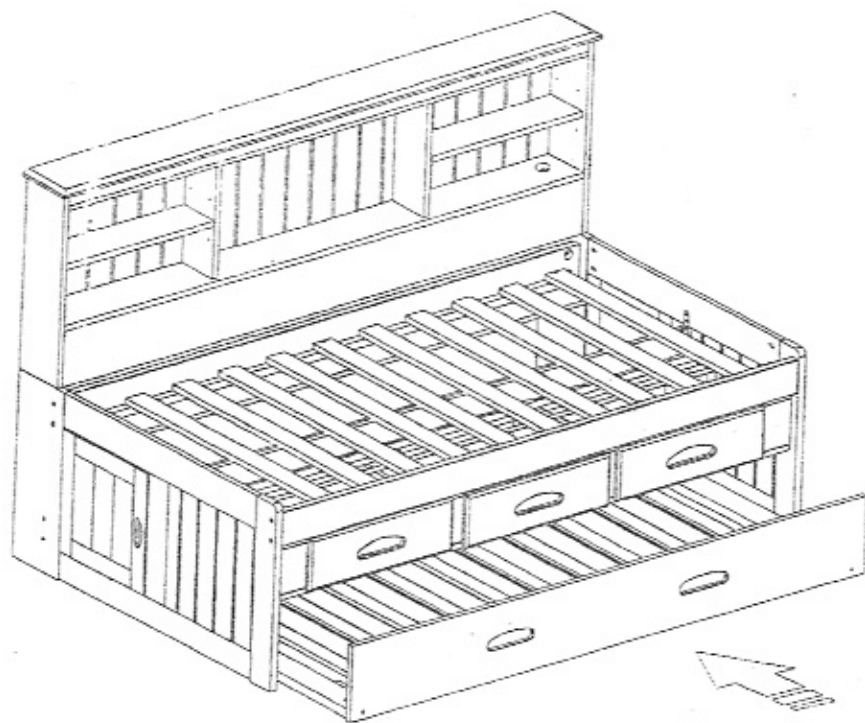
11



Optional 3Drawer Unit

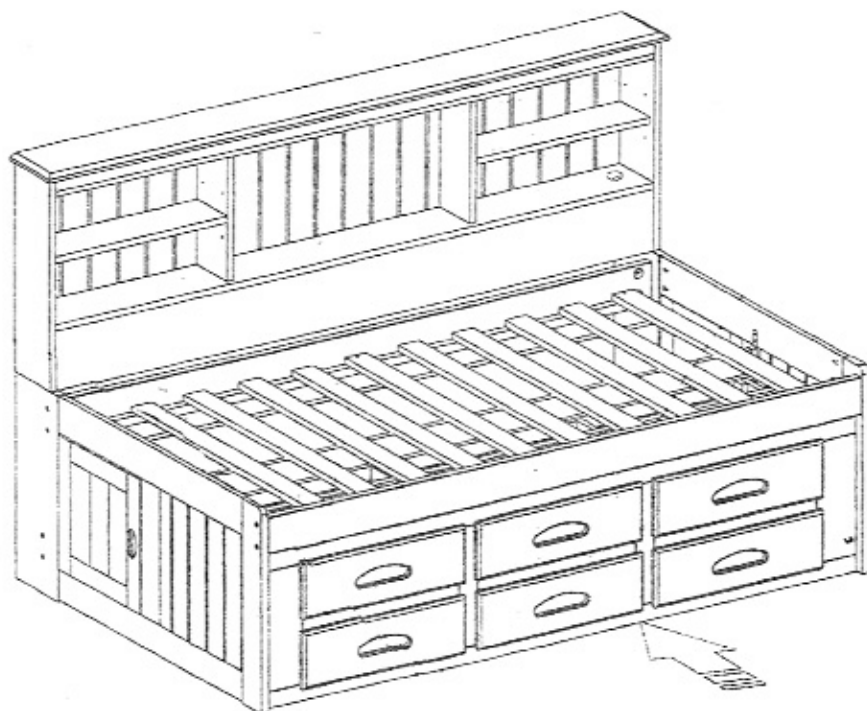
Simply slide
the Drawer unit
on the
elevation Stick

12



Optional Trundle

13



Optional 6 Drawer Unit