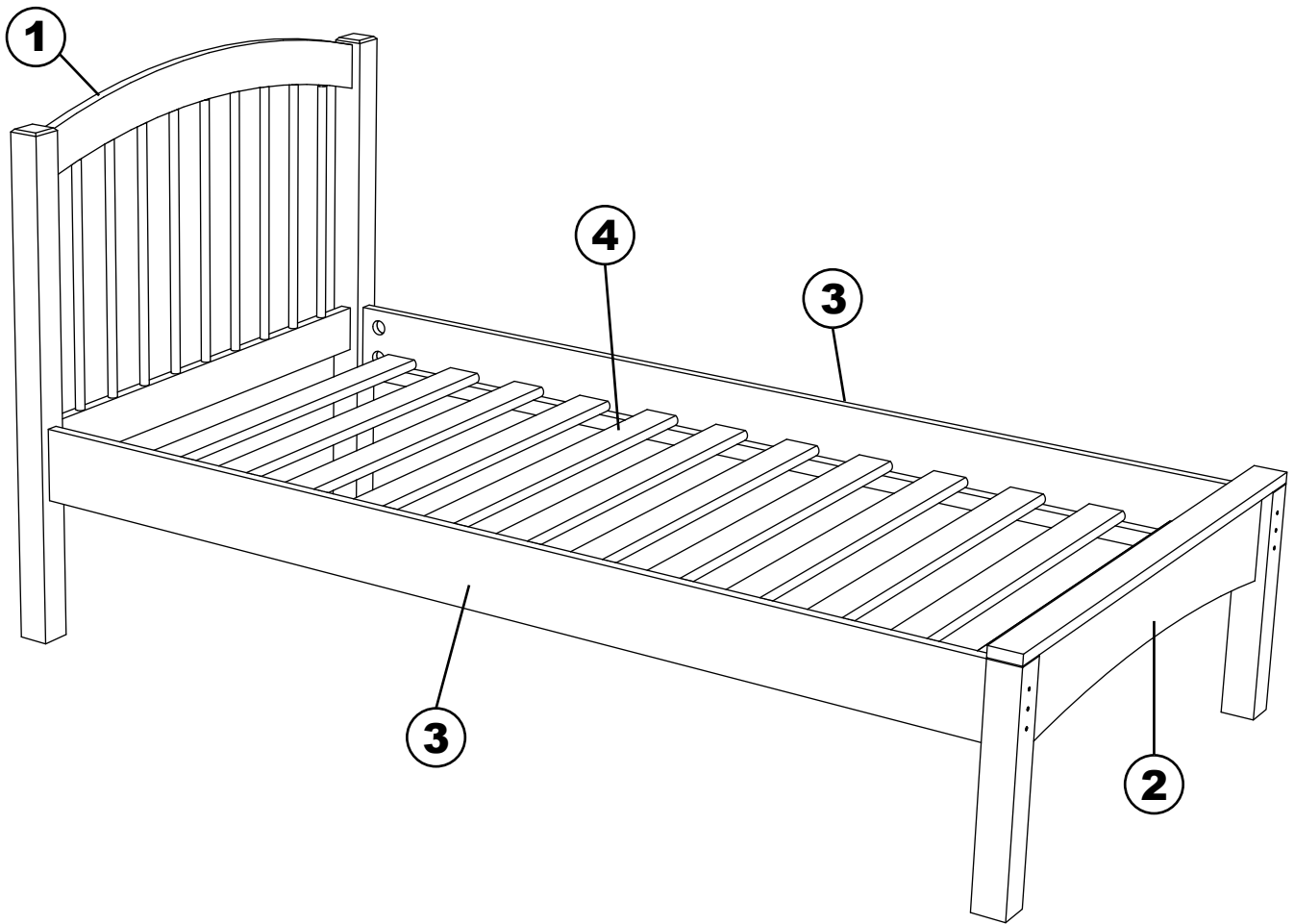


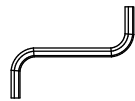
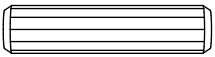
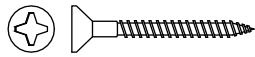

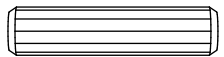


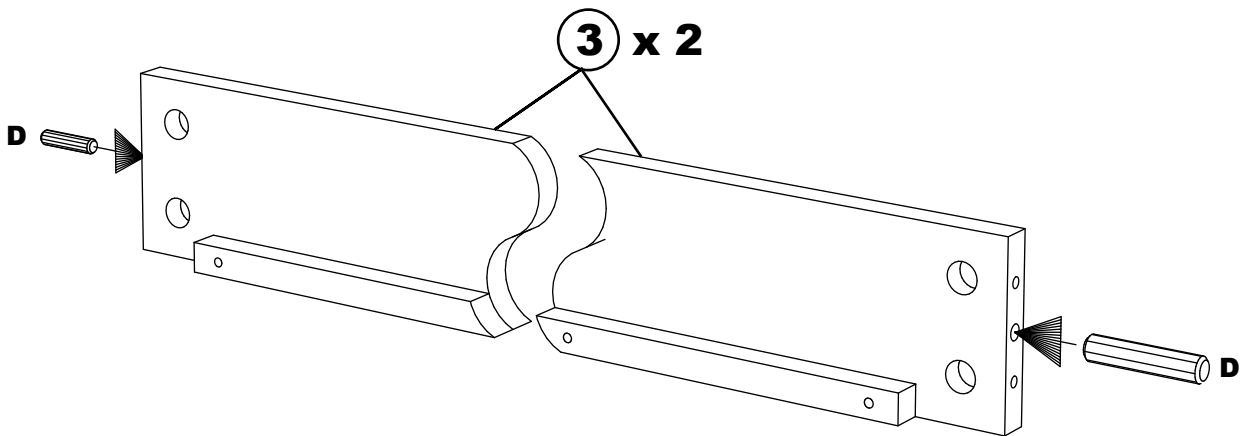
ASSEMBLY INSTRUCTIONS - TWIN ARCH SPINDLE BED



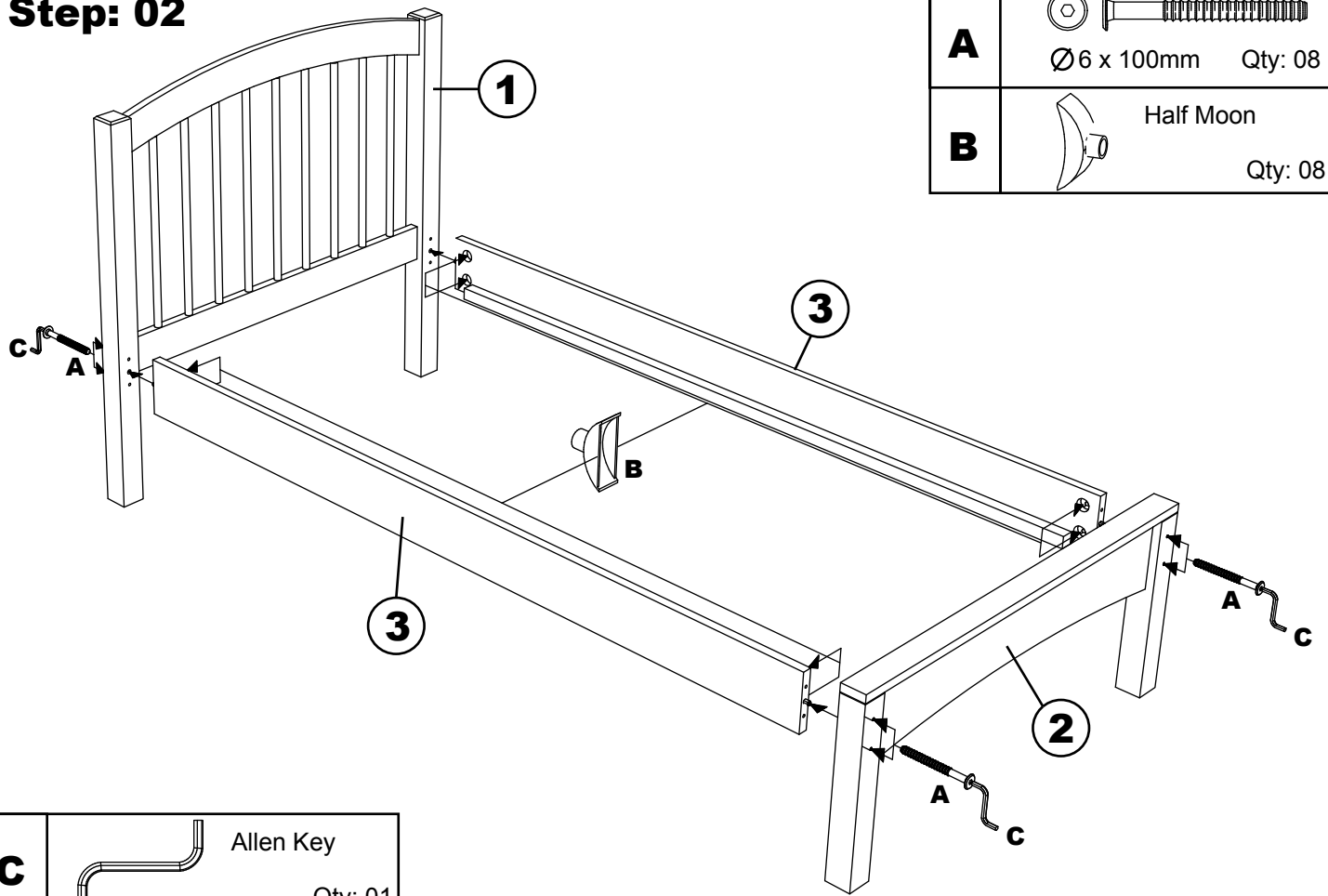
A	 Ø6 x 100mm Qty: 08	B	 Half Moon Qty: 08	C	 Allen Key Qty: 01
D	 Ø10 x 40mm Qty: 04	E	 Ø4 x 30mm Qty: 24	F	 Qty: 02

Step: 1

D	 Ø10 x 40mm Qty: 04
----------	---



Step: 02



Step: 03

