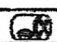
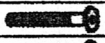
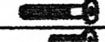
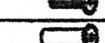
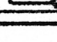



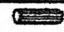
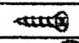


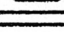
ASSEMBLY INSTRUCTIONS FOR TWIN MAKO BED

Read this instruction carefully. See hardware and furniture part list for guidance. Be sure all part is complete, before you assemble. Place all wooden furniture part on a clean and flat soft surface to prevent from being scratched. Follow the figure to start assembling.

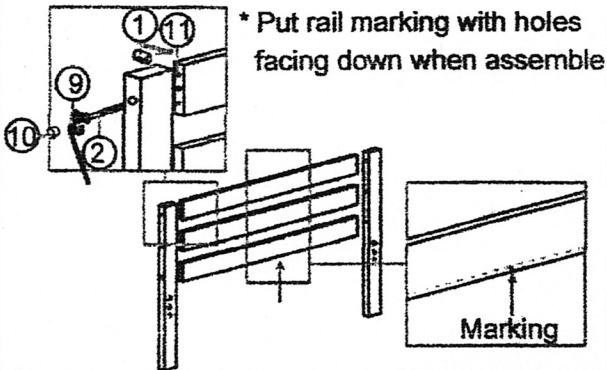
CAUTIONS:

1. Do not FULLY-TIGHTEN the nut or nut bolt until all nut or bolt is ready assembled.
2. Do not OVER-TIGHTEN the nut or nut bolt to avoid causing damages to the thread.
3. Keep all hardware part out of reach of children.

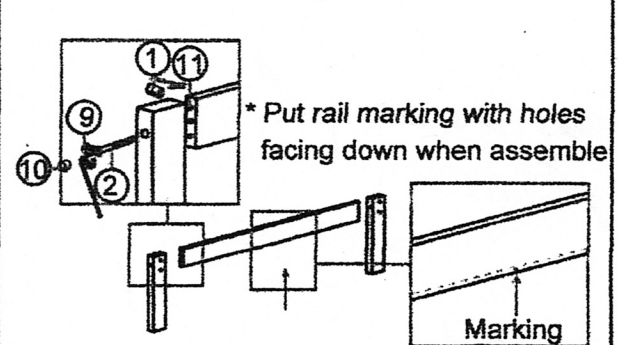
HARDWARE LIST		
ITEM.	DESCRIPTION.	QTY.
1	BARRER NUT M6 x 15 	16PCS
2	JCBC SCREW M6 x 90 	8PCS
3	JCBC SCREW M6 x 70 	8PCS
4	JCBC SCREW M6 x 25 	8PCS
5	JCN NUT M6 x 15 	8PCS

HARDWARE LIST		
ITEM.	DESCRIPTION.	QTY.
6	WOOD DOWEL M10 x 30 	4PCS
7	WOOD DOWEL M8 x 20 	4PCS
8	CSK SCREW M4 x 25 MM 	24PCS
9	M4 L KEY 	1PC
10	WOOD BUTTON 13.5 X 7.5mm 	16PCS
11	WOOD DOWEL M8 x 30 	16PCS

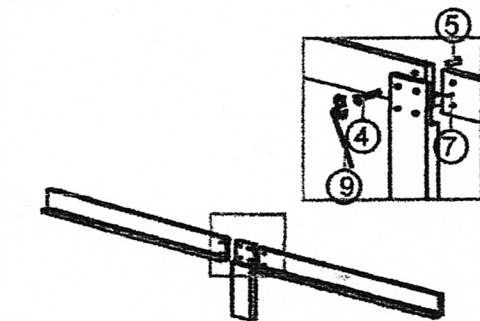
STEP 1:



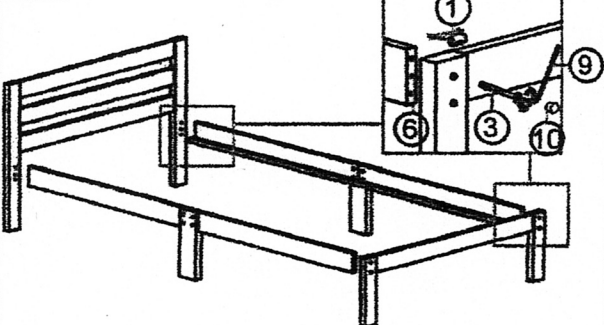
STEP 2:



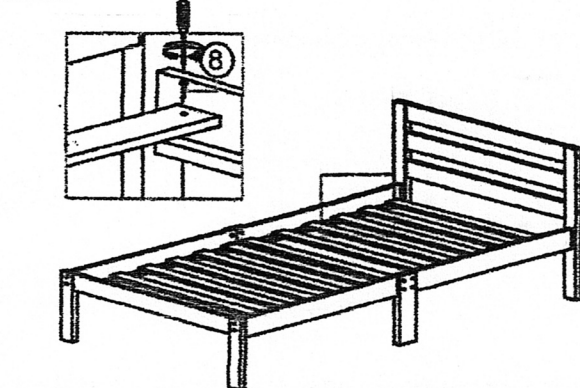
STEP 3:



STEP 4:



STEP 5:



STEP 6:

