


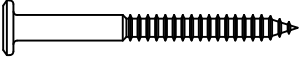

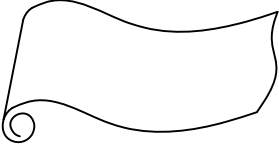
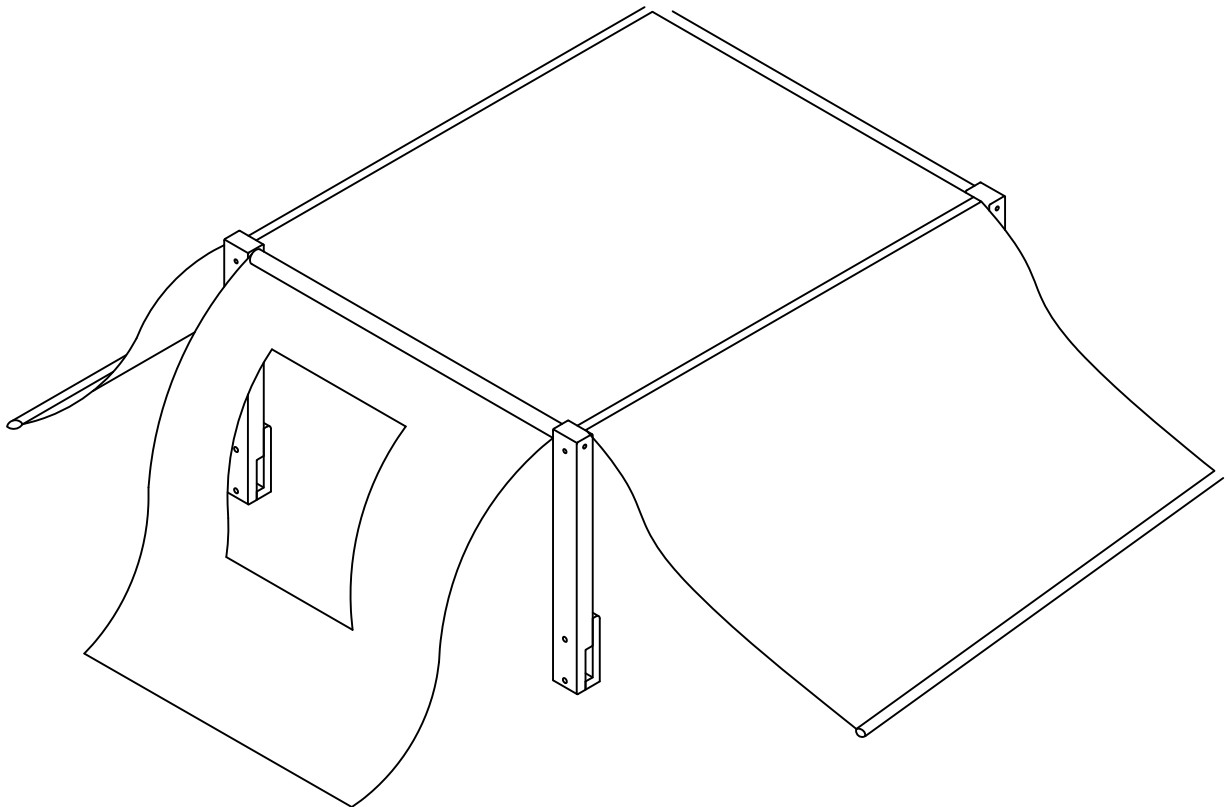


ASSEMBLY INSTRUCTION

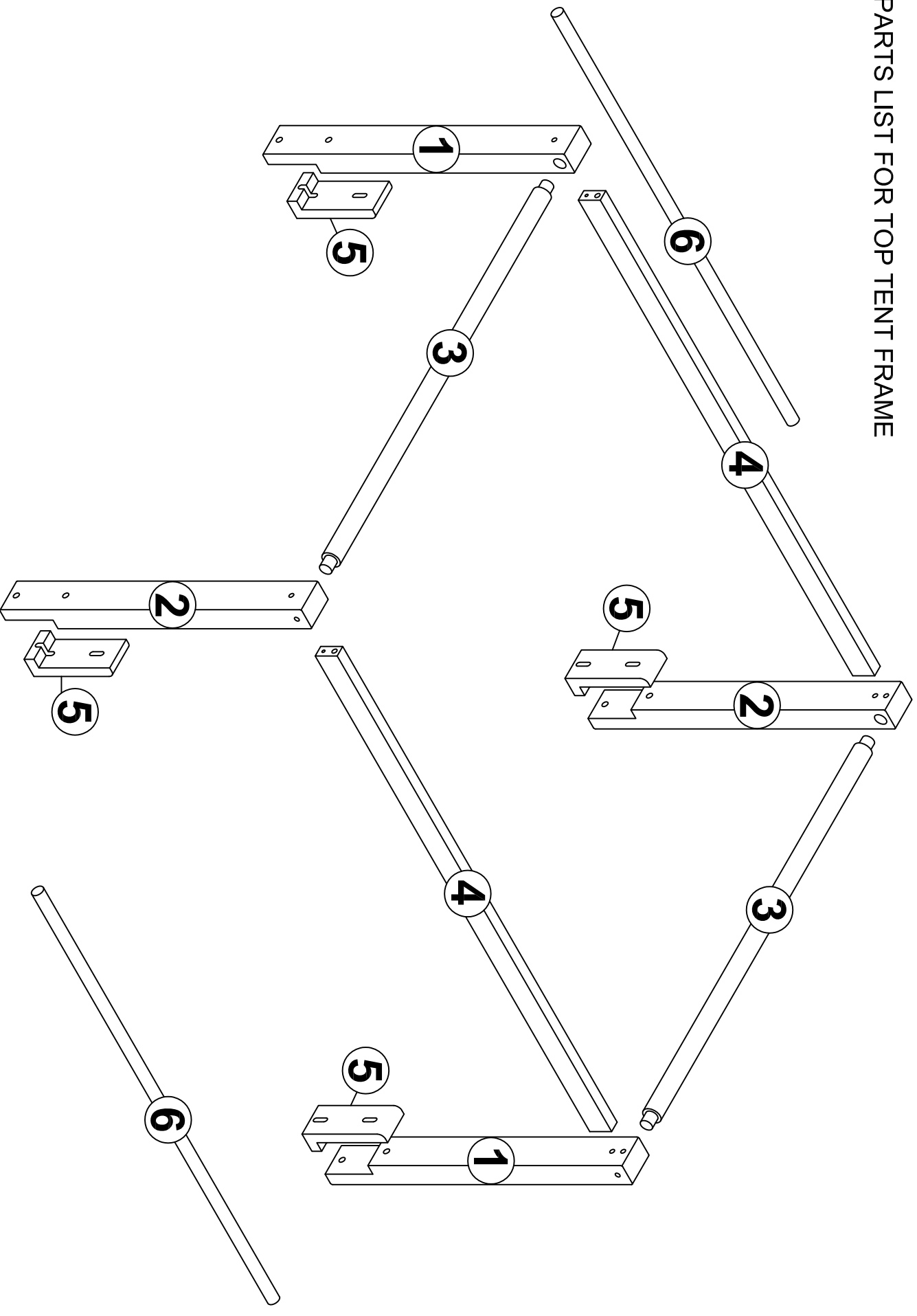
Model : 755 - TENT KIT

HARDWARE LIST

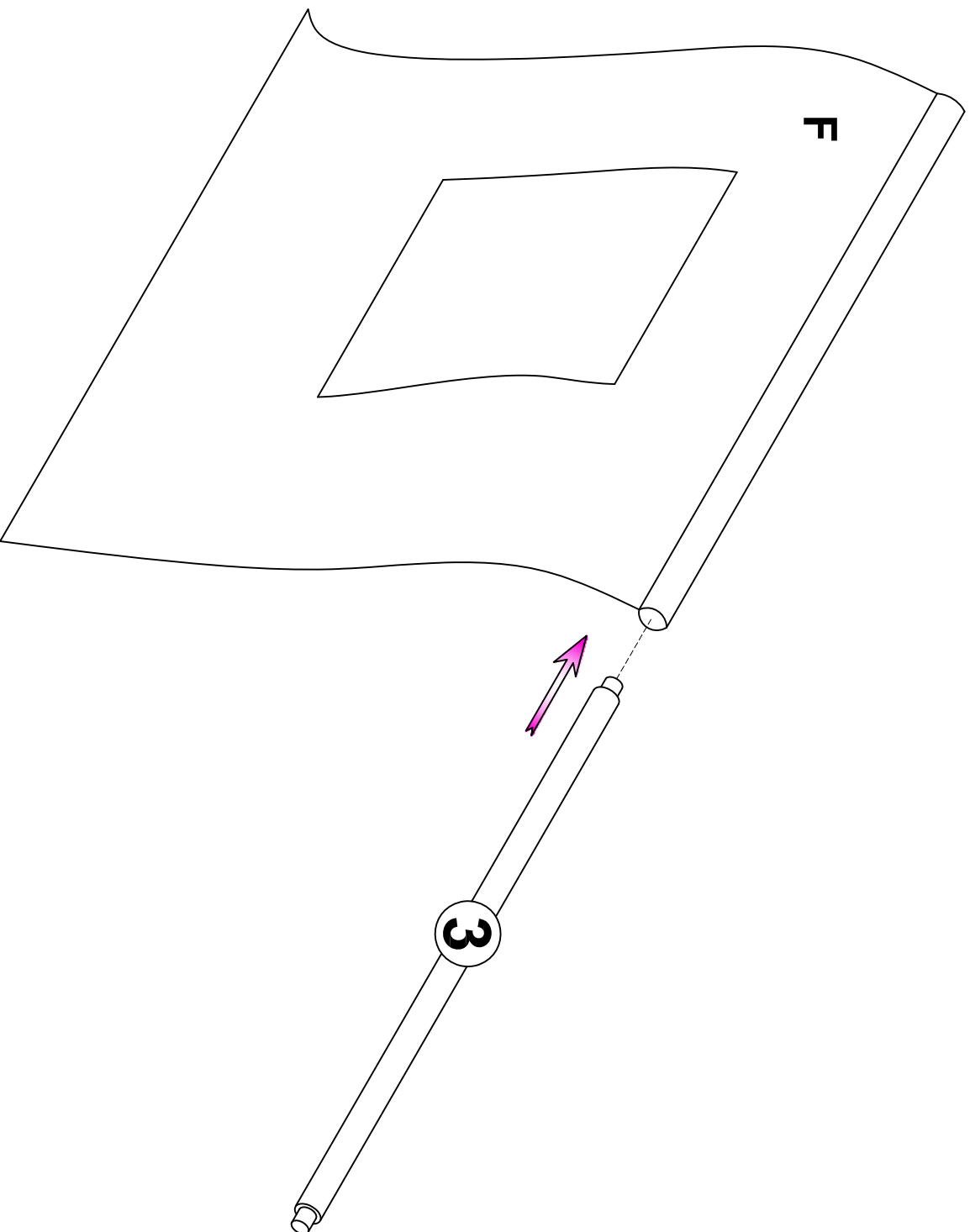
A		Ø8 * 30mm	4 pcs
B		(Ø15)Ø1/4 * 50mm	8 pcs
C		(Ø15)Ø1/4 * 15mm	8 pcs
D		(Ø15)Ø1/4 * 80mm	8 pcs
E		Ø1/4 * 60mm	1 pc
F		Top Tent Fabric	1 Set



PARTS LIST FOR TOP TENT FRAME

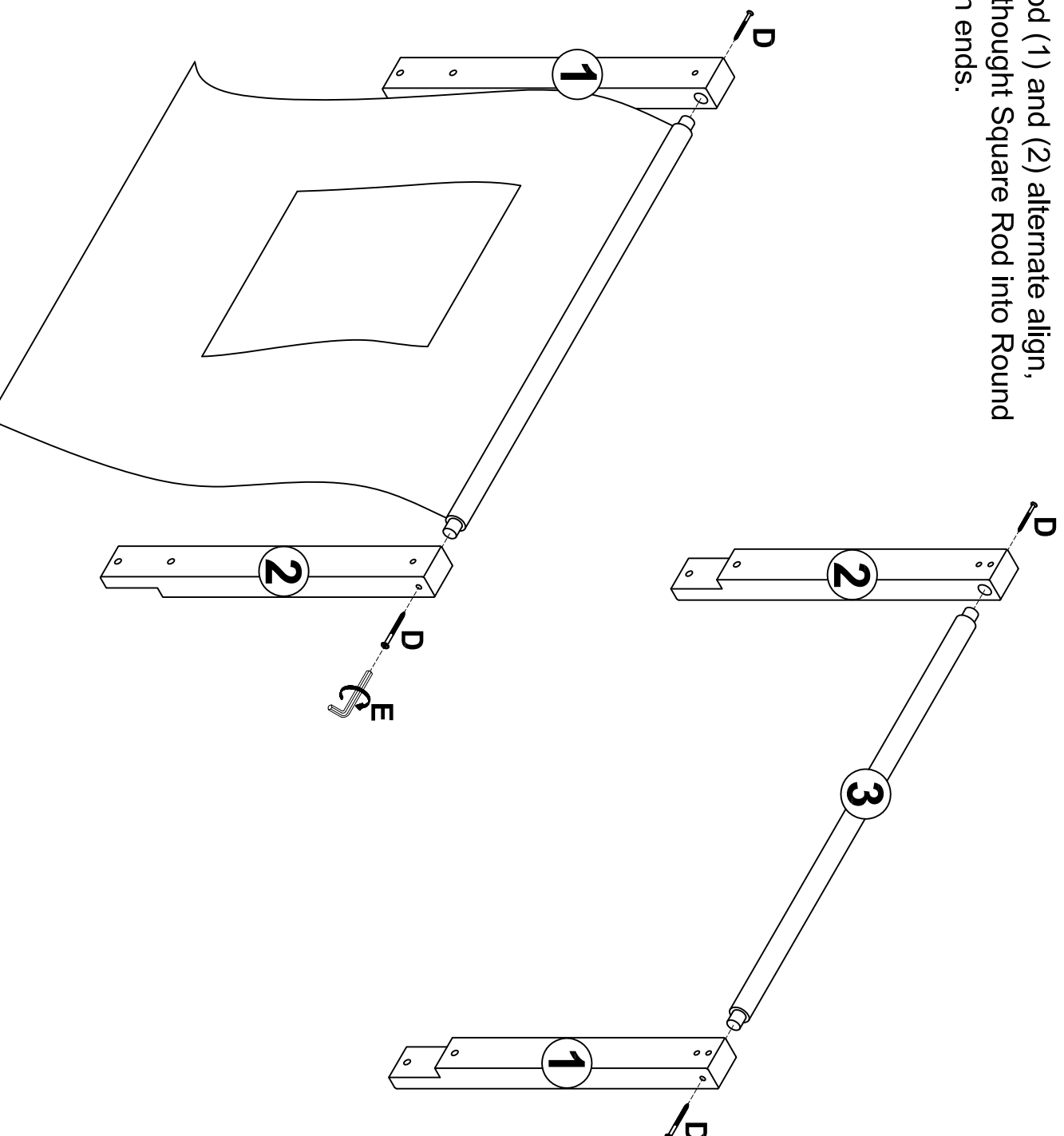


STEP 1: Complete assembly of Low Loft or Bunkbed

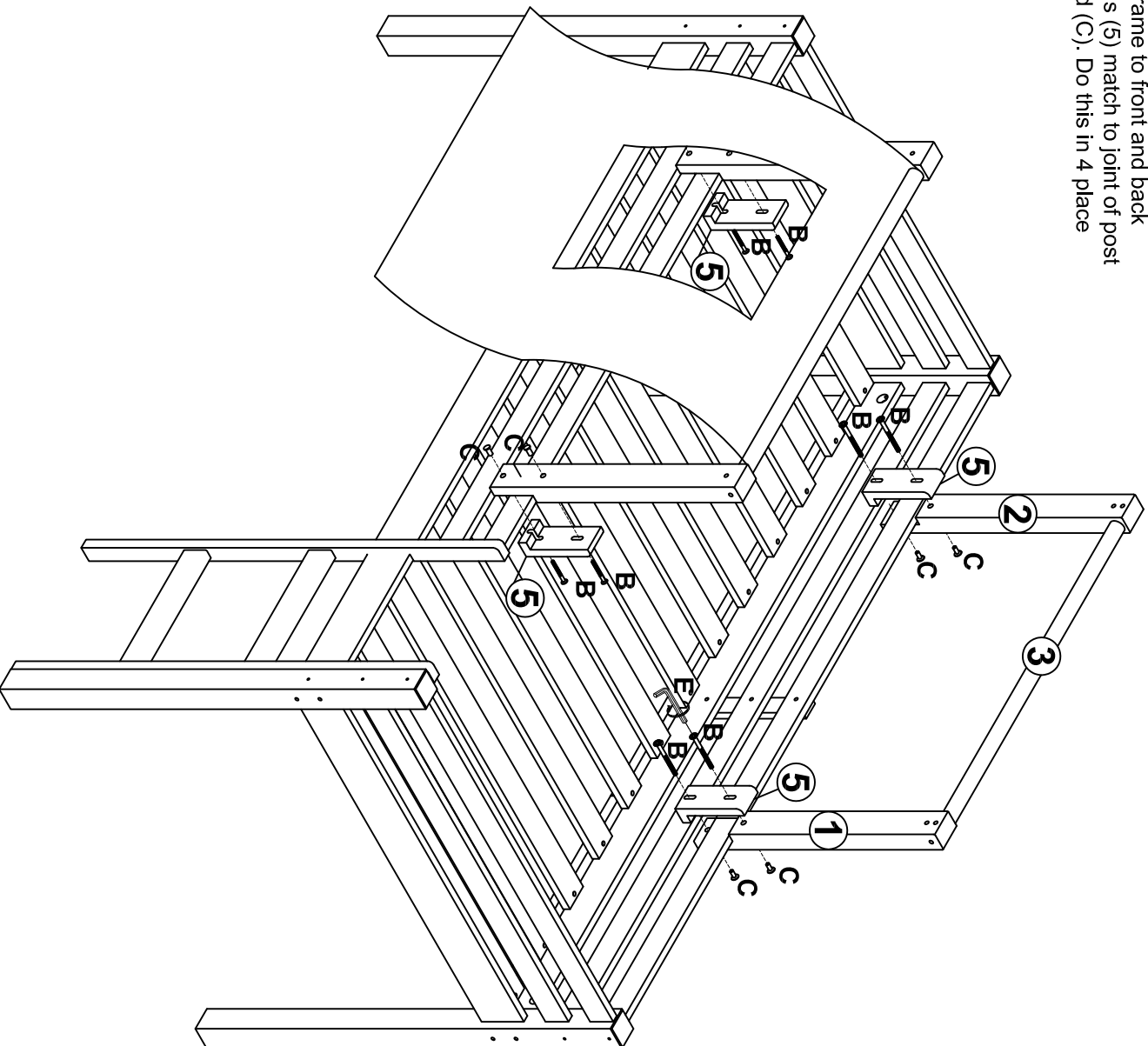


STEP 2: Insert Round Rod (3) into sleeve on Side Top Tent Fabric Ends (F) from front guardrail.

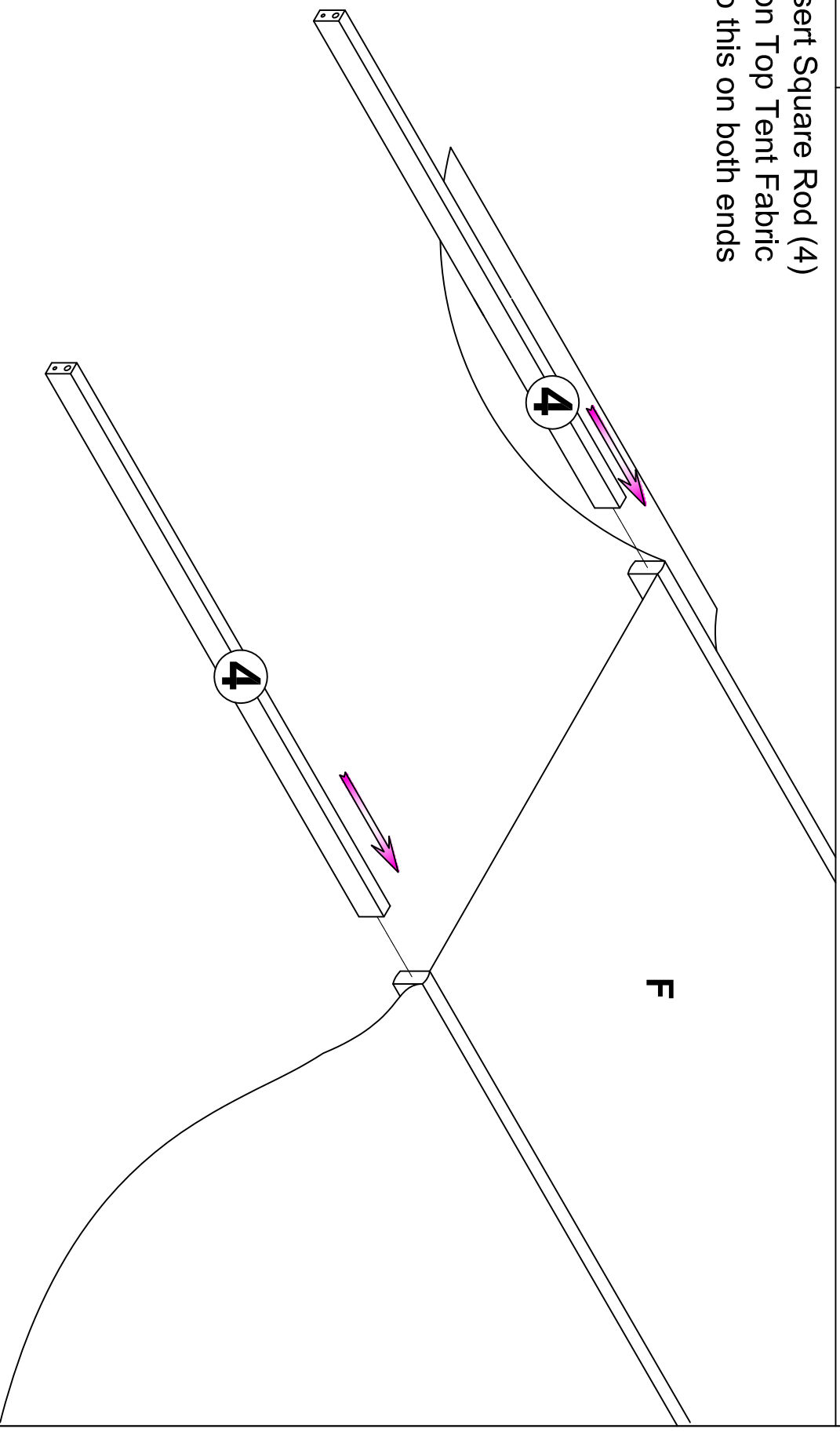
STEP 3: put Square Rod (1) and (2) alternate align, then tighten screw (D) thought Square Rod into Round Rod (3). Do this on both ends.



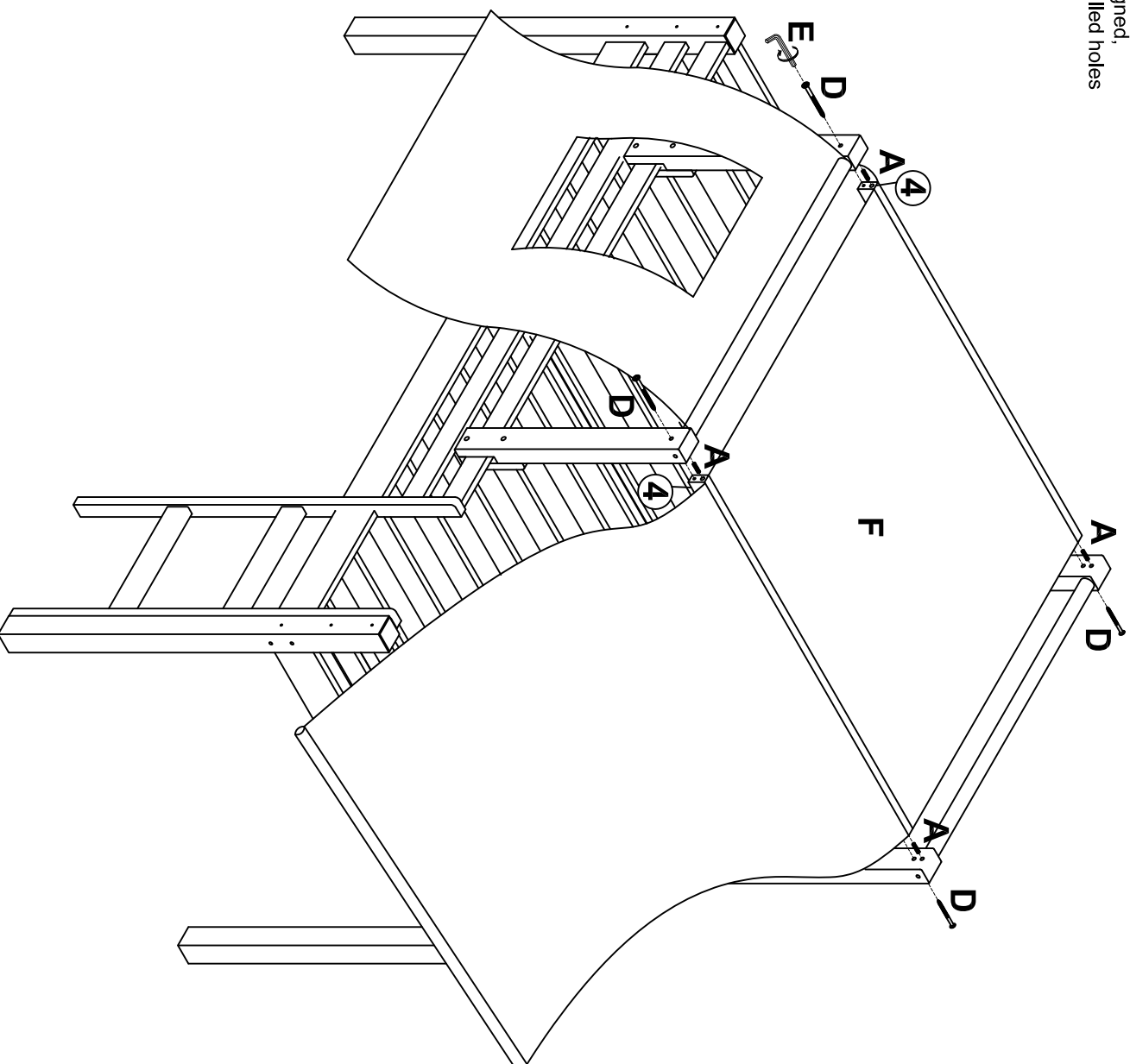
STEP 4: Attach Top Tent Frame to front and back guardrail, then put the bands (5) match to joint of post and tighten with bolt (B) and (C). Do this in 4 place



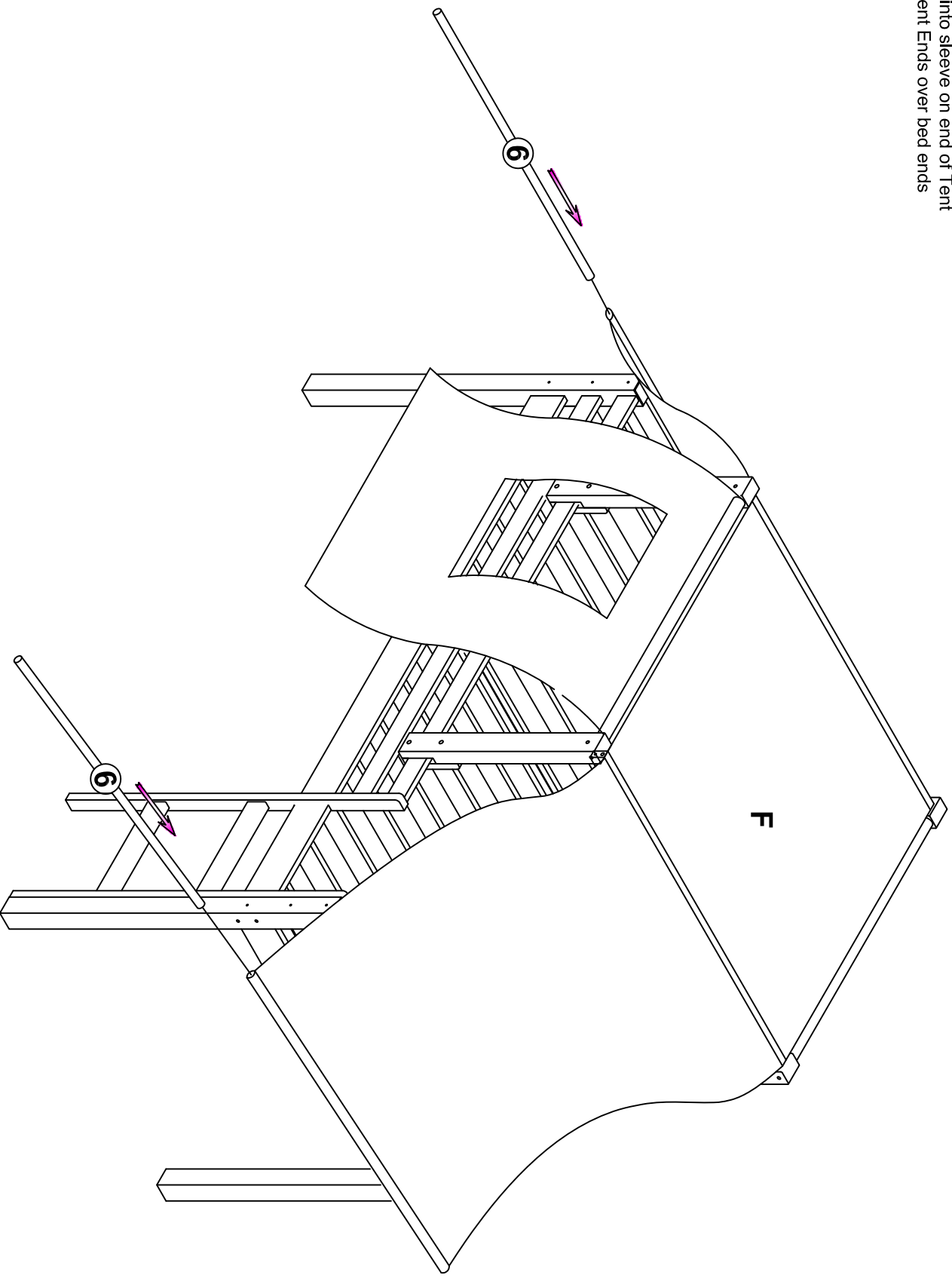
STEP 5: Insert Square Rod (4)
into sleeve on Top Tent Fabric
Ends (F). Do this on both ends



STEP 6: Put dowel (A) between Square Rod (4) and post aligned, then use Allen Head Wrench (E) tighten screw (D) into pre-drilled holes of post. Do this on 4 place



STEP 7: Insert Round Rod (6) into sleeve on end of Tent Fabric Ends (F). Lay the Top Tent Ends over bed ends



This completes the assembly of the Top Tent Frame and Top Tent Fabric

