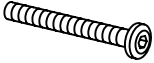
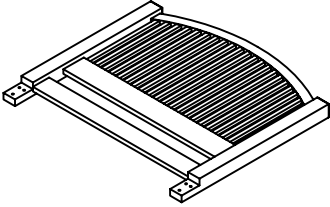
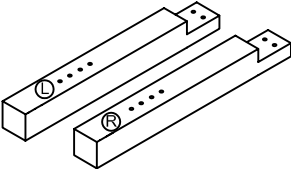

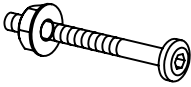
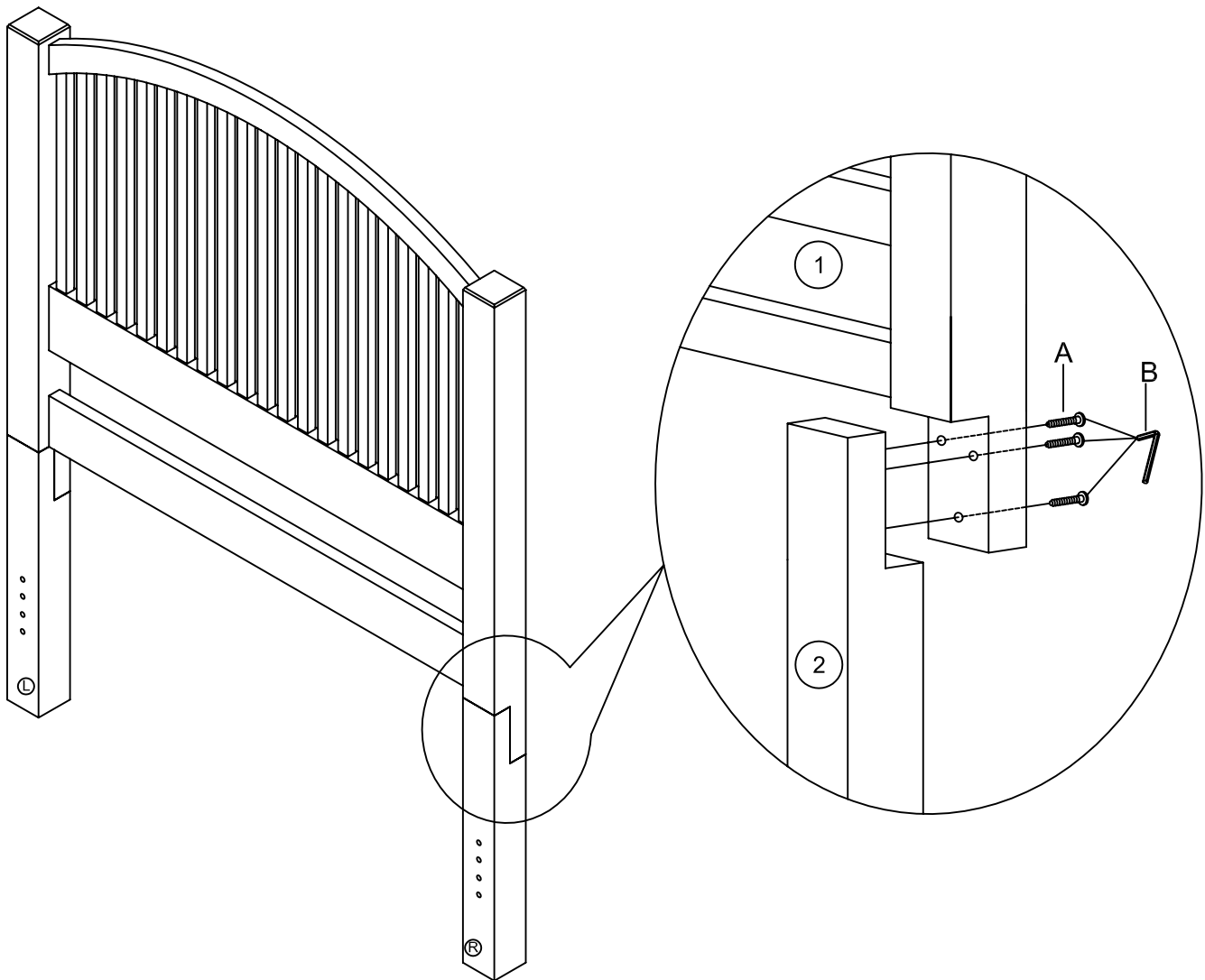


ASSEMBLY INSTRUCTION

HEADBOARD

Model # 708TH/FH

HARDWARE LIST				PART LIST	
Part	Qty	Description	Picture		
A	6	Allen Bolt Ø6.3 x L45mm			
B	1	Allen key M4			
HARDWARE ENCLOSE					
1	4PCS	Bolt			



CARE & MAINTENANCE: The touch of a soft cloth is all the maintenance the finish of your new Headboard will ever need. Please do not use harsh or abrasive cleaners for polishing, as they may cause damage to the finish. Periodic checks are recommended to make sure that all bolts and nuts are securely tightened.