









# ASSEMBLY INSTRUCTION

## TWIN SLEIGH BED

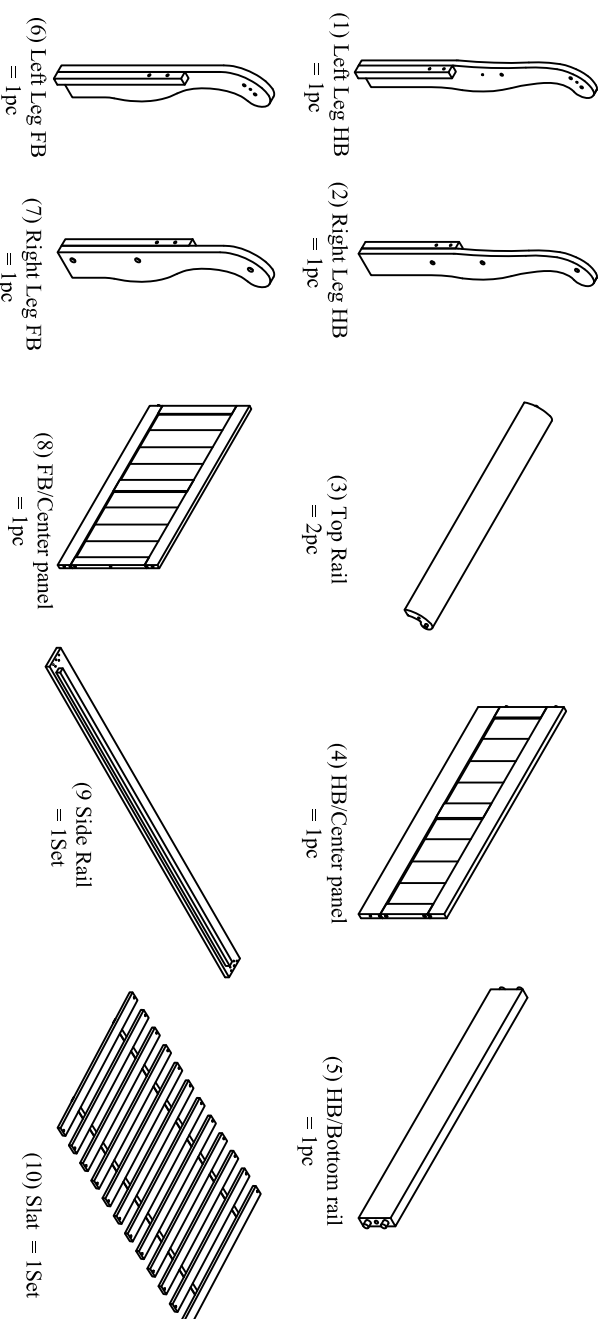
ITEM: 325 - 325 TW

PAGE 1 OF 2

### HARDWARE LIST

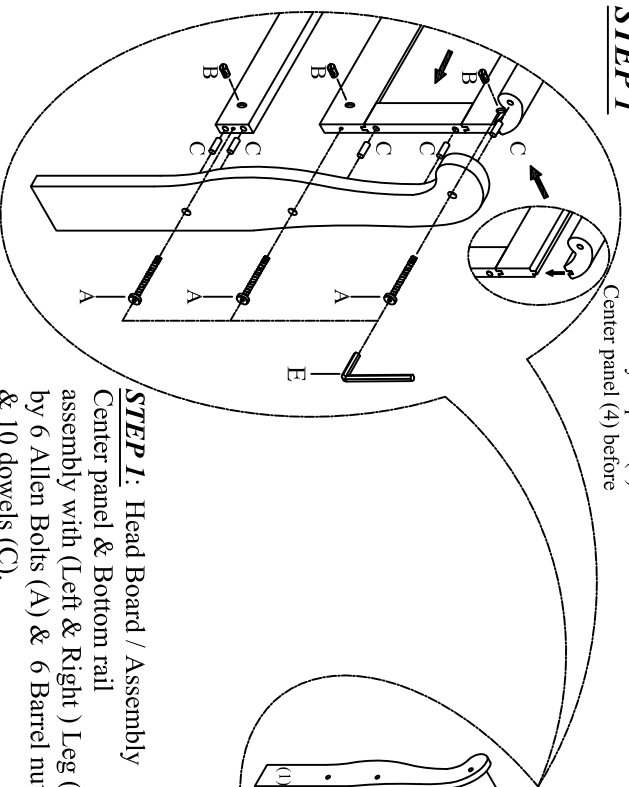
N.O	Qty	Description	Picture
A	12	Allen bolt Ø1/4" x L2"3/4	
B	12	Barrel Nuts	
C	16	Wood Dowels Ø10 x 40mm	
D	8	Screws Ø4 x 30mm	
E	1	Allen key M4	
F	8	Allen bolt Ø5/16" x L1"1/4	
G	4	Metal Plate	
H	20	Screws Ø4 x 20mm	

### PART LIST



### STEP 1

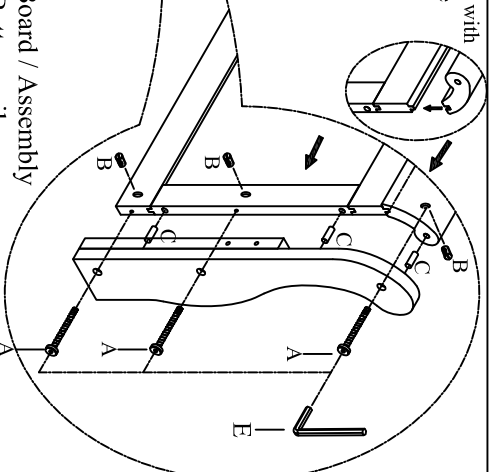
Assembly Top rail (3) with Center panel (4) before



**STEP 1:** Head Board / Assembly Center panel & Bottom rail assembly with (Left & Right ) Leg (1 & 2) by 6 Allen Bolts (A) & 6 Barrel nut (B) & 10 dowels (C).

### STEP 2

Assembly Top rail (3) with Center panel (8) before



**STEP 2:** Foot Board / Assembly Center panel & Bottom rail assembly with (Left & Right ) Leg (6 & 7) by 6 Allen Bolts (A) & 6 Barrel nuts (B) & 6 dowels (C).

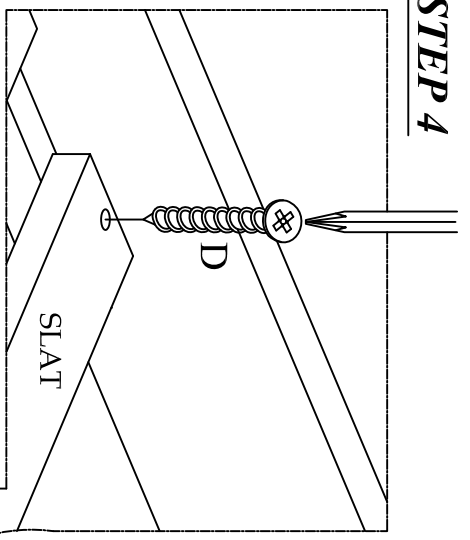
MADE IN VIET NAM

# ASSEMBLY INSTRUCTION

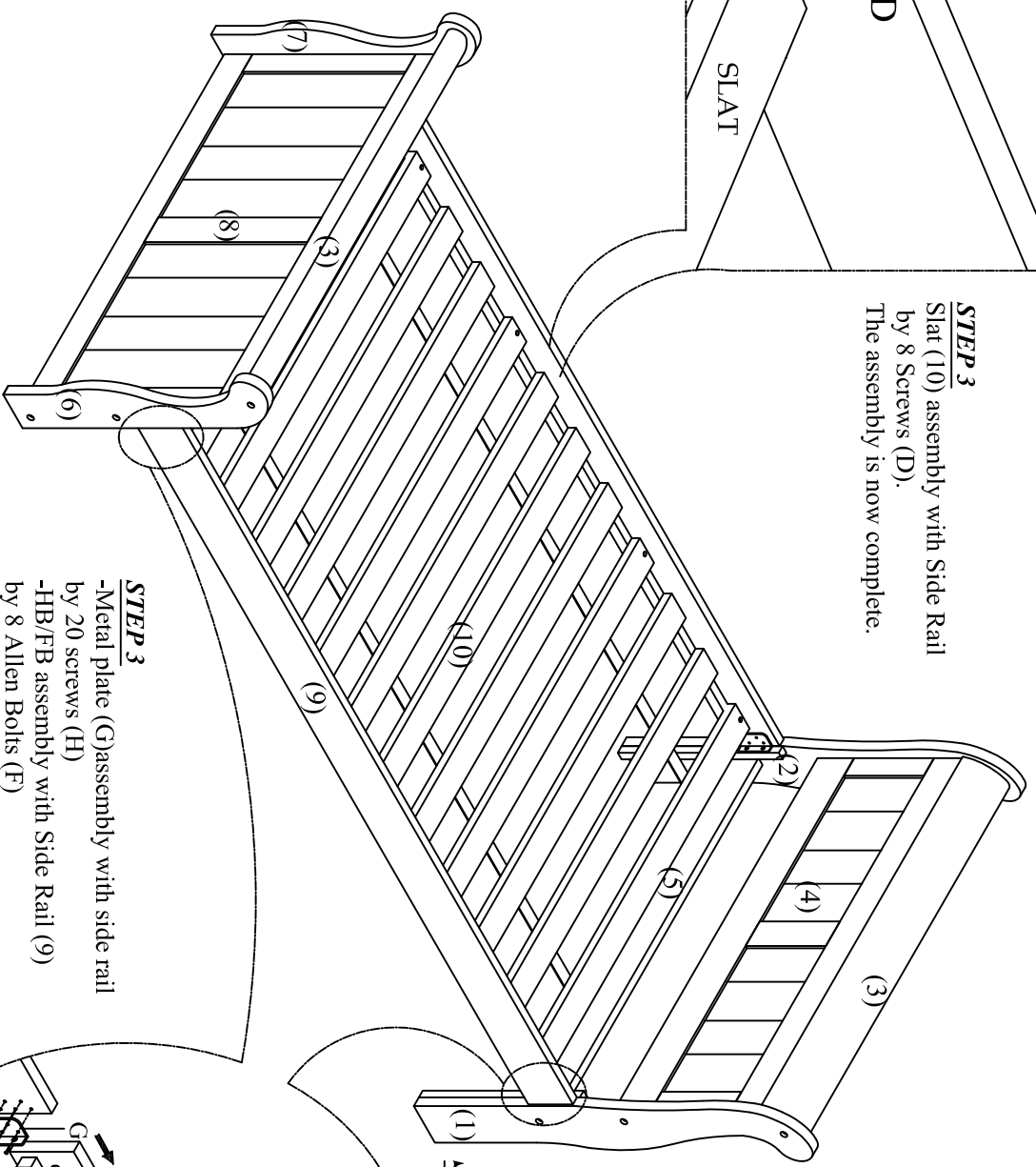
## TWIN SLEIGH BED

ITEM: 325 - 325 TW

### STEP 4



**STEP 3**  
Slat (10) assembly with Side Rail  
by 8 Screws (D).  
The assembly is now complete.



### STEP 3

**STEP 3**  
-Metal plate (G) assembly with side rail  
by 20 screws (H)  
-HB/FB assembly with Side Rail (9)  
by 8 Allen Bolts (F)

