



314 ARCH PANEL BUNK BED

SAFETY WARNINGS

1. Follow the information on the warnings appearing on the upper bunk end structure and on the carton. Do not remove warning label from bed.
2. Always use the recommended size mattress or mattress support, or both, to help prevent the likelihood of entrapment or falls.
3. Surface of mattress must be at least 5 inches (127mm) below the upper edge of guardrails.
4. Do not allow children under 6 years of age to use the upper bunk.
5. Prohibit more than one person on the upper bunk
6. Periodicall, check and ensure that the guardrail, ladder, and other components are in their proper position, free from damage, and that all connectors are tight.
7. Do not allow horseplay on or under the bed and prohibit jumping on the bed.
8. Always use the ladder for entering and leaving the upper bunk.
9. Do not use substitute parts. Contact the manufacturer or dealer for replacement parts.
10. Use of a nightlight may provide added safety precaution for a child using the upper bunk.
11. Always use guardrail on both long sides of the upper bunk. If bunk bed will be placed next to the wall, the guardrail that runs the full length of the bed should be place against the wall to prevent entrapment between the bed and wall.
12. The use of water or sleep flotation mattresses is prohibited.
13. Keep these instruction for future reference.

STRANGULATION HAZARD - Never attach or hang items to any part of the bunk bed that are not designed for use with the bed ; for example, but not limited to, hooks, belts and jump ropes.

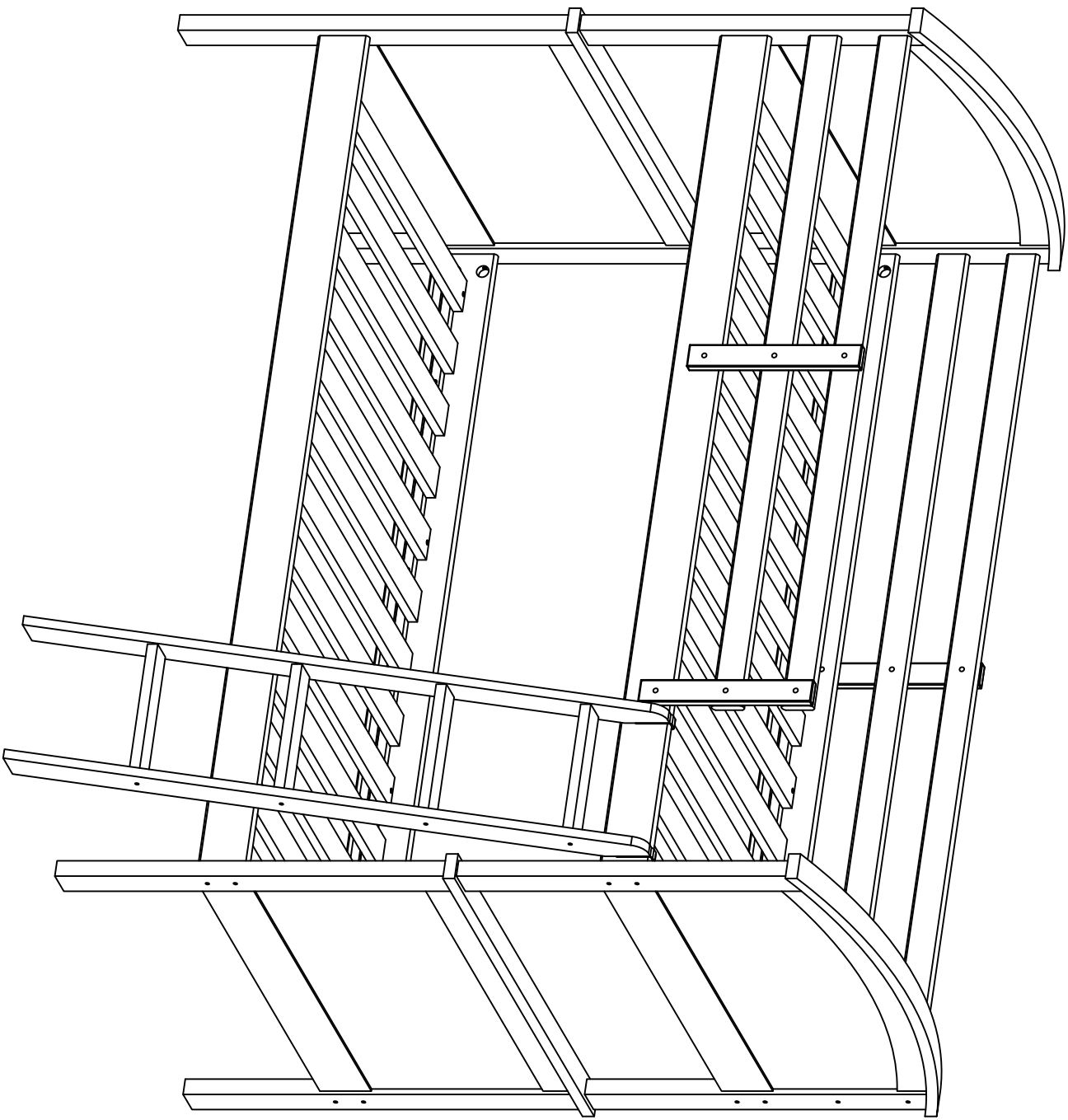
SIZE OF MATTRESS AND FOUNDATION

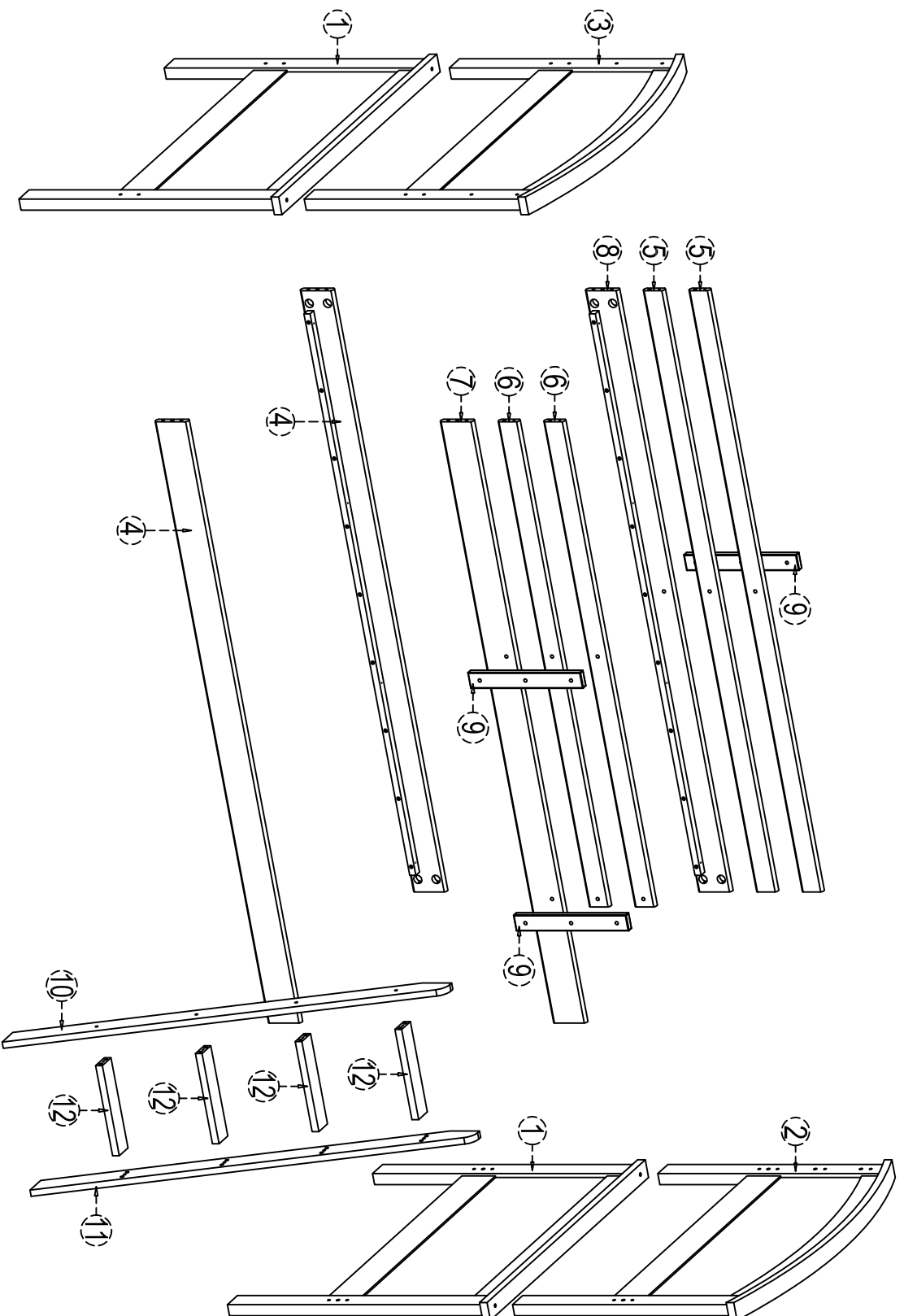
Use only mattress which is 74" - 75" long and 37 ½" - 38 ½" wide on twin upper bunk.

Ensure thickness of mattress and foundation combined does not exceed 9" and mattress is at least 5" below upper edge of guardrails.

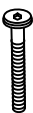









Replacement parts, may be obtained from any Donco dealer or directly from us at the below address.

**6801 Snowden Road Fort
Worth, Texas 76140**

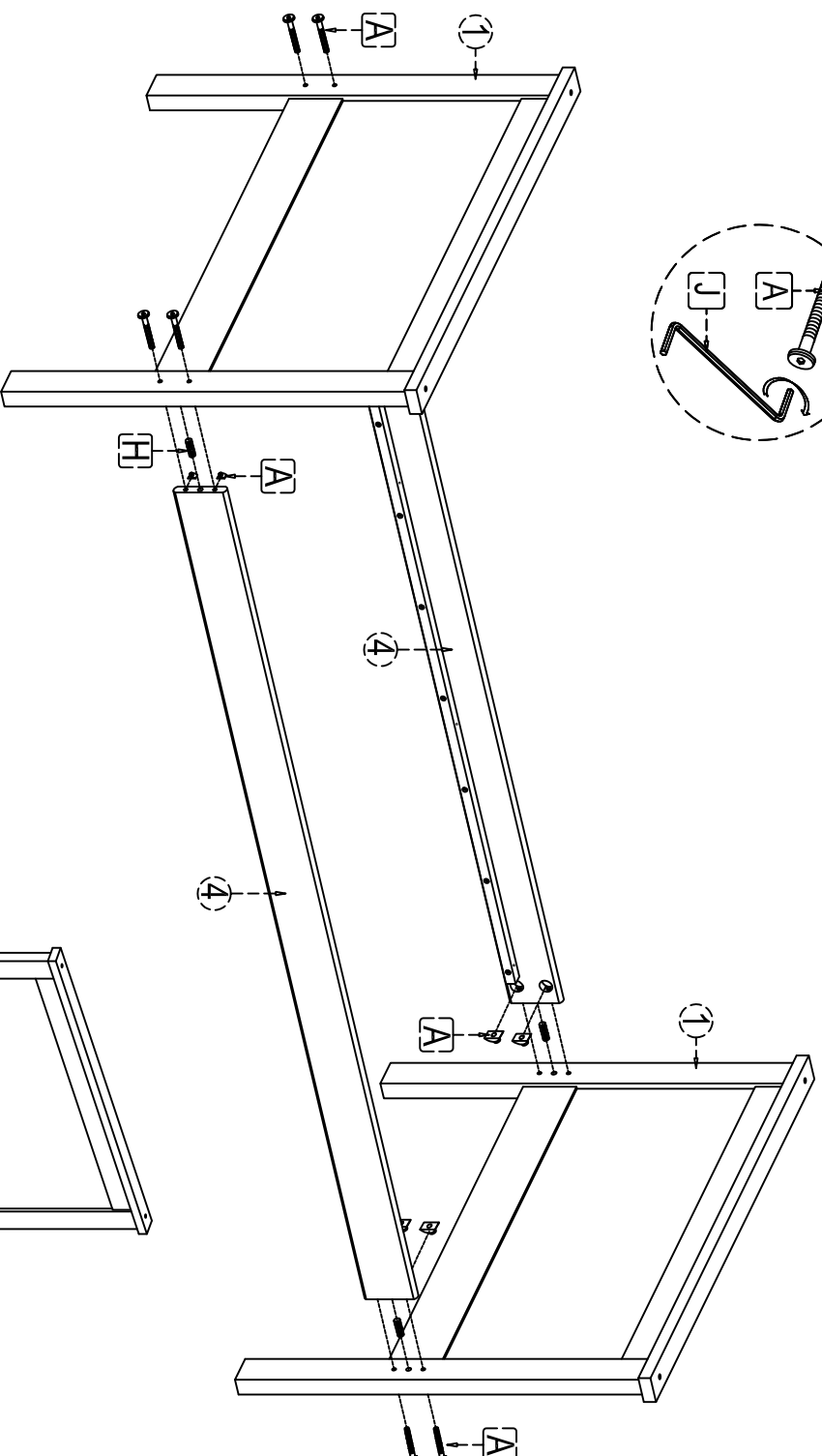
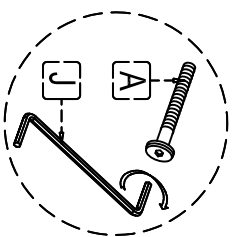




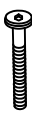


COMPLETE HARDWARE LIST

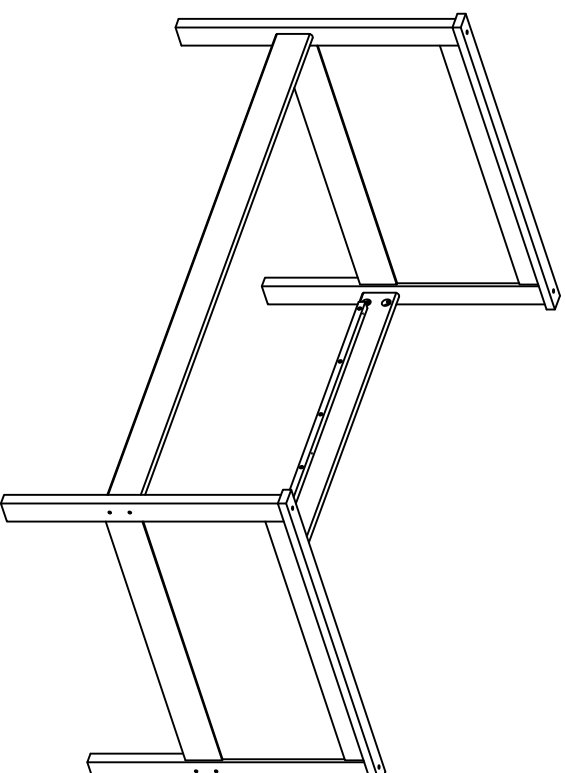
| A | |  | φ6x80 mm | 16 pcs |
|---|---|---|------------------|--------|
| B | |  | Half moon | 16 pcs |
| C | |  | Female Half Moon | 9 pcs |
| D |  | φ7x70 mm | 6 pcs | |
| E |  | φ4x30 mm | 16 pcs | |
| F |  | φ4x15 mm | 6 pcs | |
| G |  | φ12x100 mm | 4 pcs | |
| H |  | φ10x40 mm | 30 pcs | |
| I |  | Bracket | 2 pcs | |
| J |  | Allen Key | 2 pcs | |

Step 1

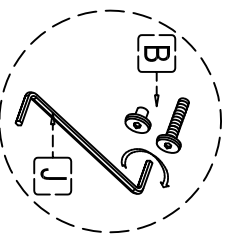
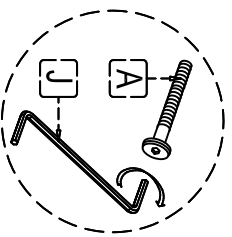
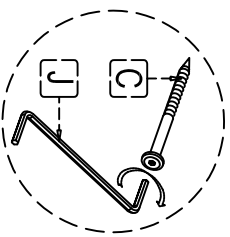


HARDWARE - STEP 1

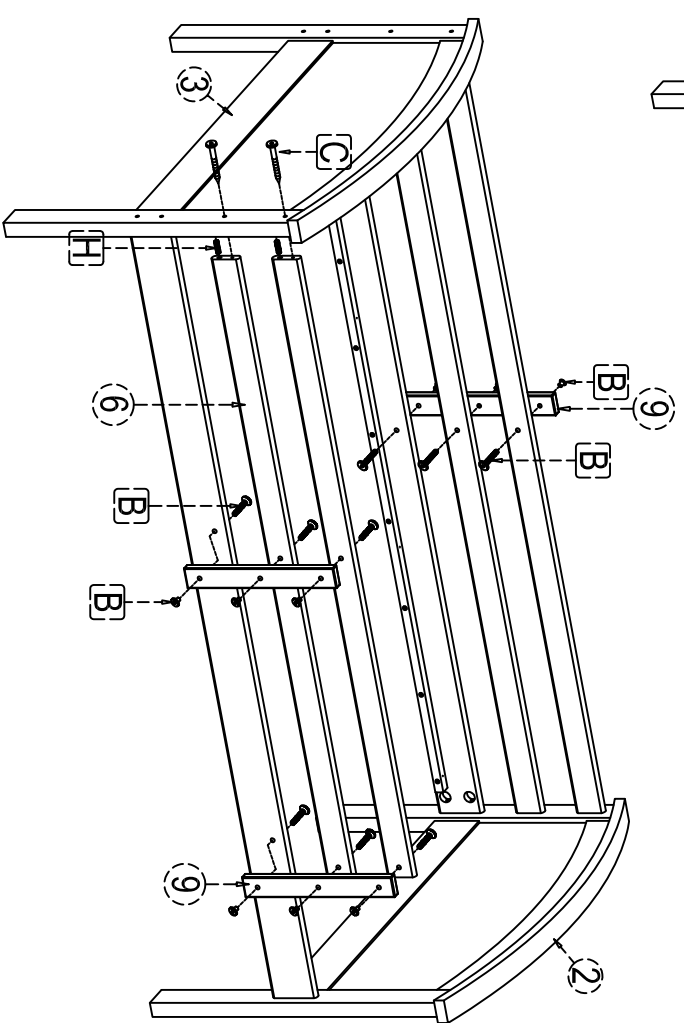
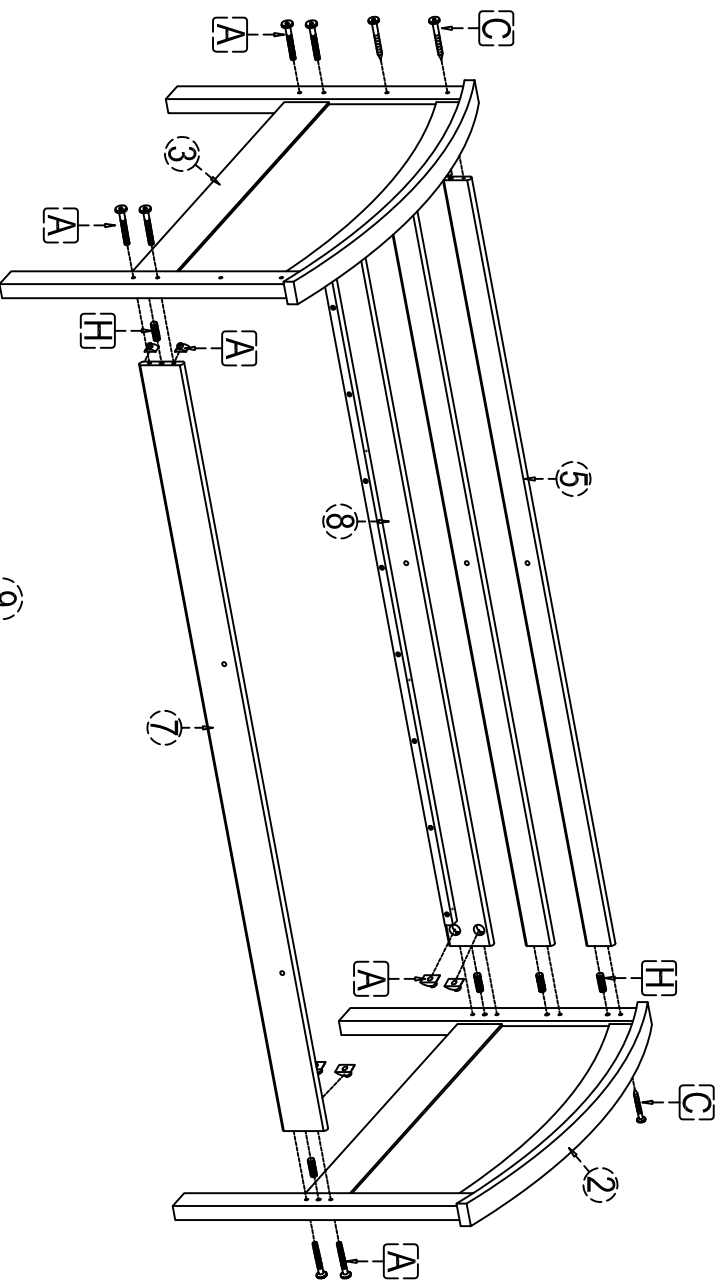
| | | | |
|----------|---|-----------|-------|
| A |  | Ø6x80mm | 8 pcs |
| H |  | Half moon | 8 pcs |
| J |  | Allen Key | 1 pc |



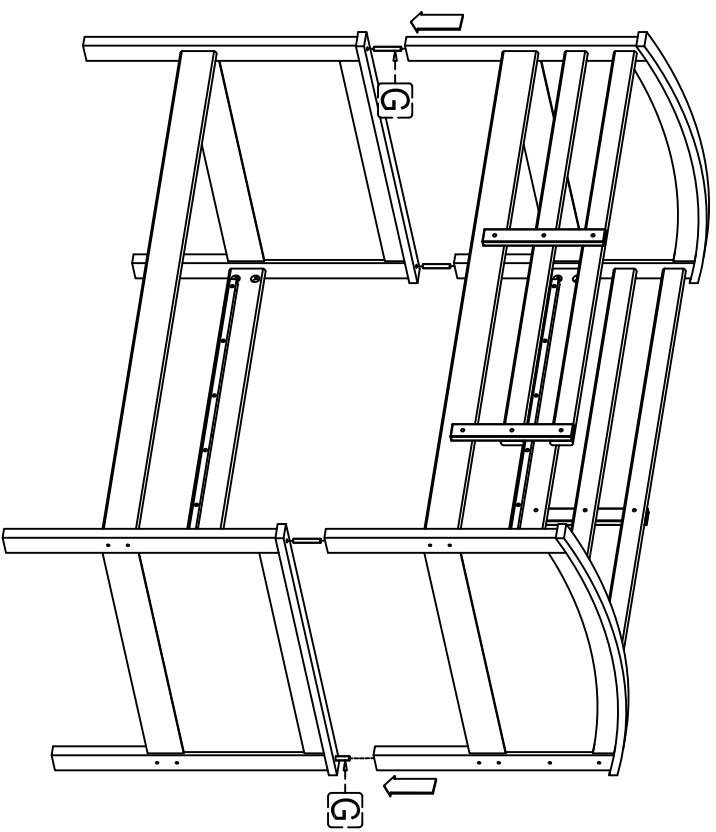
Step 2



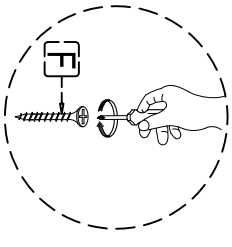
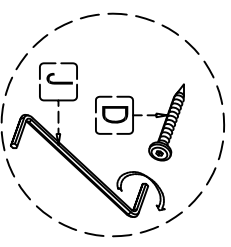
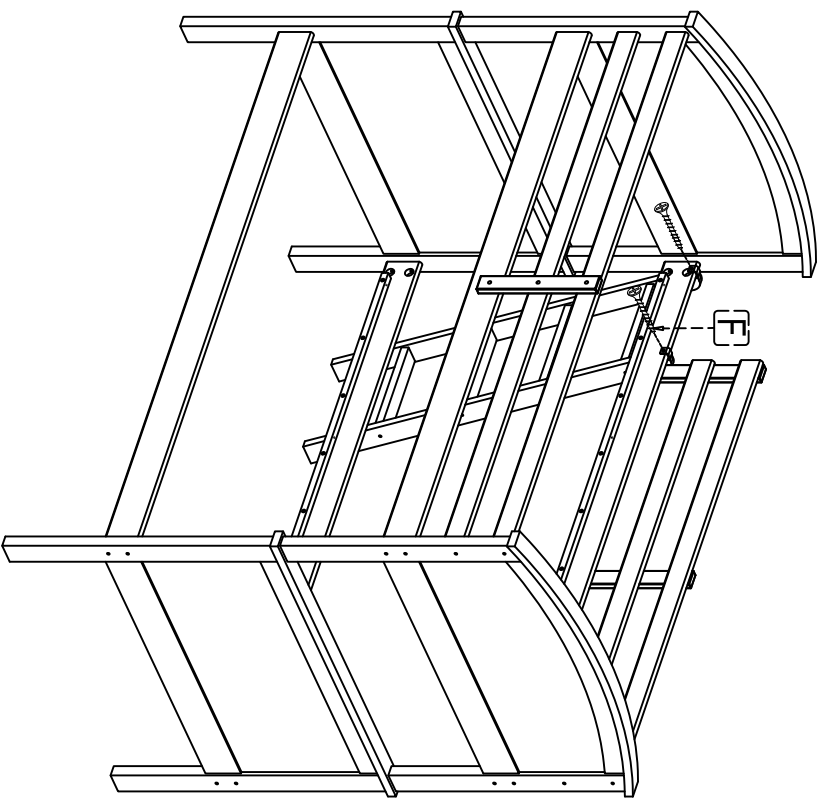
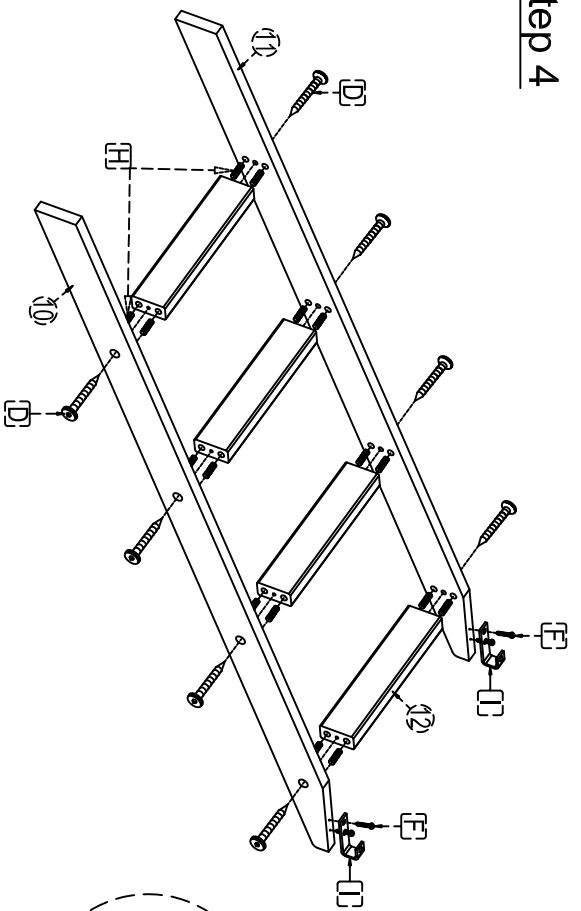
| HARDWARE - STEP 2 | | | |
|-------------------|--|------------------|--------|
| A | | Ø6x80 mm | 8 pcs |
| | | Half Moon | 8 pcs |
| B | | Ø6x35 mm | 9 pcs |
| | | Female Half Moon | 9 pcs |
| C | | Ø7x70 mm | 6 pcs |
| H | | Ø10x40 mm | 10 pcs |
| J | | Allen Key | 2 pcs |









Step 3



Step 4

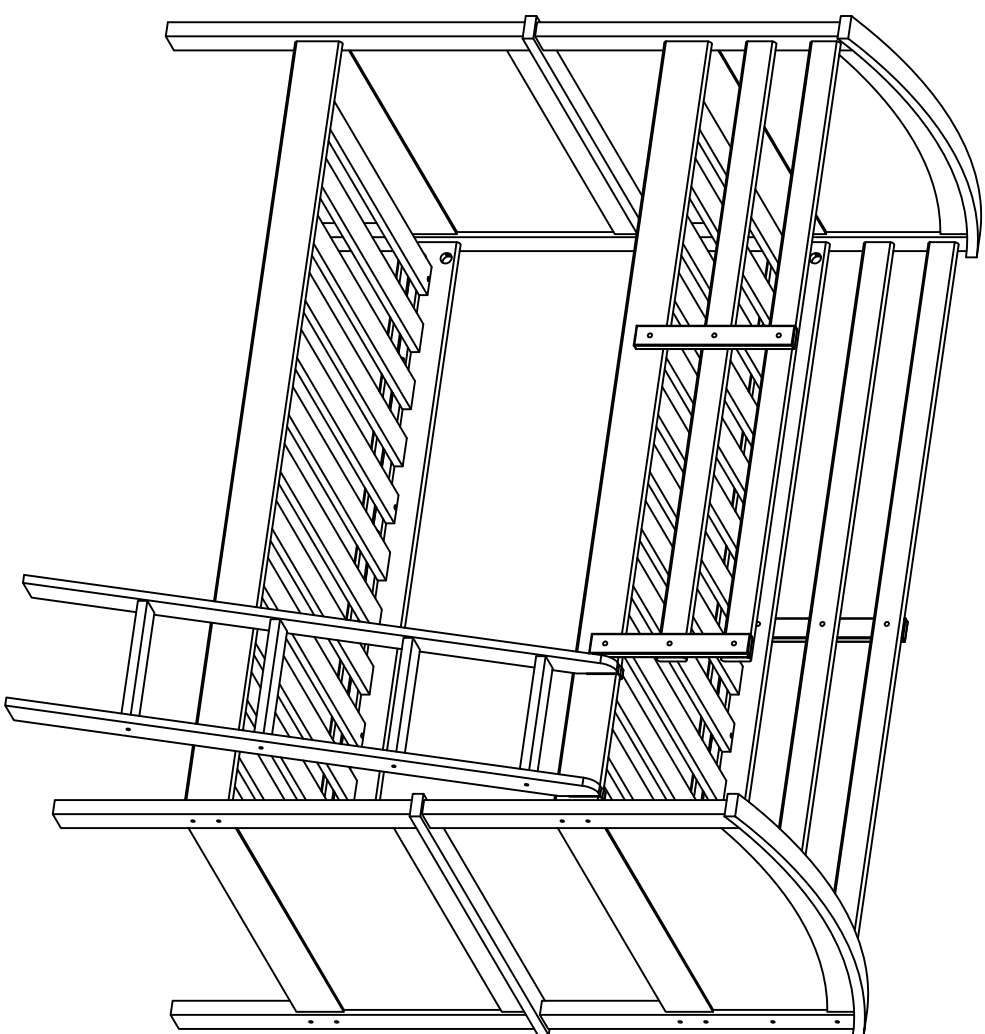
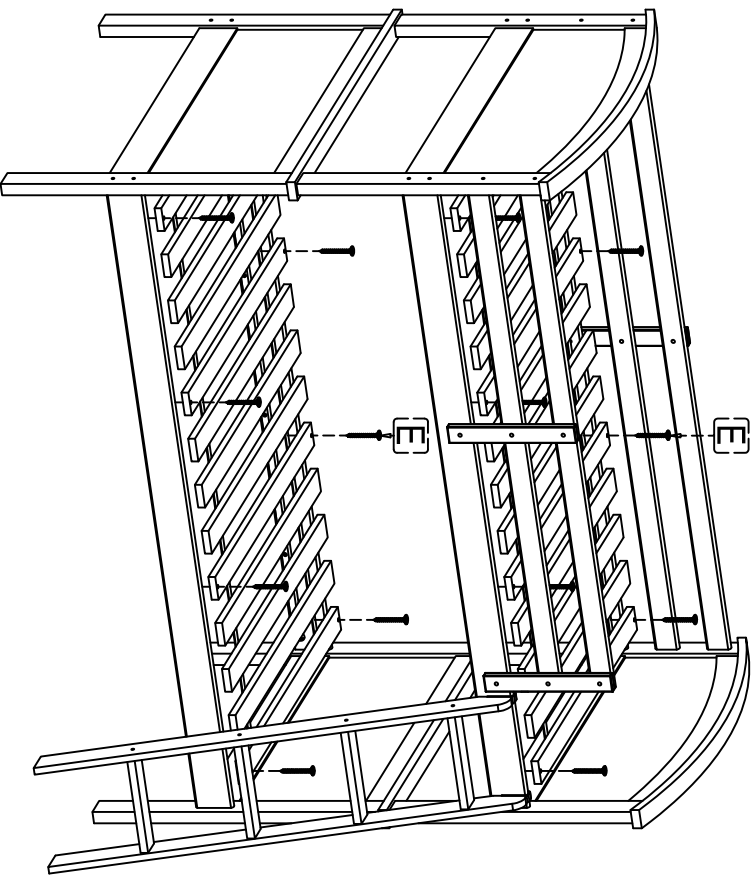
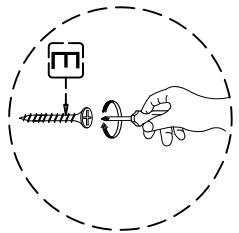


HARDWARE - STEP 3+4

| | | | |
|----------|---|------------|--------|
| D |  | φ7x50 mm | 8 pcs |
| F |  | φ4x15 mm | 6 pcs |
| G |  | φ12x100 mm | 4 pcs |
| H |  | φ10x40 mm | 16 pcs |
| I |  | Bracket | 2 pcs |
| J |  | Allen Key | 1 pc |

Step 5

Finish



HARDWARE - STEP 5

E



Ø4x30 mm

16 pcs