

ASSEMBLY INSTRUCTION

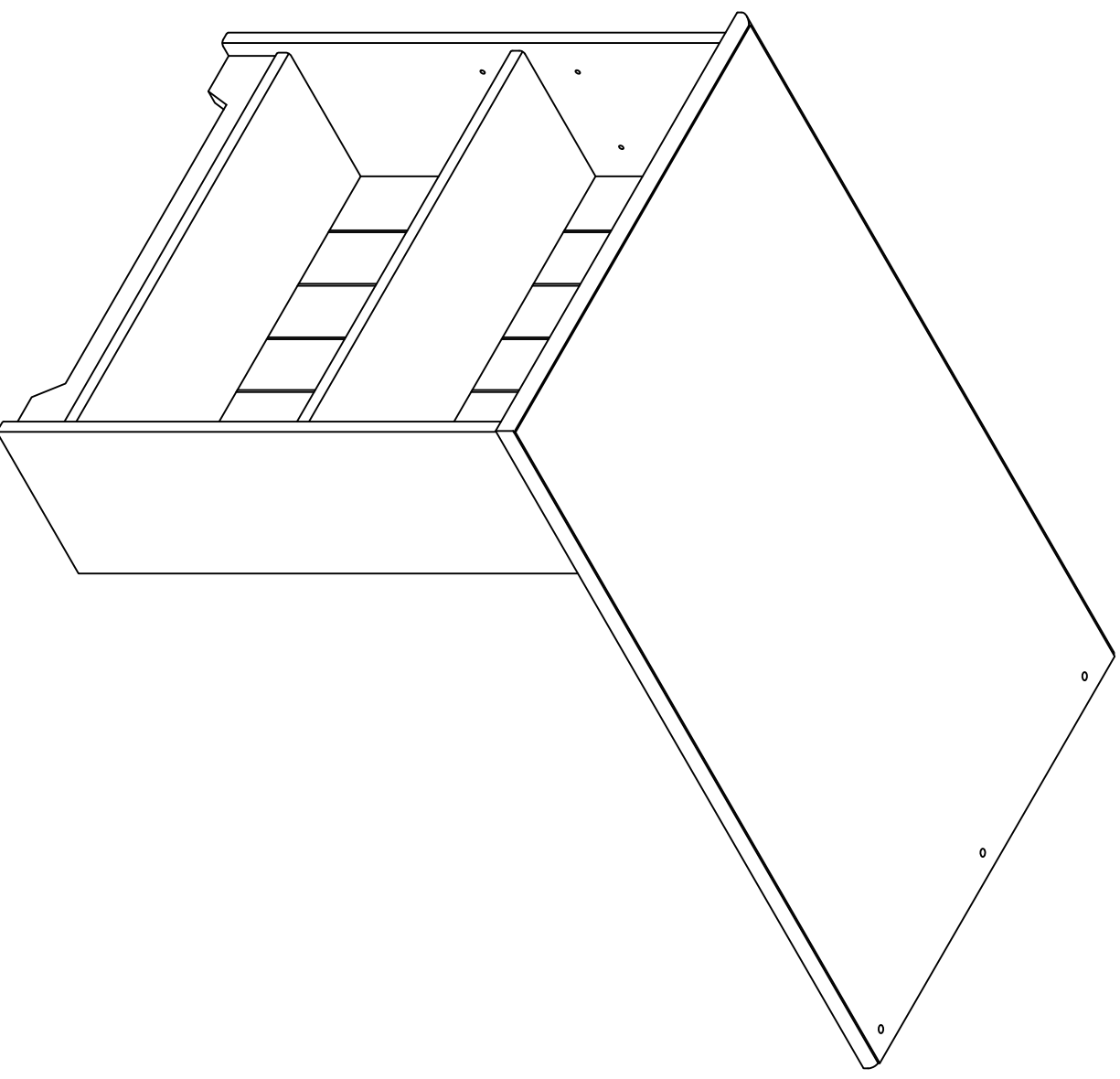
Model : 235 DG - LOW LOFT DESK

BEFORE YOU BEGIN:

open, identify and count all hardware and parts. You should have everything on the **HARDWARE INCLUDED** and **PARTS INCLUDED** list provided with these instructions.

Assemble on a clean flat surface to assure that parts fit together squarely and flush. We recommend a carpeted surface.

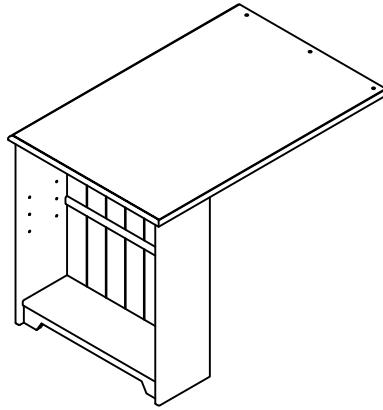
You may also wish to use a blanket to prevent scratching of wood during the assembly process.






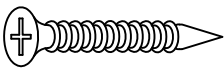

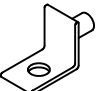

MADE IN VIET NAM

ASSEMBLY INSTRUCTION

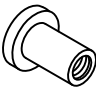
Model : 235 DG - LOW LOFT DESK



HARDWARE LIST

A		Ø8 * 30mm	14 pcs
B		Ø1/4 * 30mm	8 pcs
C		Ø4 * 50mm	1 pc
D		Ø4 * 30mm	1 pc
E		Ø3.5 * 15mm	12pcs
F			4pcs
i			2 pcs

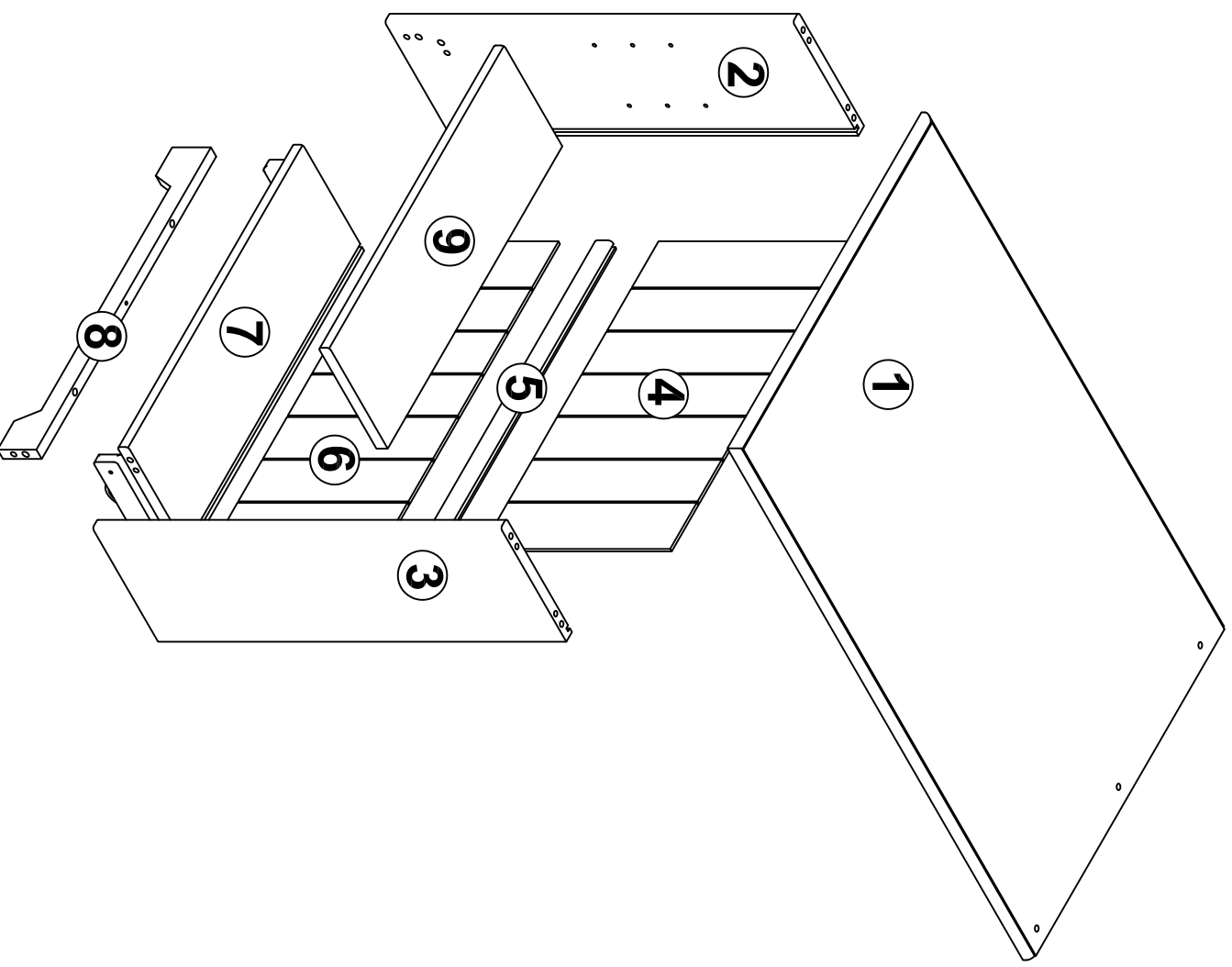
HARDWARE ENCLOSE

J		Ø9 * 15mm	3 pcs
----------	---	-----------	-------

For easy identification during assembly sort hardware into separate piles making sure you have correct quantities of each.
Using the incorrect hardware may lead to damage

PARTS INCLUDED



Locate and identify pieces required for assembly.
CAUTION: some pieces may look alike but may have some screw or dowel in different locations.
Be sure to positively identify parts before fastening.

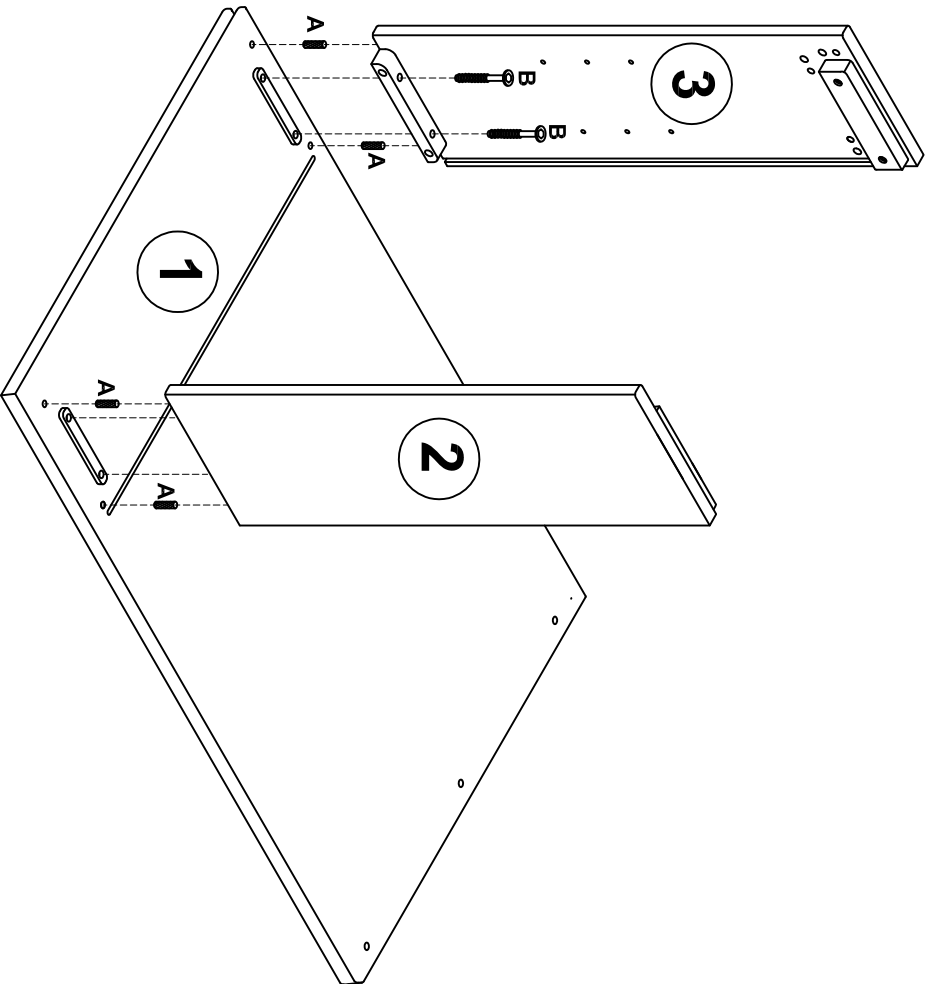


ASSEMBLY INSTRUCTION

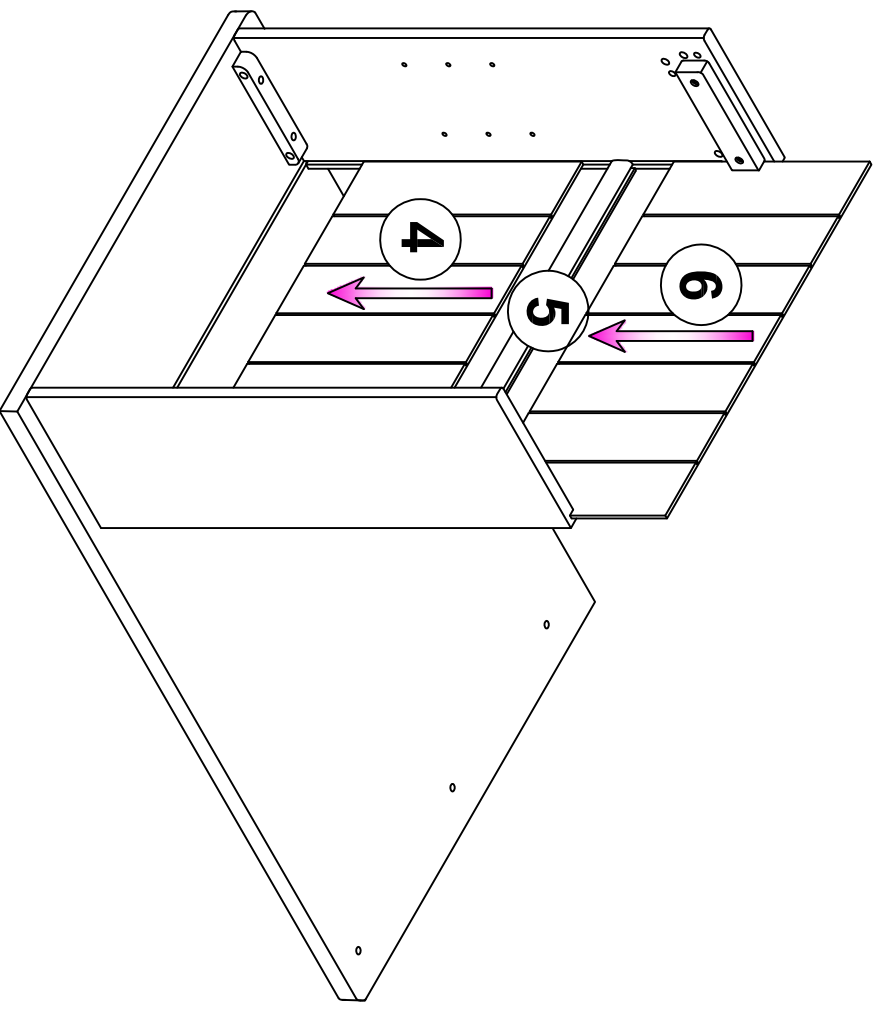
Model : 235 DG - LOW LOFT DESK

Step 1

A		Ø8 * 30mm	4 pcs
B		Ø1/4 * 30mm	4 pcs





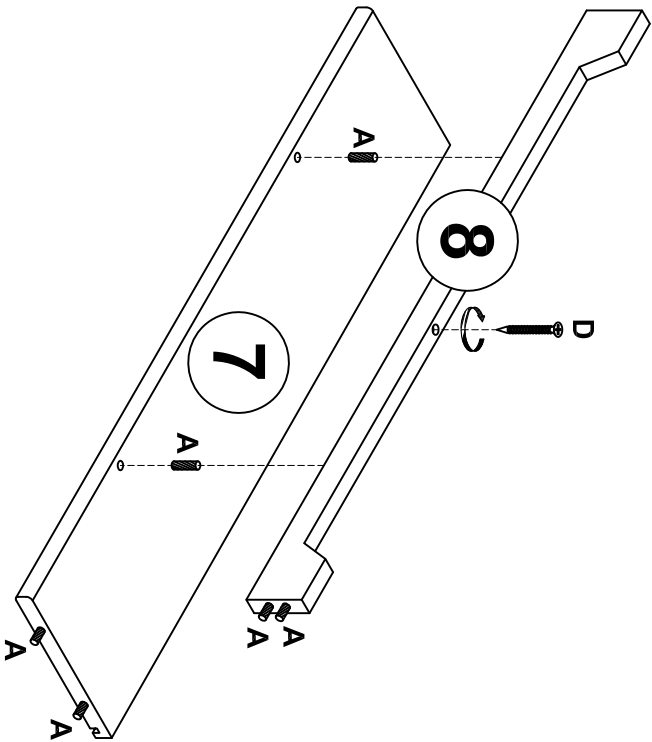
Step 2




ASSEMBLY INSTRUCTION
Model : 235 DG - LOW LOFT DESK

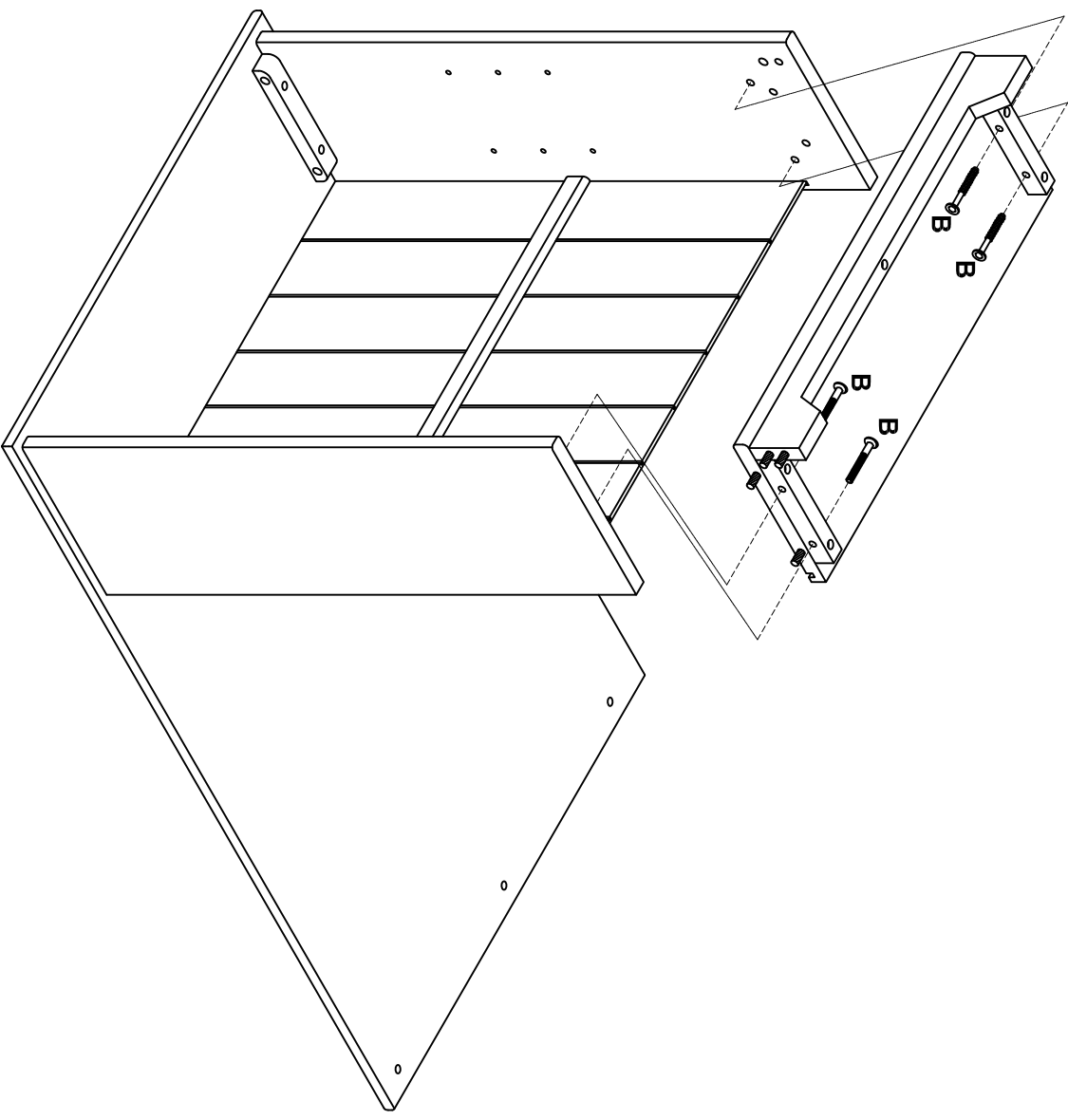
Step 3

A		Ø8 * 30mm	10 pcs
D		Ø4 * 30mm	1 pcs




Step 4

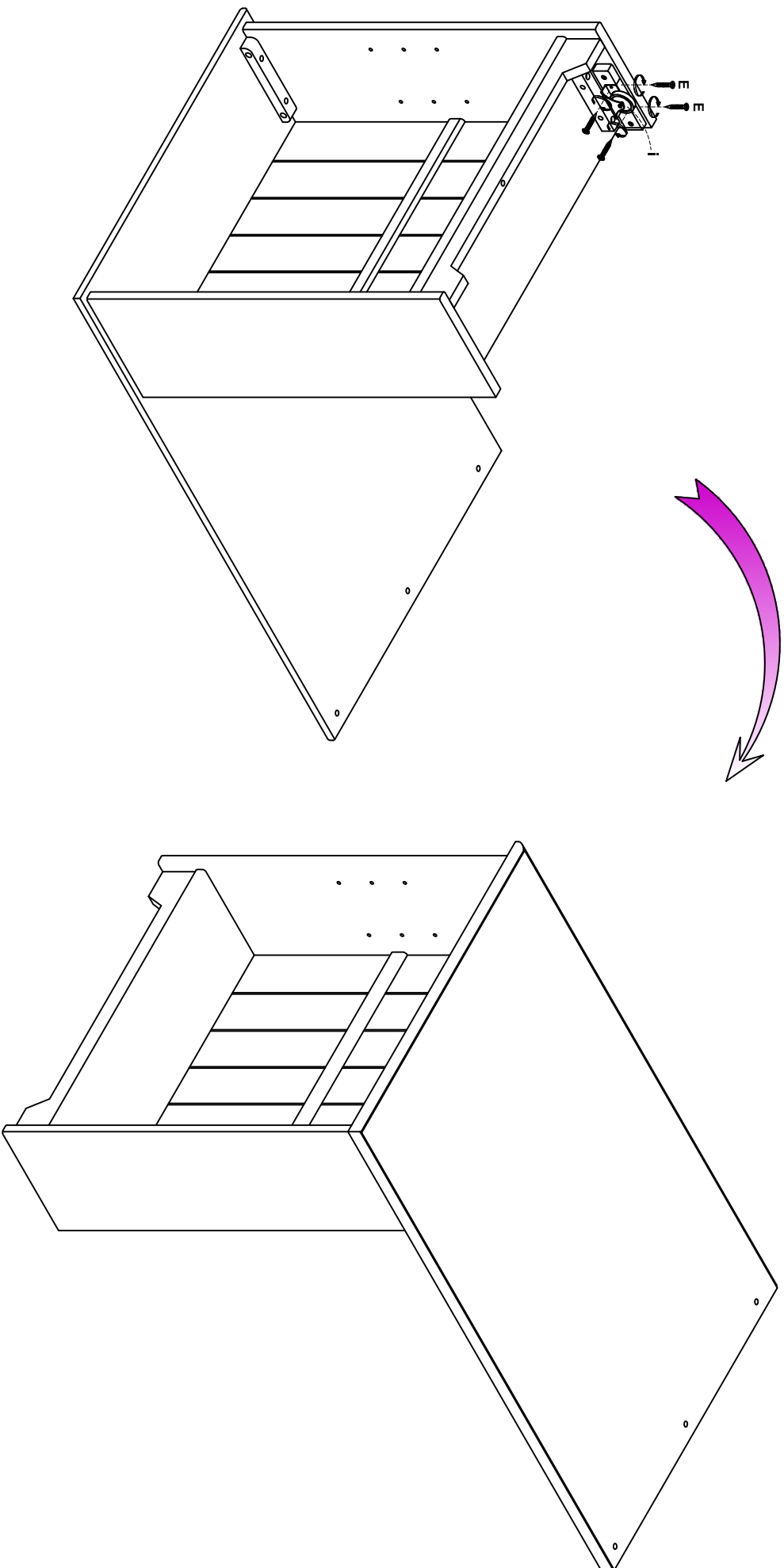
B		Ø1/4 * 30mm	4 pcs
----------	---	-------------	-------



ASSEMBLY INSTRUCTION
Model : 235 DG - LOW LOFT DESK

Step 5

E		Ø3,5 * 15mm	8 pcs
I			2 pcs



ASSEMBLY INSTRUCTION

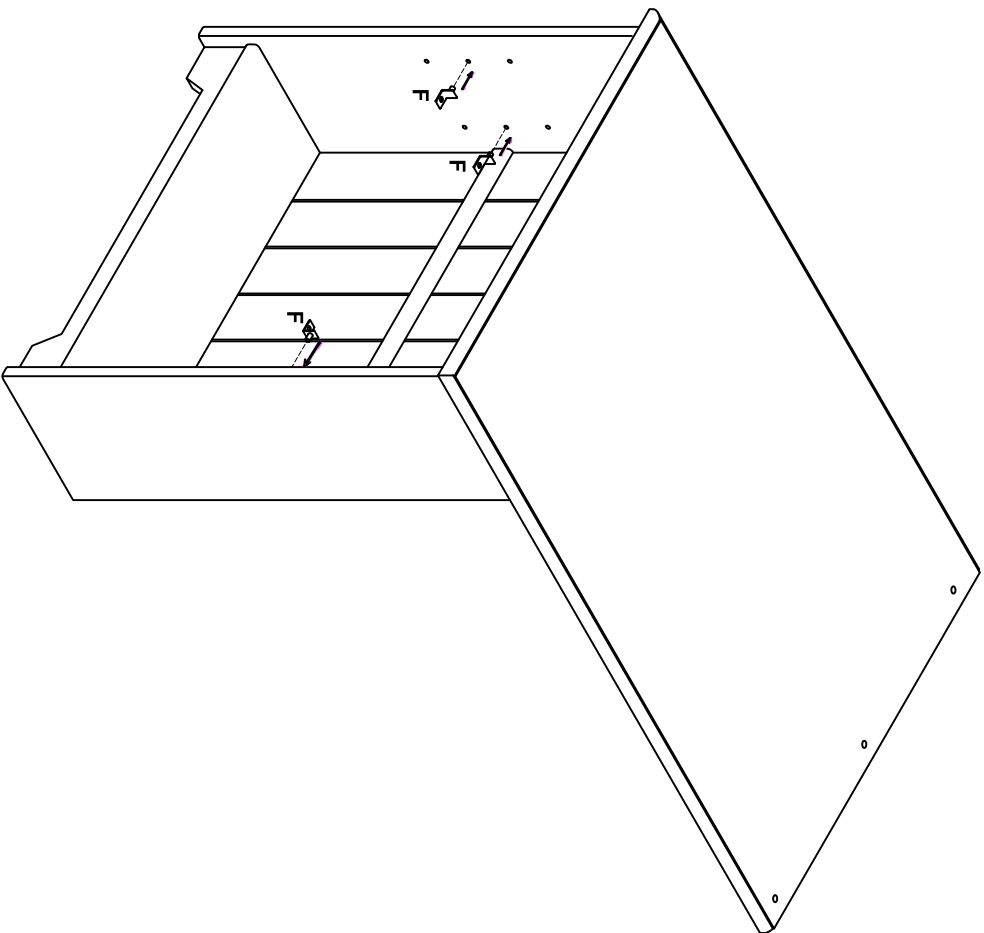
Model : 235 DG - LOW LOFT DESK

Step 6

F



4pcs



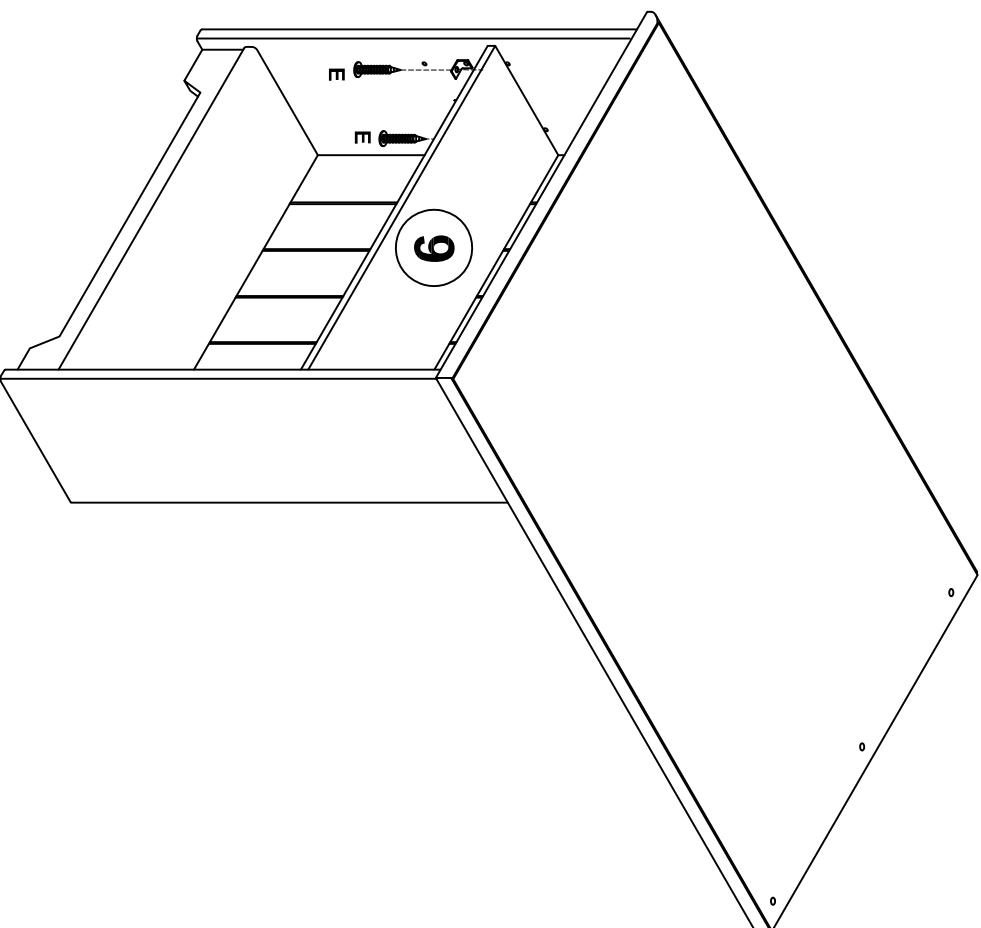
Step 7

E

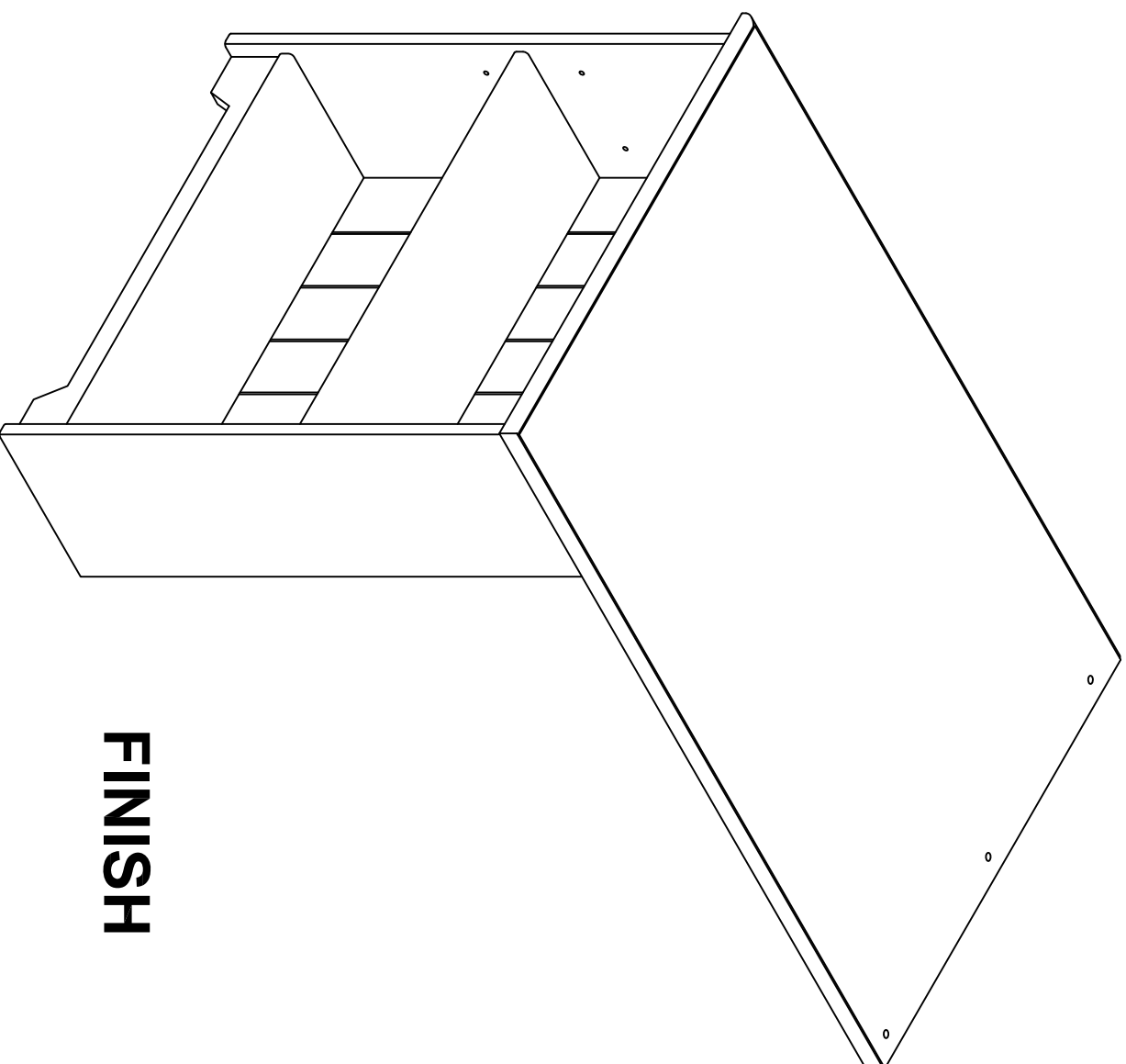


Ø3.5 * 15mm

4pcs



ASSEMBLY INSTRUCTION
Model : 235 DG - LOW LOFT DESK



FINISH