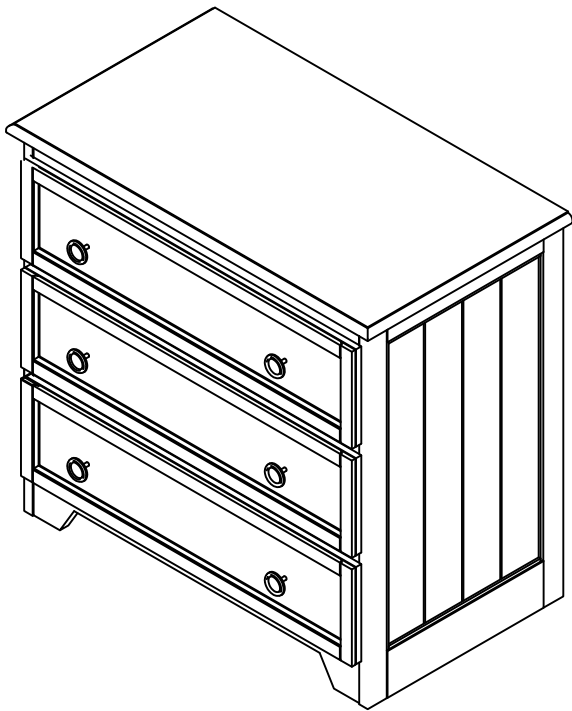


ASSEMBLY INSTRUCTION
Model: 235 BG - 3 DRAWER CHEST



FINISH

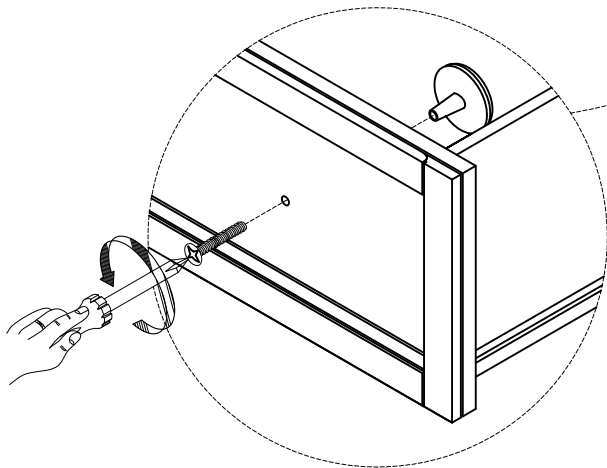
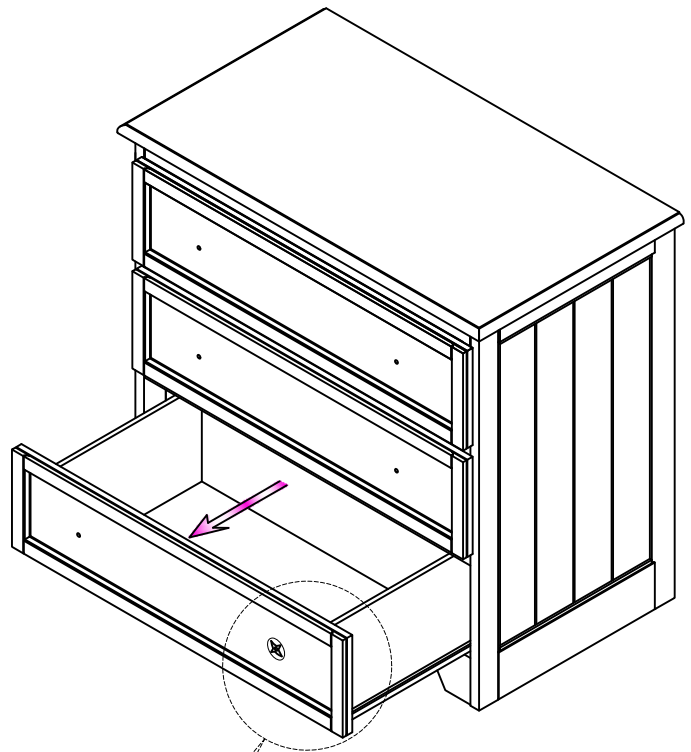


FIGURE 1

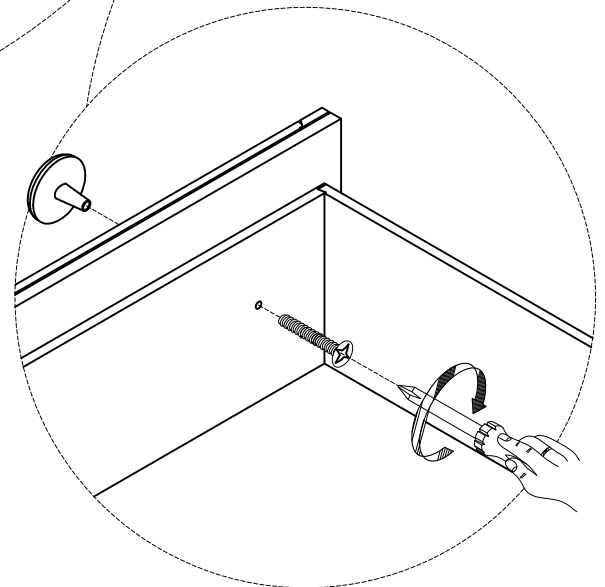


FIGURE 2

Step 1: Pull out drawer to unscrew the knob which is pre-attached inside drawer face as shown in figure 1

Step 2: Turn inside out the knob and using screw driver to tighten the knob as shown in figure 2 to complete

****Note: Repeat the same steps for the rest of drawers. Please do not open all drawers at the same time to avoid from tipping over.***

MADE IN VIETNAM