

STAIRWAY UNIT ASSEMBLY**STEP #1 (SEE ILLUSTRATION #01)**

INSERT THREE DOWELS INTO THE REAR SIDE OF THE FOUR LOOSE BOARDS. INSERT ONE DOWEL INTO THE FRONT OF EACH OF THESE BOARDS.

STEP #2 (SEE ILLUSTRATION #02)

WITH EACH OF THE ABOVE BOARDS, TAKE THEM ONE AT A TIME AND INSERT THE ONE DOWEL INTO THE TOP OF THE DRAWER BOX. SECURE WITH TWO BOLTS. REPEAT THIS PROCESS FOR EACH OF THE FOUR DRAWERS.

STEP #3 (SEE ILLUSTRATION #03)

WITH THIS STEP IT WILL BE HELPFUL TO DO ASSEMBLY CLOSE TO WHERE STAIRWAY WILL BE LOCATED. ALWAYS EXERCISE CARE WHEN MOVING THE STAIRWAY UNIT. IT IS BEST TO HAVE TWO PEOPLE MOVE THE STAIRWAY UNIT.

START WITH THE DRAWER WITH THE LONGEST BOARD STICKING OUT. GET THE HUGE BACK PANEL AND PUT THE THREE DOWELS FROM THE LONGEST BOARD DRAWER BOX IN THE THREE HOLES OF THE BACK PANEL. SECURE WITH TWO BOLTS.

GET THE NEXT LONGEST BOARD STICKING OUT AND PLACE ON TOP OF FIRST DRAWER AND INSERT THE THREE DOWELS INTO THE THREE HOLES OF THE BACK PANEL. SECURE WITH TWO BOLTS.

REPEAT THIS PROCESS FOR THE OTHER DRAWERS.

STEP #4 (SEE ILLUSTRATION #04)

ATTACH WITH BOLT THE SMALL RAILING TO THE BIG RAILING.

STEP #5 (SEE ILLUSTRATION #05, 06, 09)

BE SURE TO INSTALL RAILINGS ON THE OPPOSITE SIDE OF WHERE THE BUNK BED WILL ATTACH.

ATTACH THE BIG RAILING TO THE HUGE BACK PANEL WITH BOLT. NOW REMOVE ALL DRAWERS FROM DRAWER BOX. ATTACH THE SHORT RAILING WITH THE TWO BOLTS, PART D. ATTACH THE LONG RAILING WITH THE TWO BOLTS, PART D. NOW SCREW ONE PHILLIPS SCREW IN EACH DRAWER TO ATTACH THE BOTTOM DRAWER BOX TO THE UPPER DRAWER BOXES, REPEAT FOR ALL THREE DRAWERS. NOW RETURN DRAWERS TO DRAWER BOXES.

SEE ILLUSTRATION #09. ON THE SIDE THAT THE BUNK BED WILL BE LOCATED, INSTALL THE TWO L BRACKETS IN THE PRE DRILLED HOLES IN THE BACK OF THE HUGE PANEL. THE L BRACKET SHOULD STICK OUT TOWARD THE DRAWERS.

STEP #6 (SEE ILLUSTRATION #07,08)

ALIGN RAILING SLATS SO THEY ARE STRAIGHT. ATTACH RAILING SLATS TO DRAWER BOX WITH PHILLIPS SCREWS.

STEP #7 (SEE ILLUSTRATION #08)

ATTACH THE SMALL BOARD (ITEM #09) TO THE FRONT EDGE OF THE TOP SIDE OF THE BOTTOM DRAWER, LOCATE ON THE BUNK SIDE OF THE DRAWER. ATTACH WITH THE TWO PHILLIPS SCREWS.

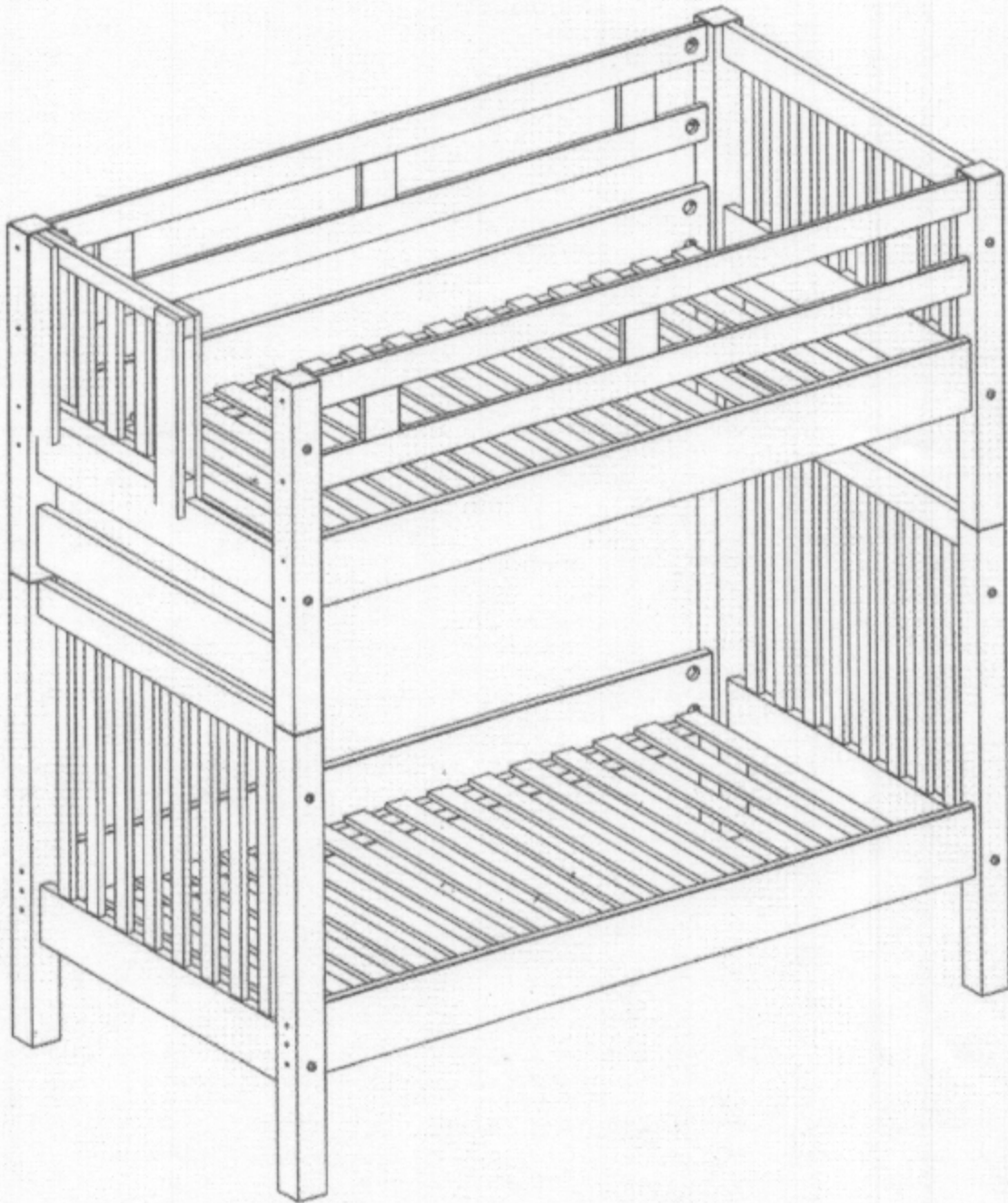
STEP #8 (SEE ILLUSTRATION #09)

LOCATE THE STAIR UNIT EXACTLY WHERE IT WILL REMAIN. INSERT THE BUNK BED INTO THE AREA BETWEEN THE L BRACKET AND STAIRWAY UNIT. HAVE ONE PERSON HOLD THE BUNK TIGHT TO THE STAIRWAY UNIT AND INSTALL THE TWO PHILLIPS SCREWS INTO THE POST OF THE BUNK BED. REPEAT PROCESS FOR THE OTHER L BRACKET. AT THE FRONT OF THE STAIRWAY UNIT, BE SURE THE SMALL BOARD ATTACHED IN STEP #7 TOUCHES THE BUNK BED.

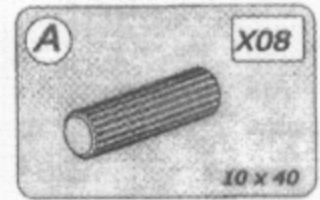
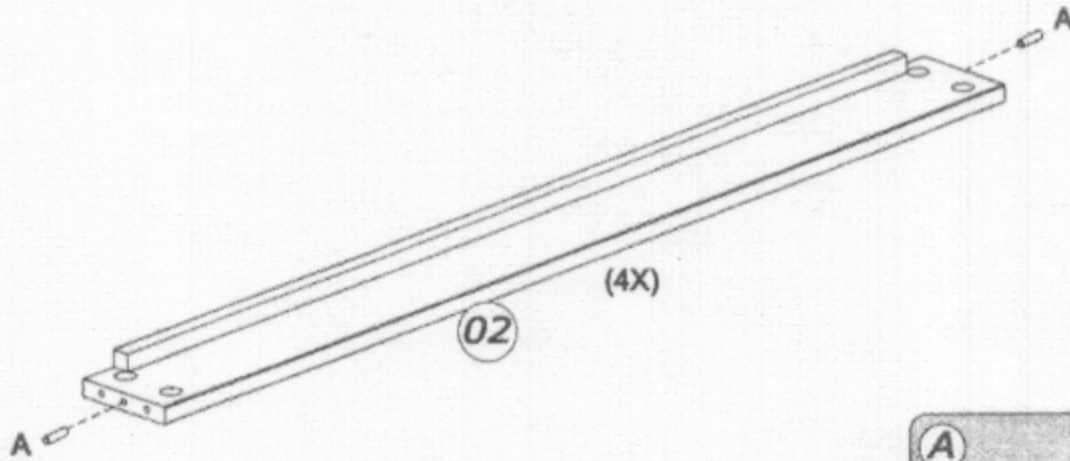
**NEVER MOVE BUNK AND STAIRWAY WITHOUT UNSCREWING
THE L BRACKETS FROM THE BUNK BED SECTION.**

DAMAGE WILL OCCUR IF NOT DISCONNECTED.

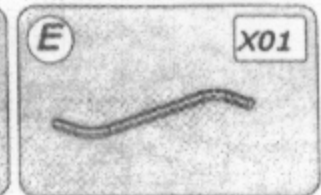
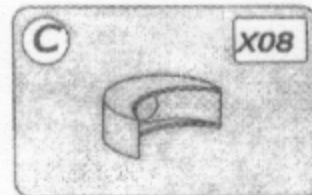
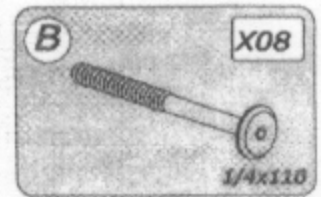
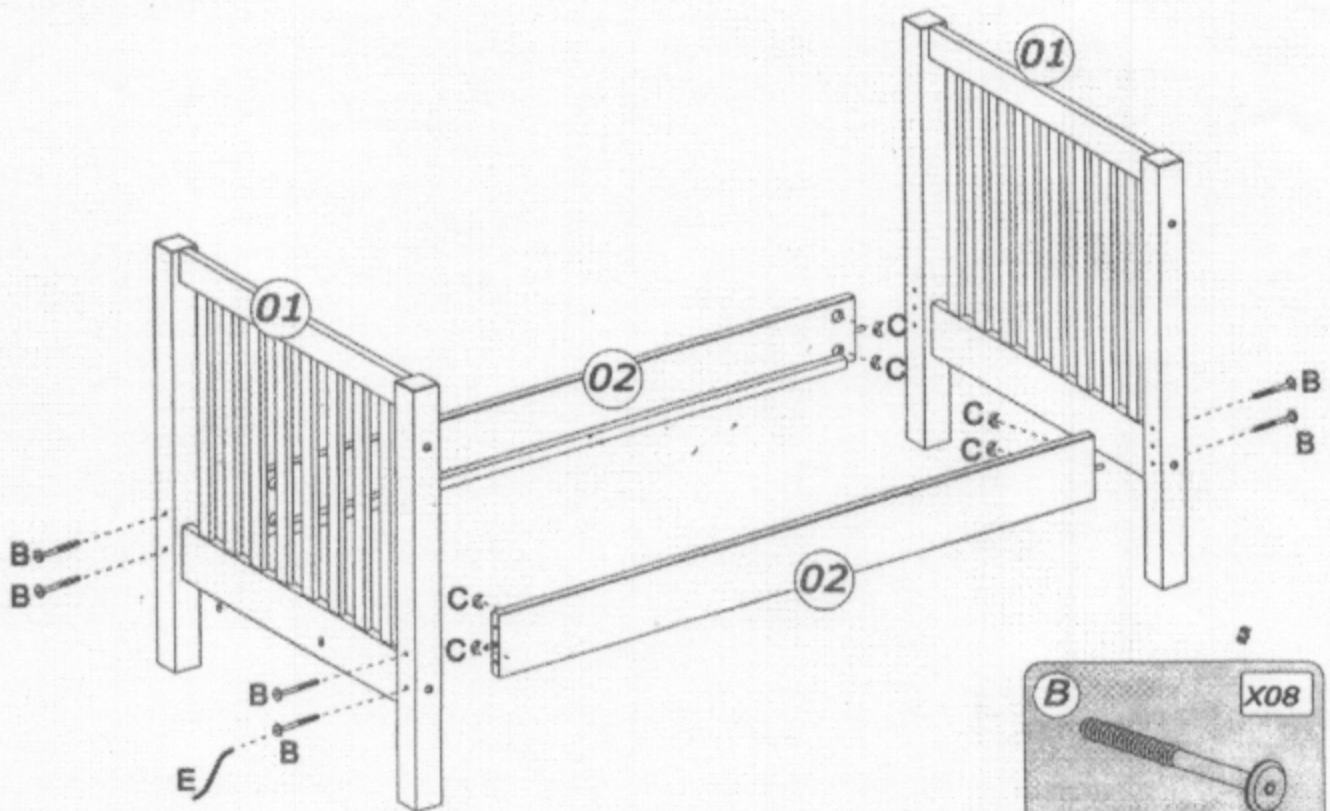
STAIRWAY BUNK



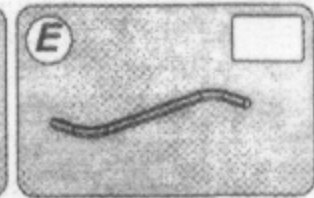
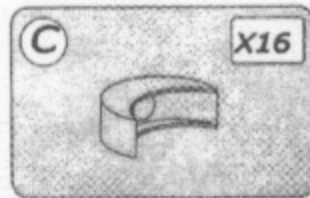
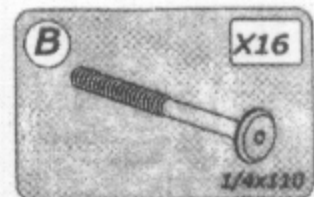
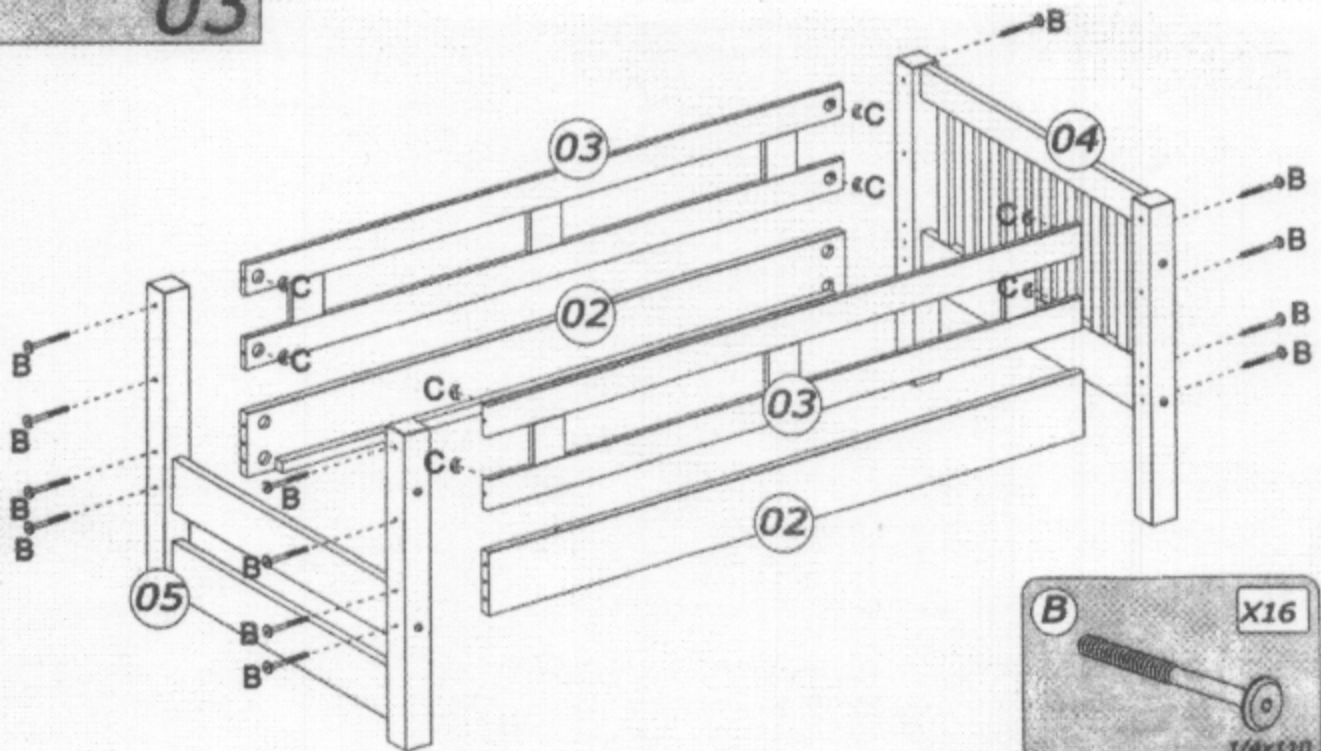
01



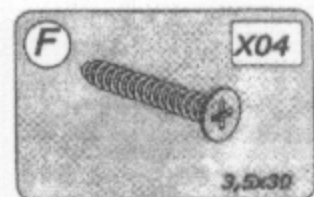
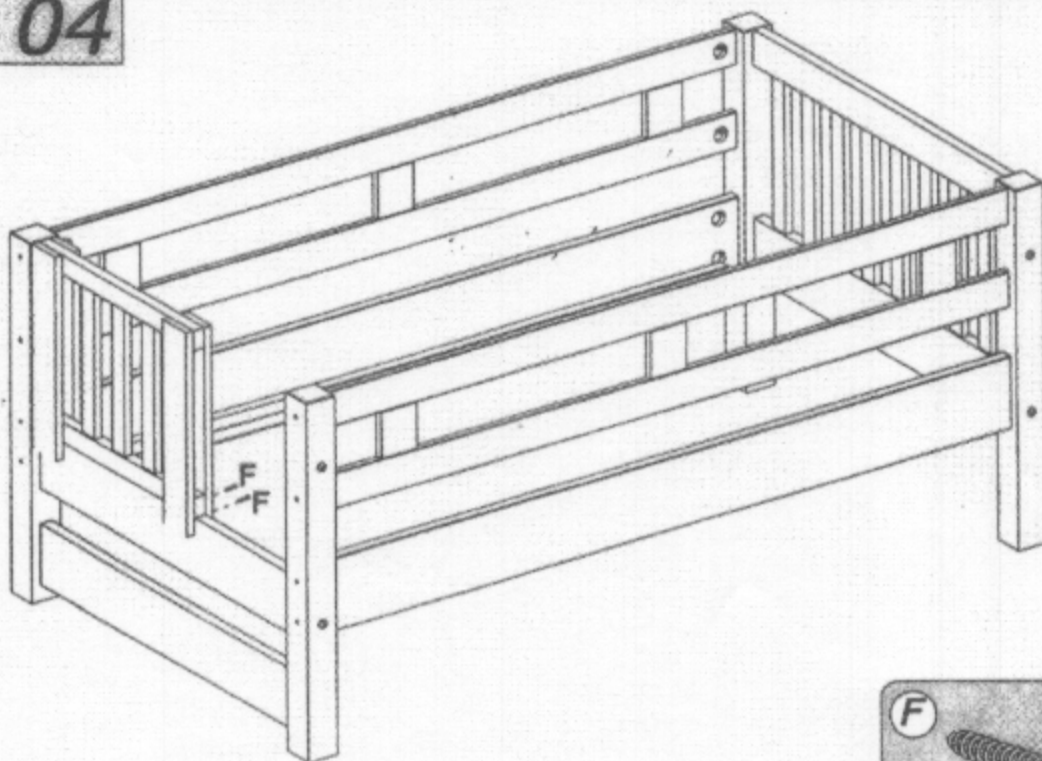
02



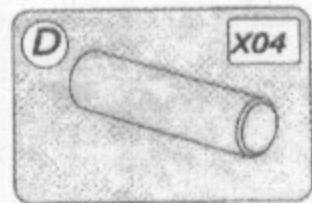
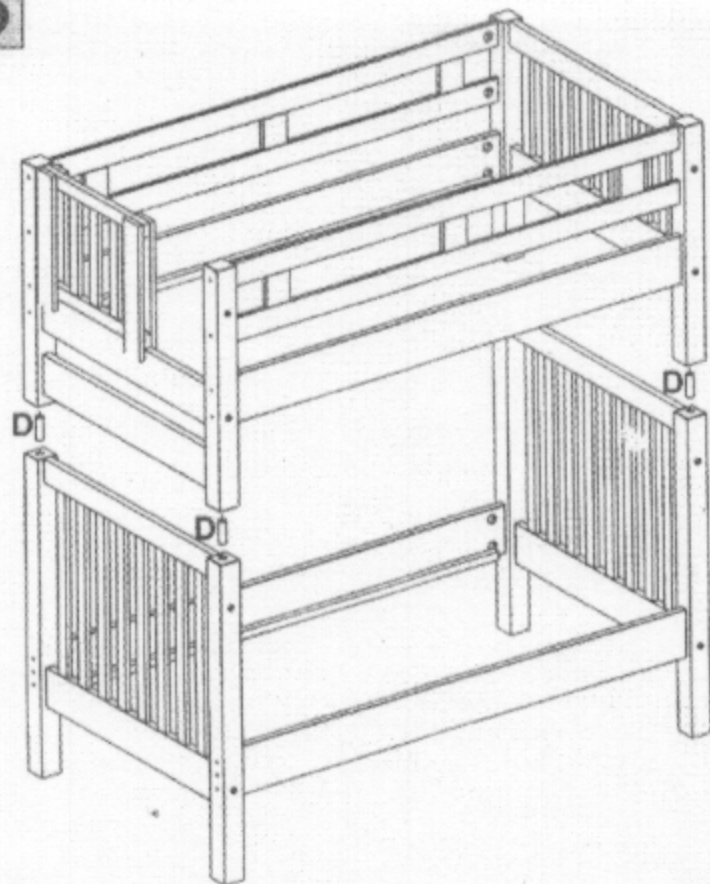
03



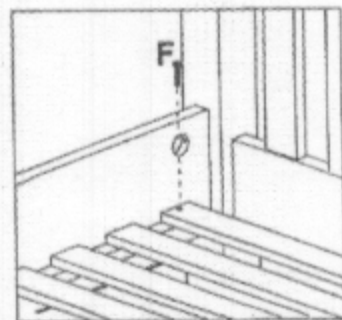
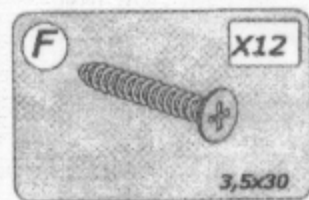
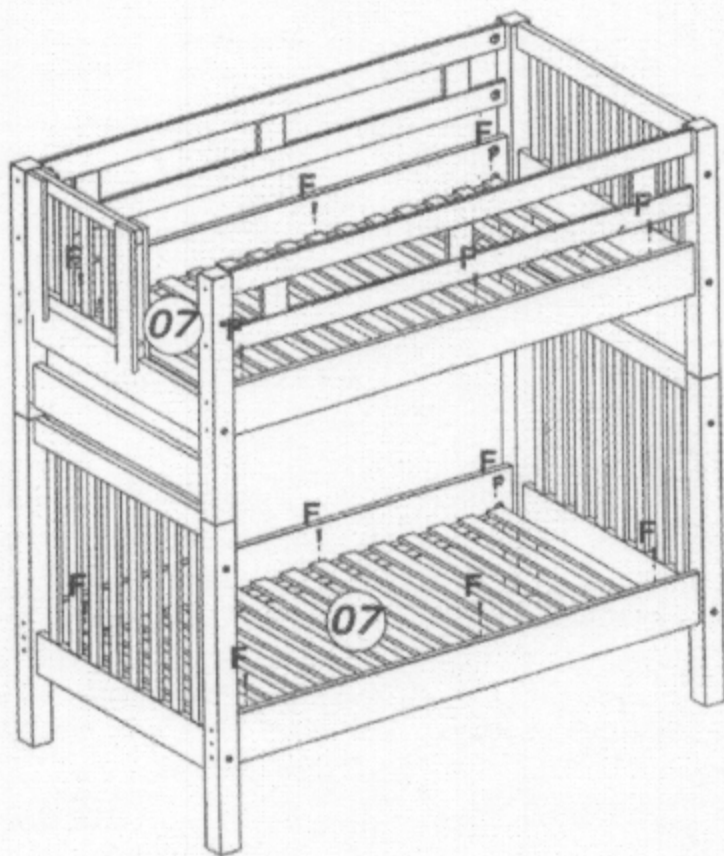
04



05

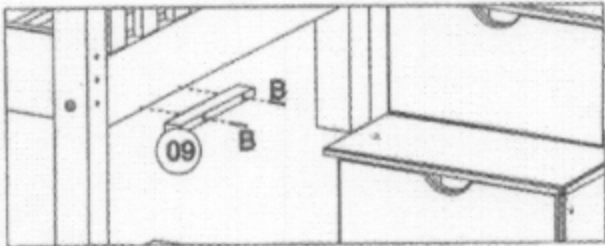
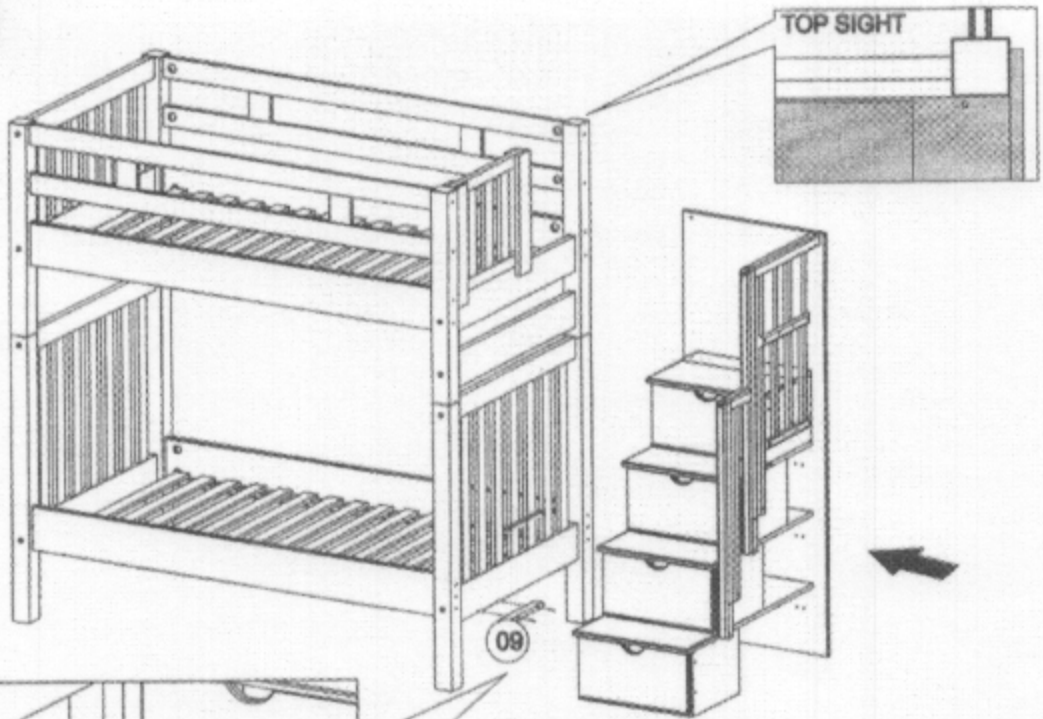


06

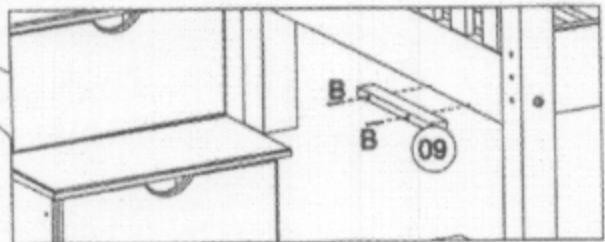
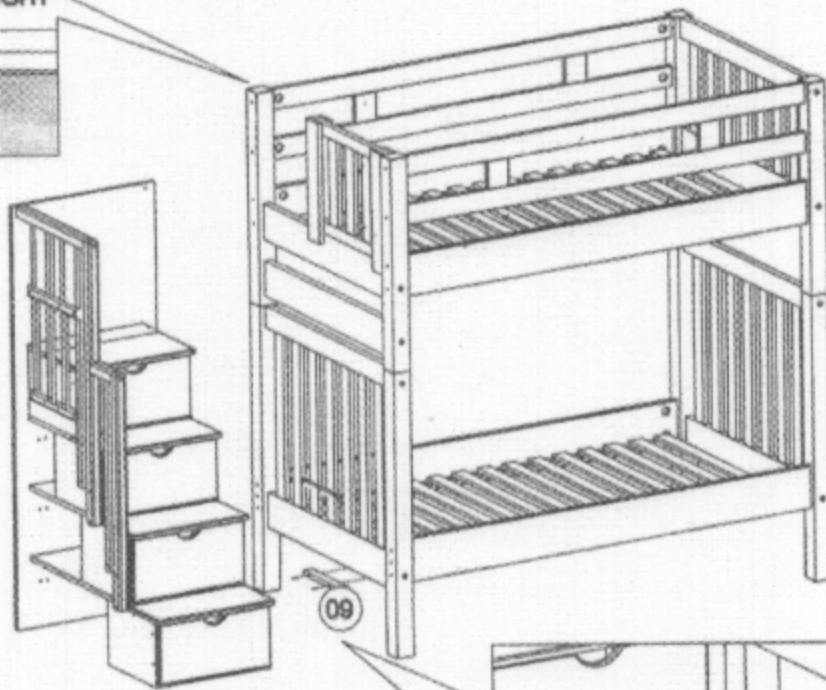
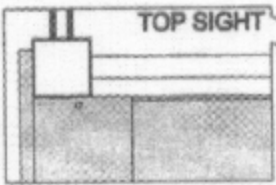


07

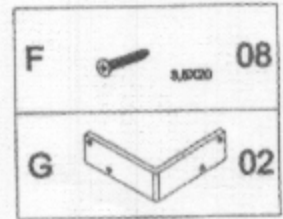
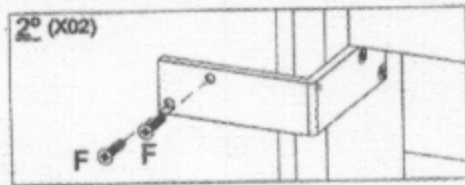
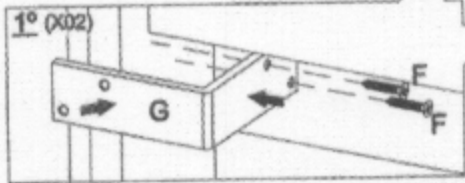
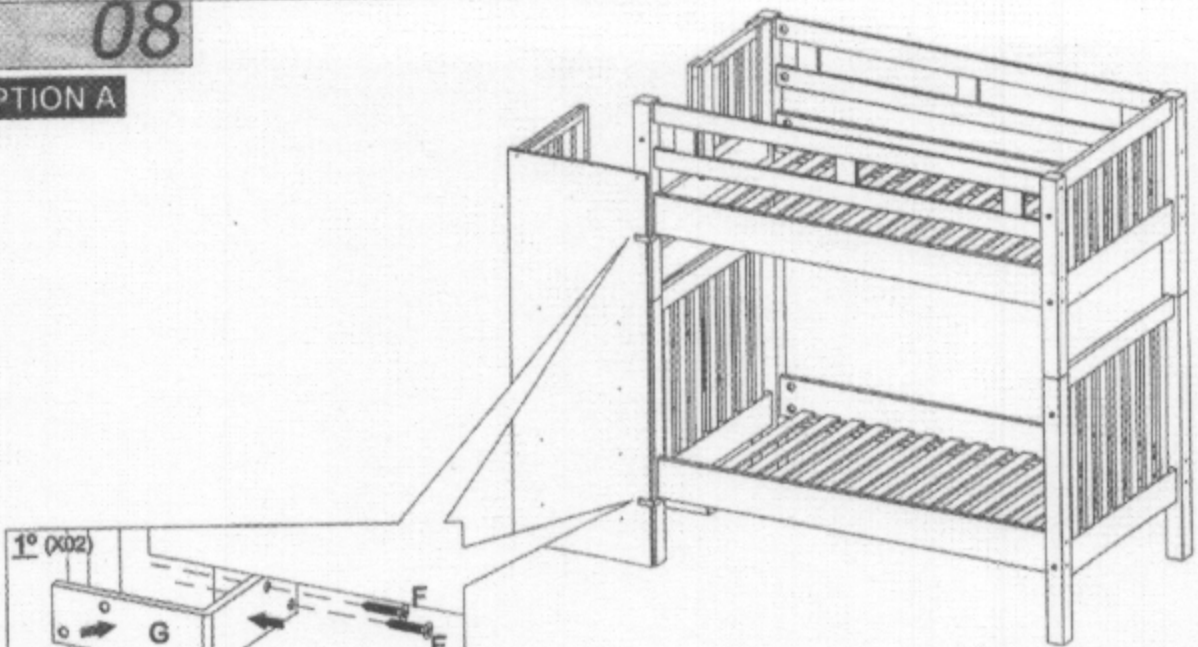
OPTION A



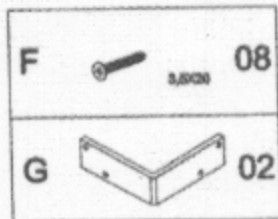
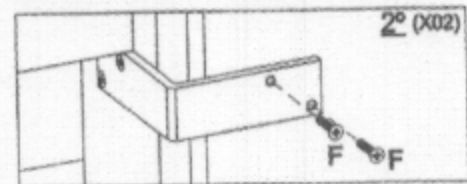
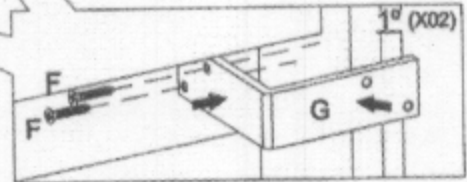
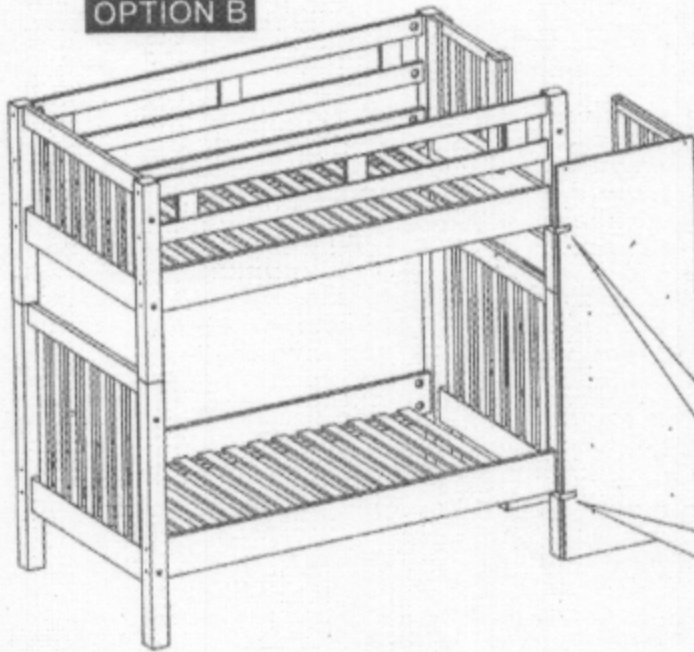
OPTION B



OPTION A

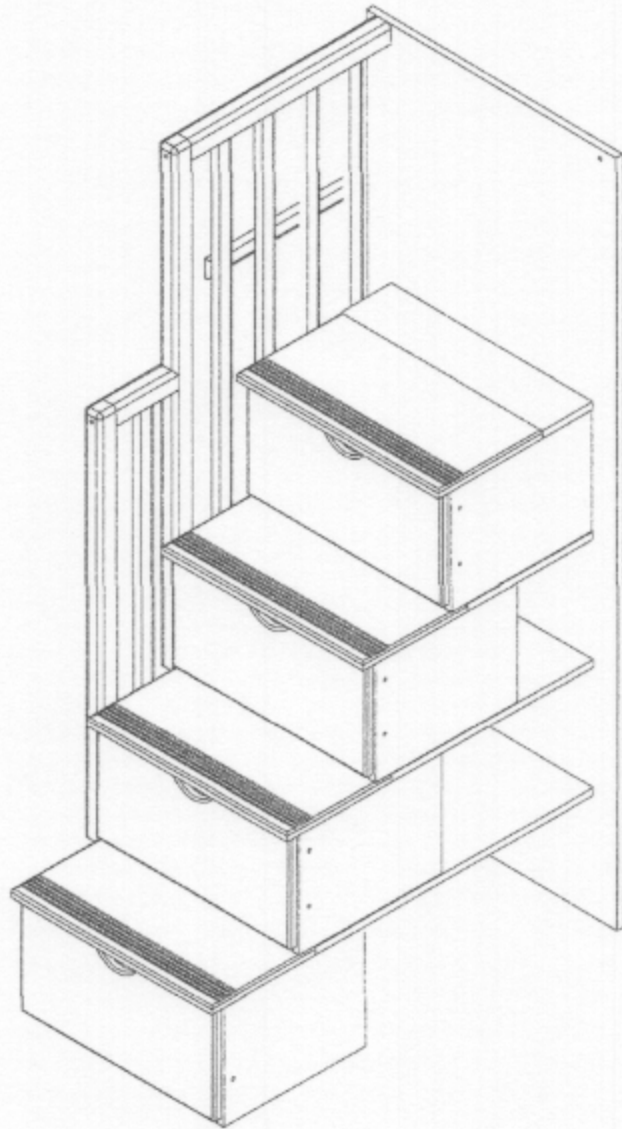


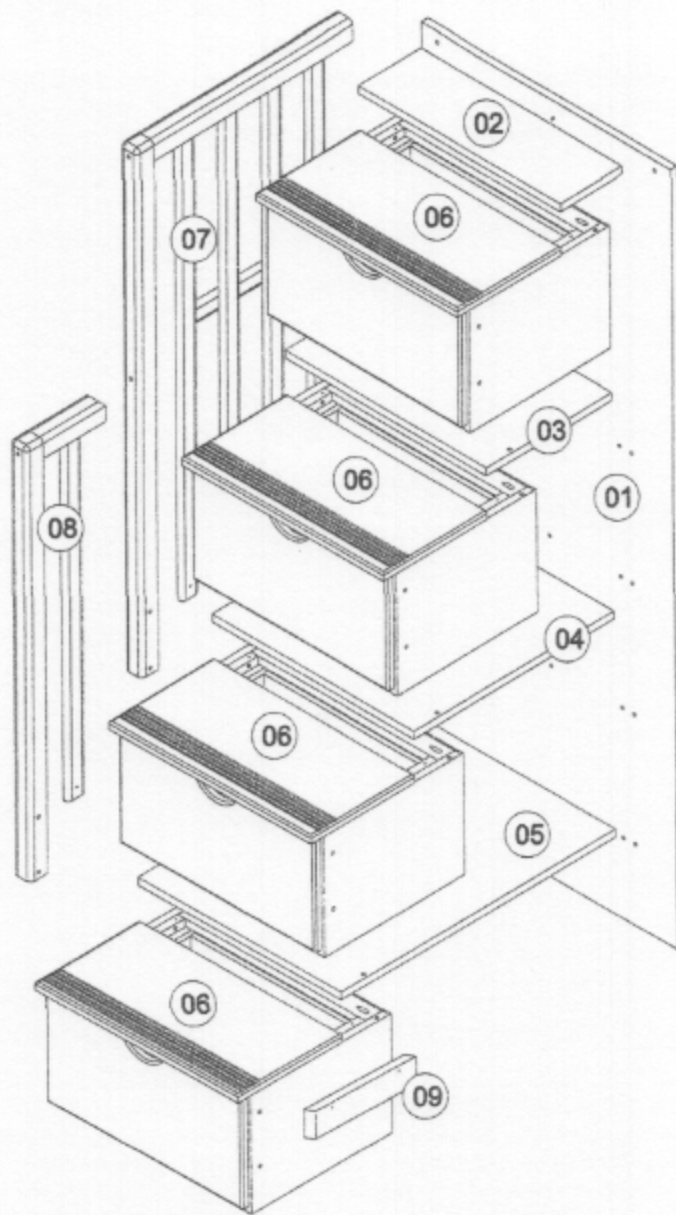
OPTION B



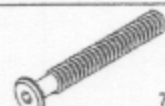







STAIRWAY

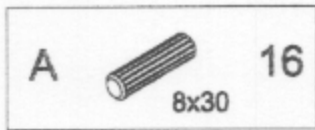
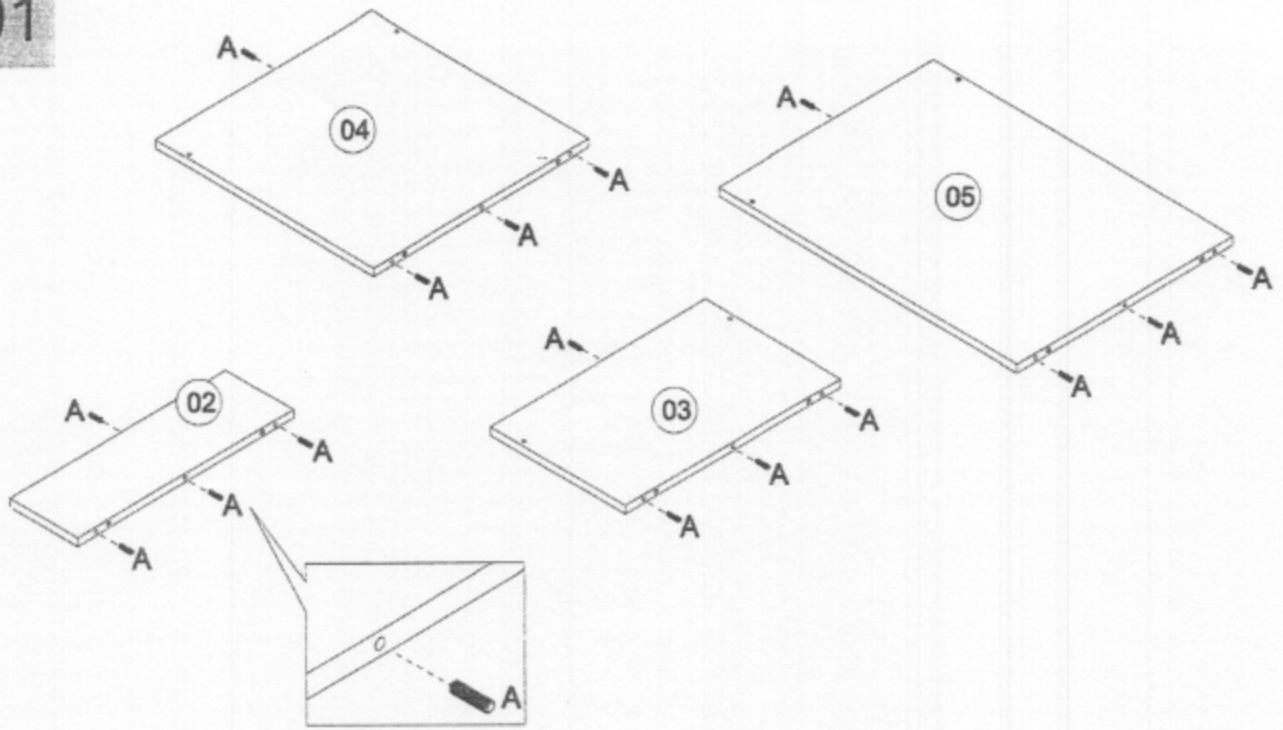
200



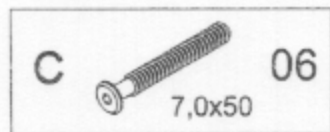
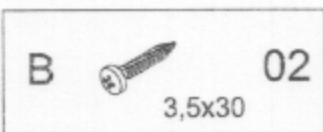
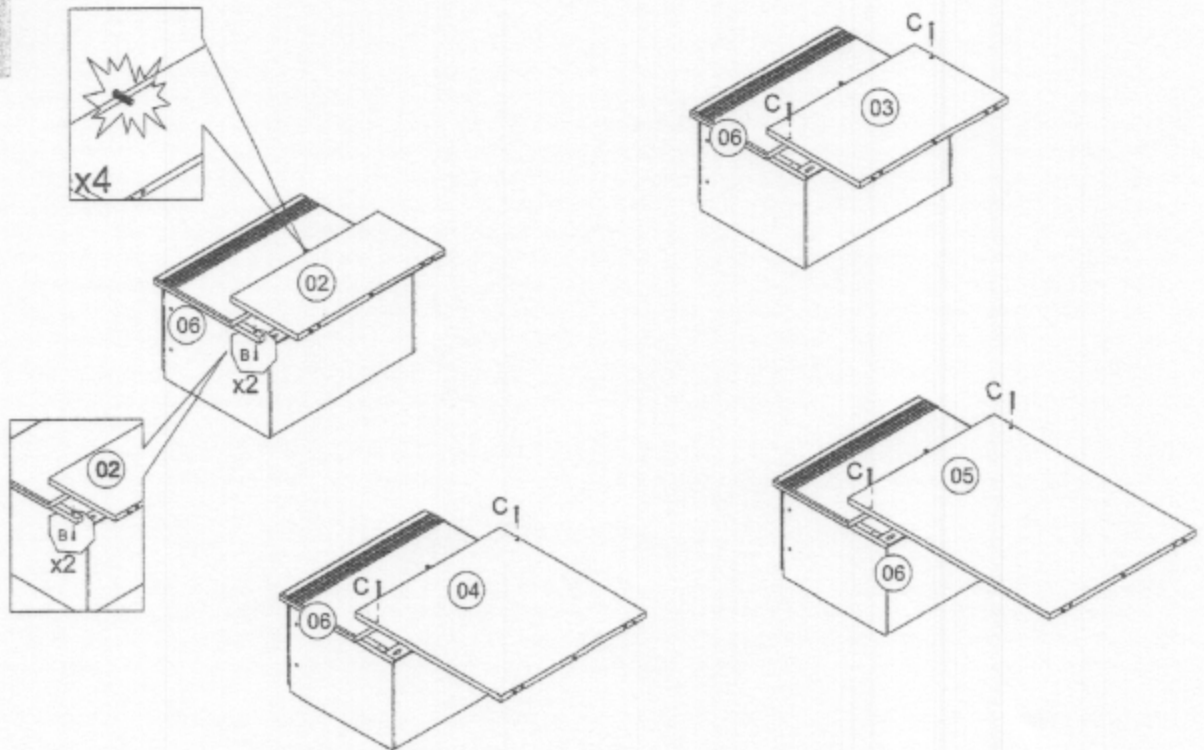


A	 8x30	16
B	 3,5x30	12
C	 7x50	15
D		04
E		01
F	 3,5x16	08
G		02
H	 7x70	01

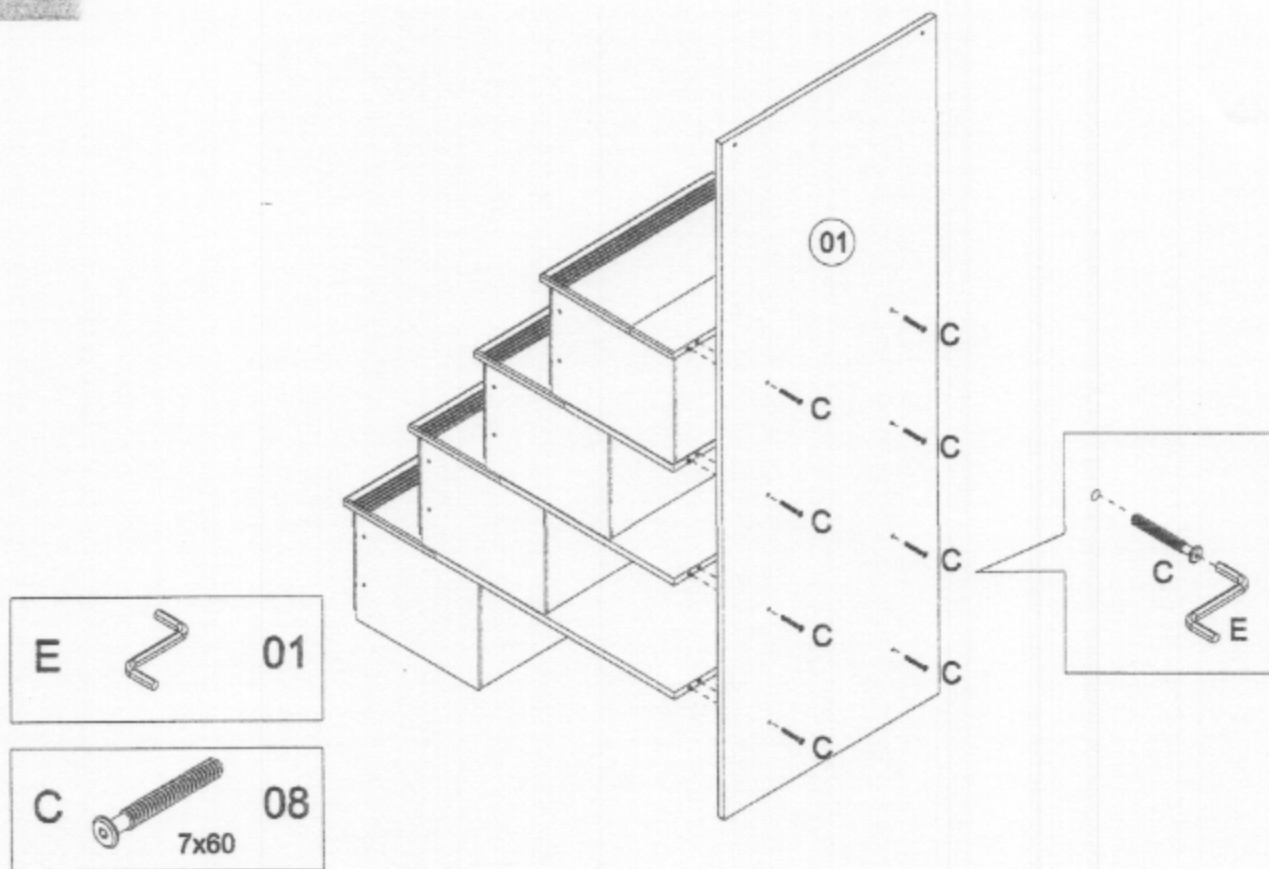
01



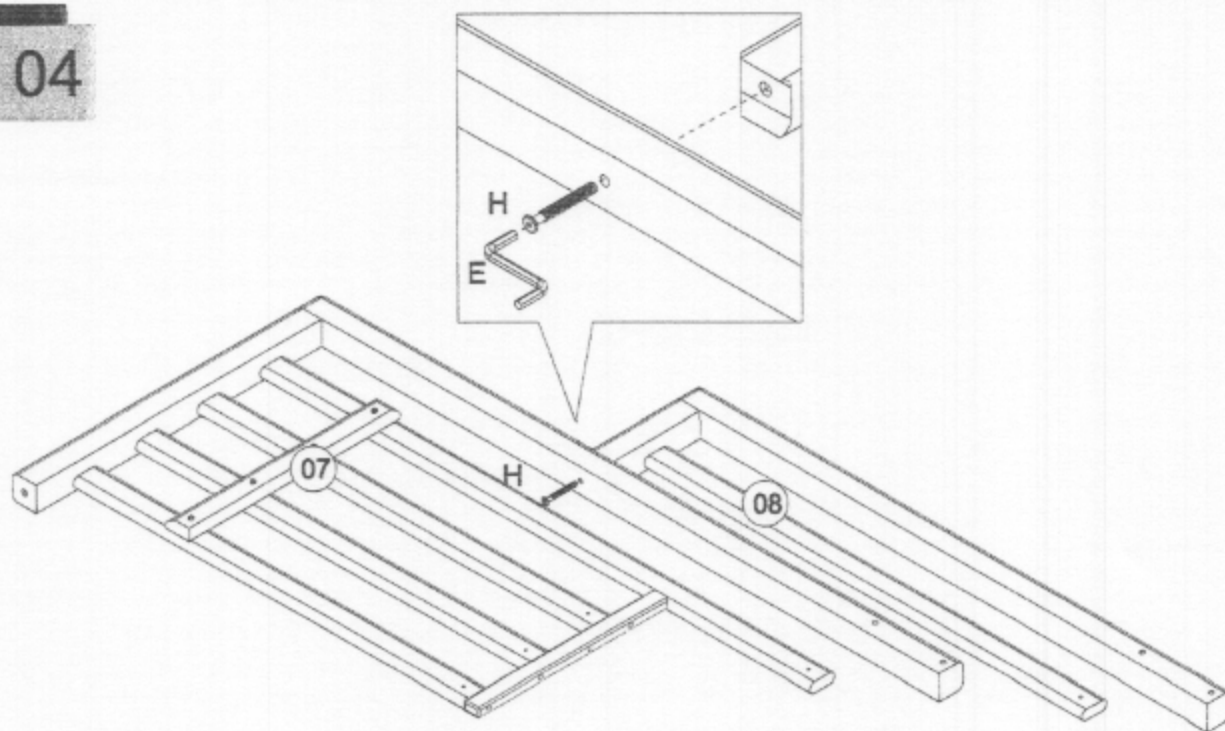
02



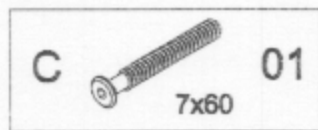
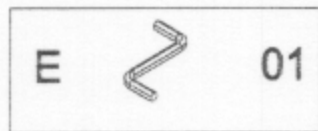
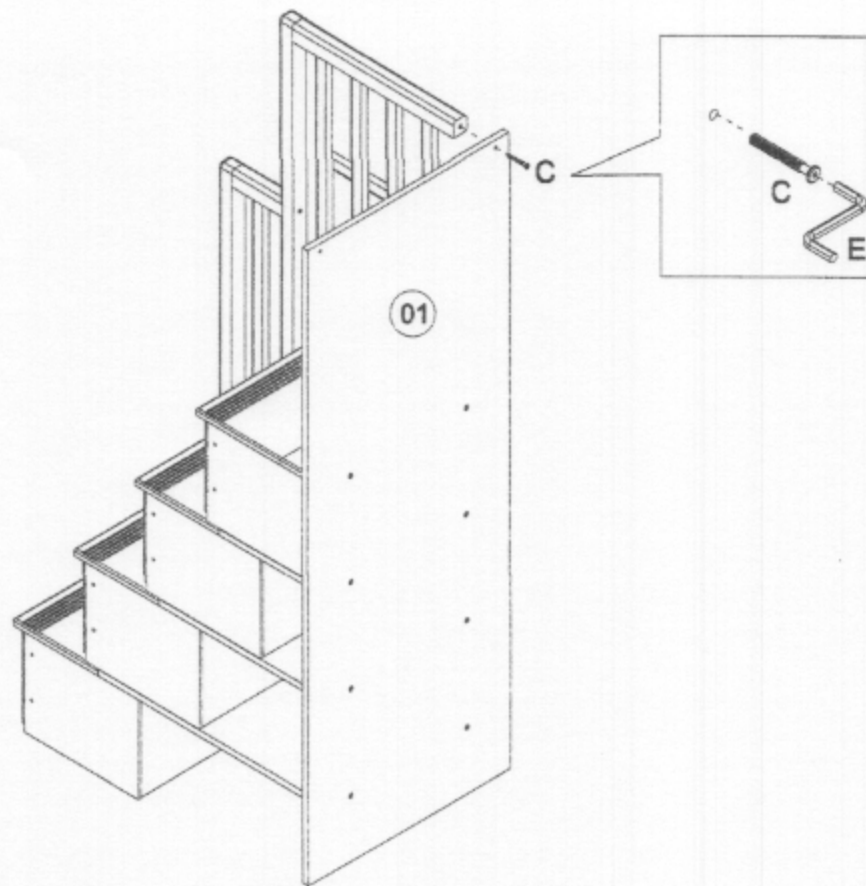
03



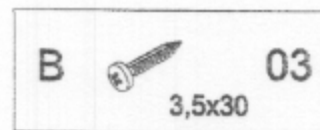
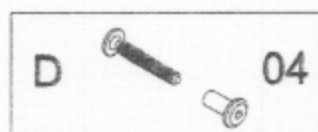
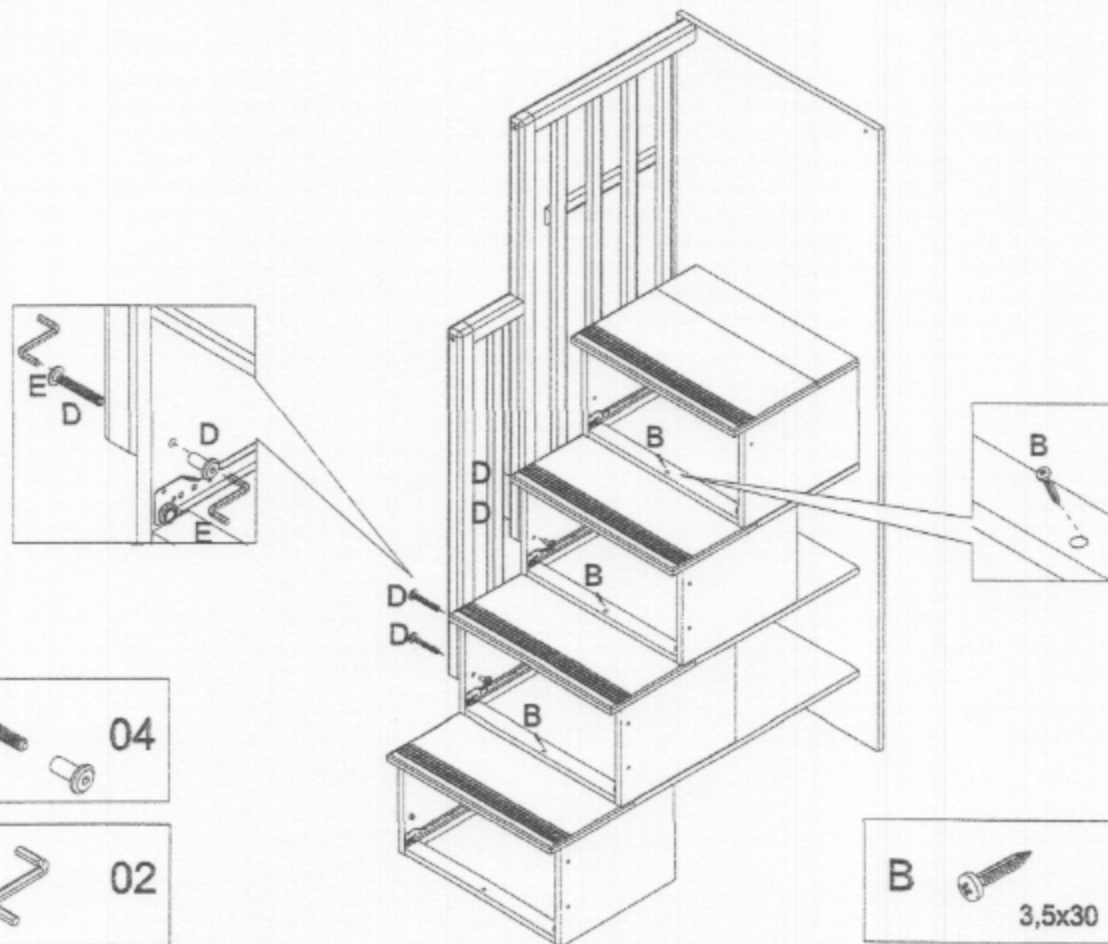
04



05

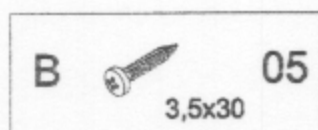
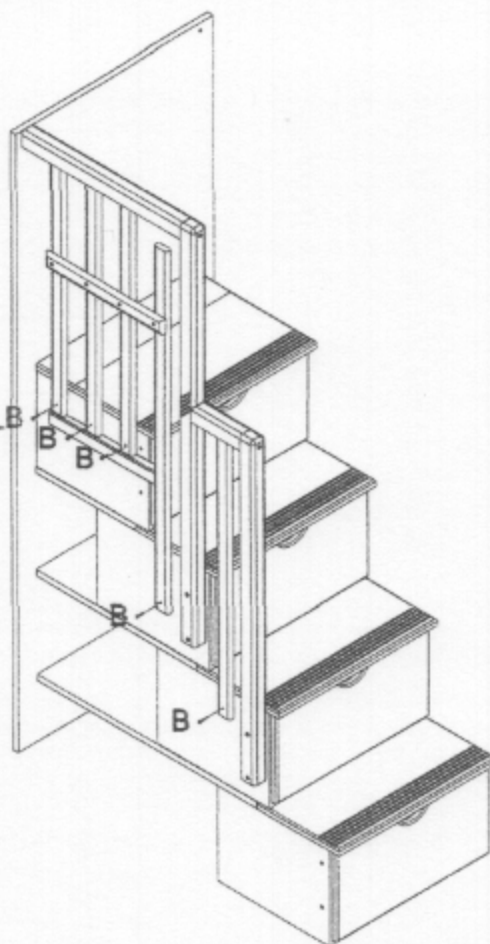
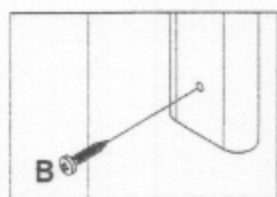


06

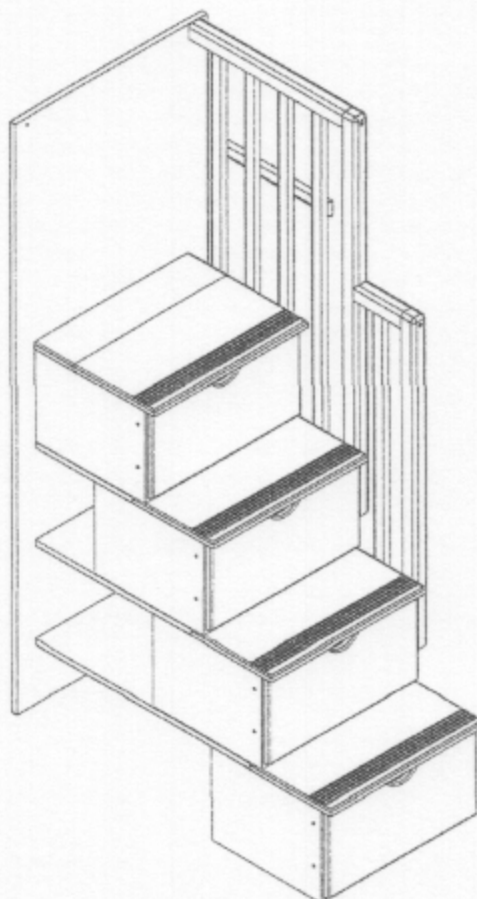


07

OPTION A

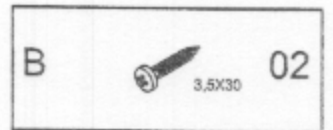
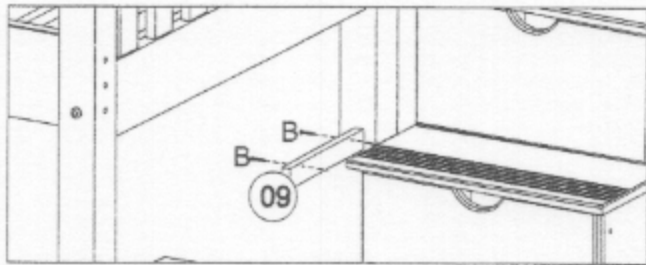
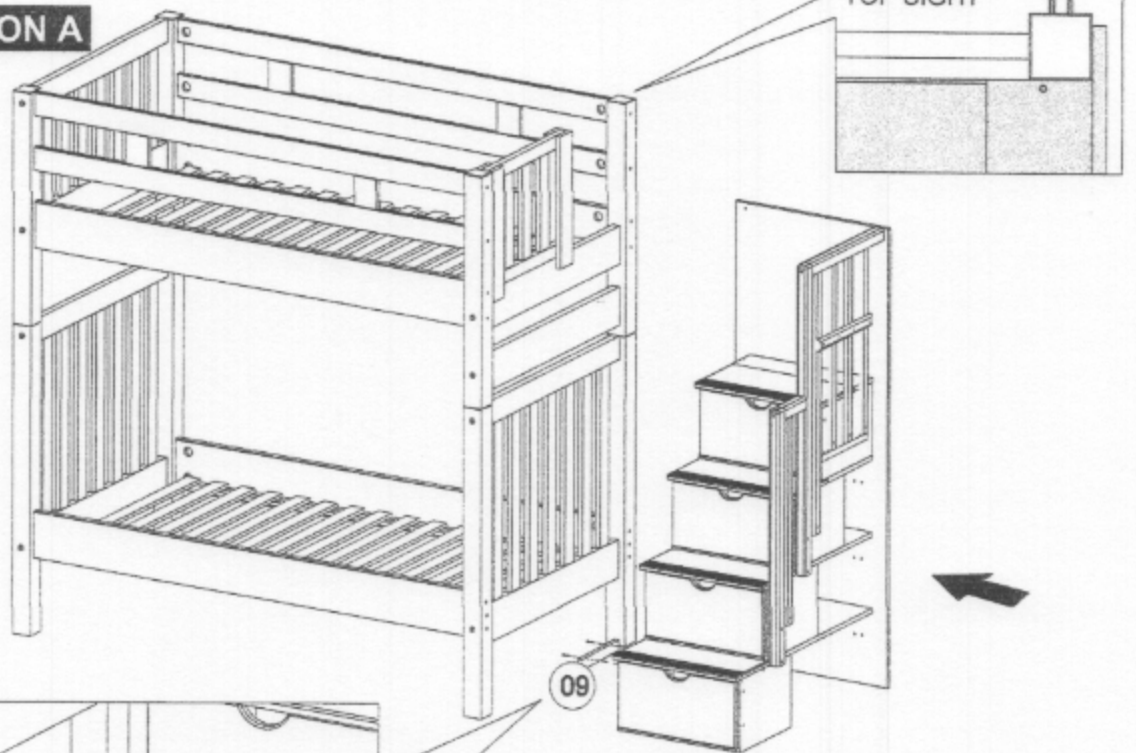


OPTION B

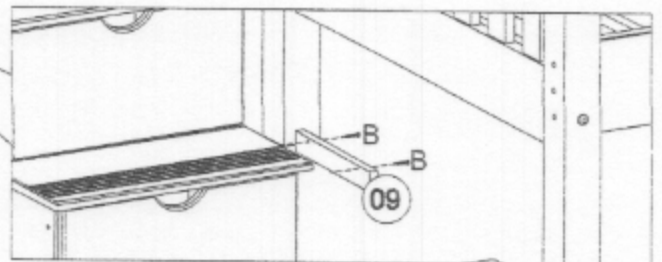
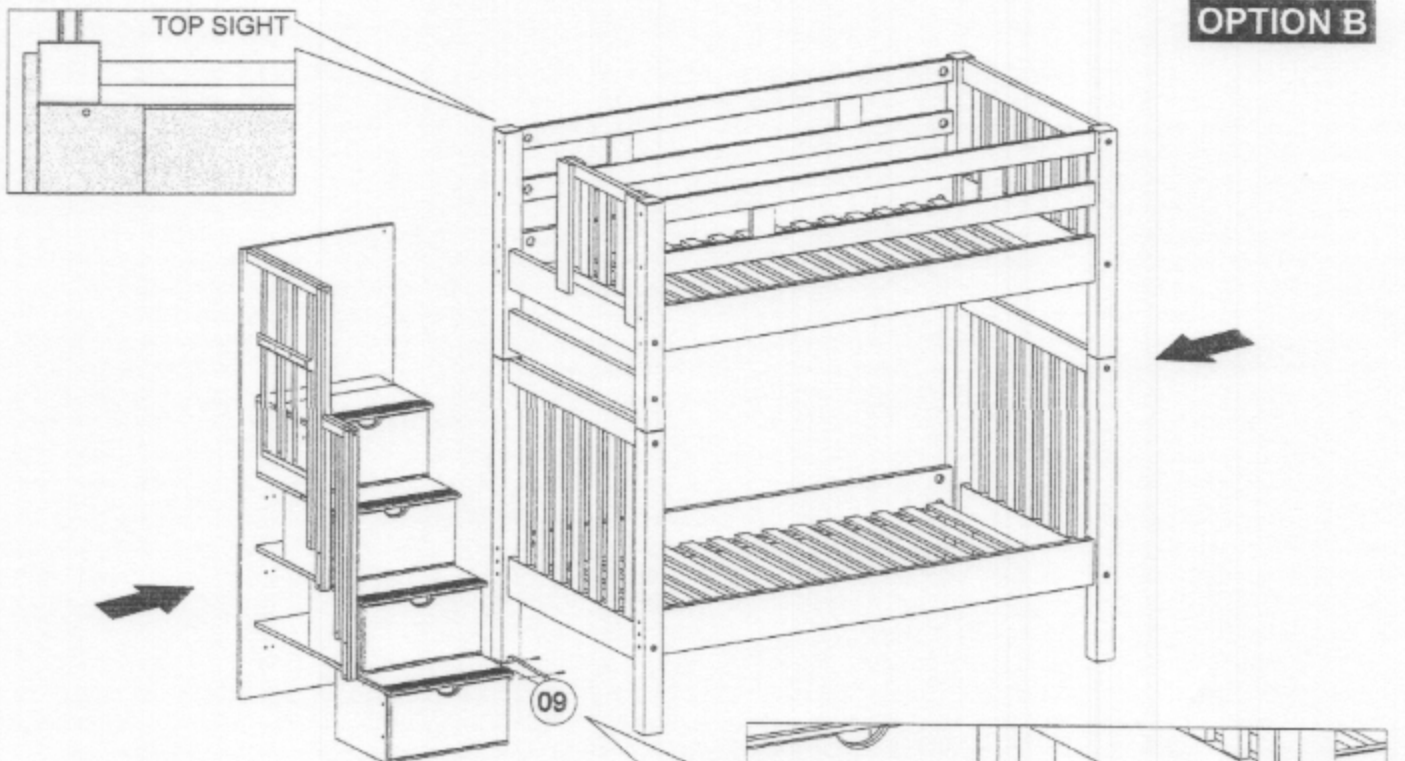


08

OPTION A

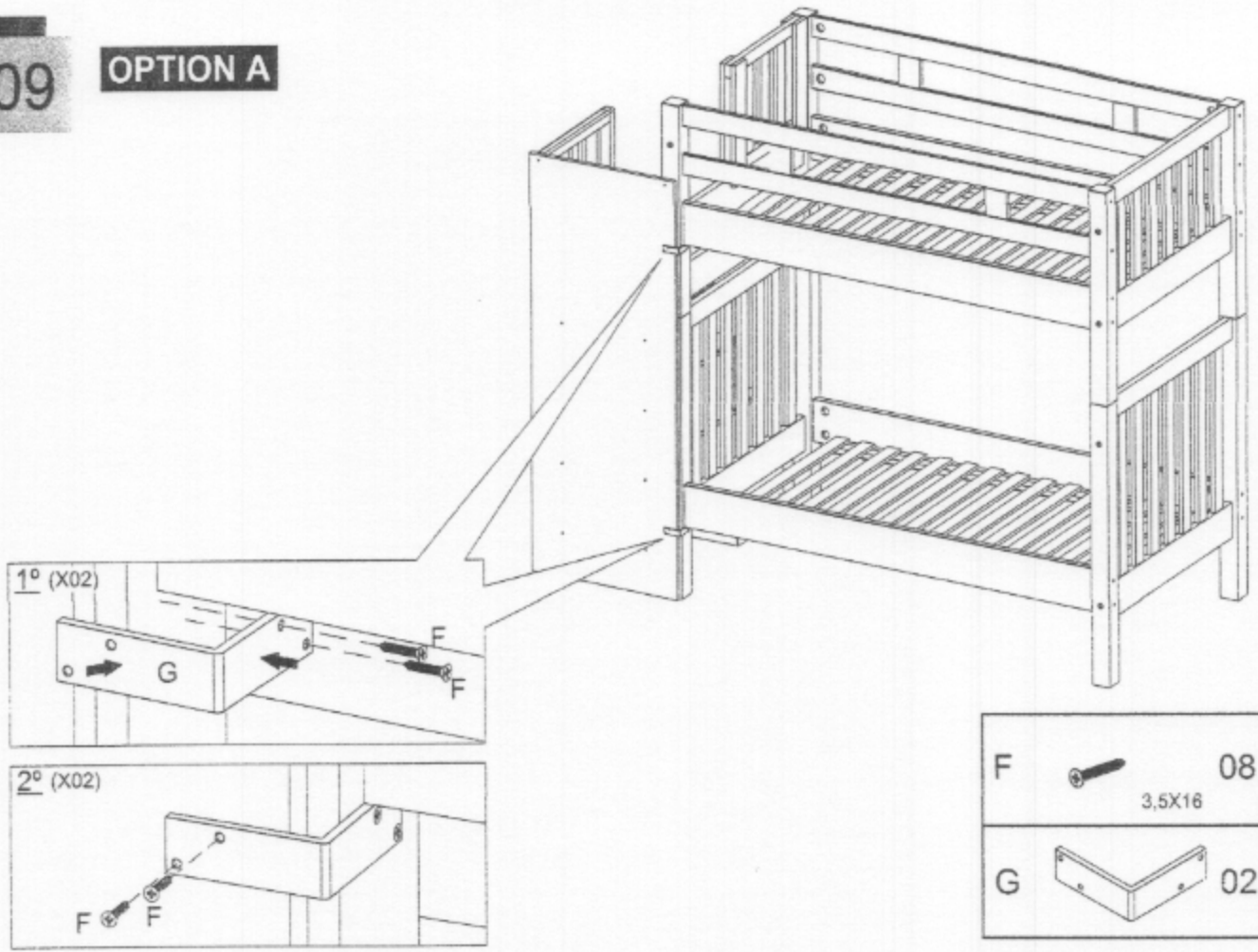


OPTION B



09

OPTION A



OPTION B

