

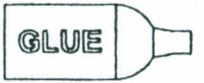
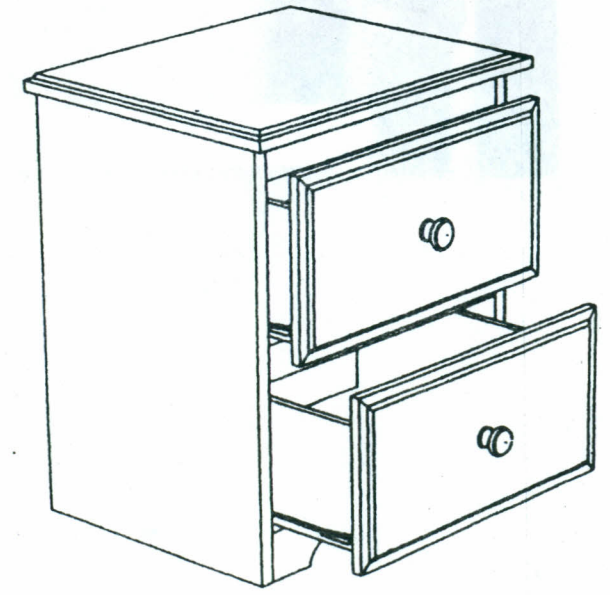
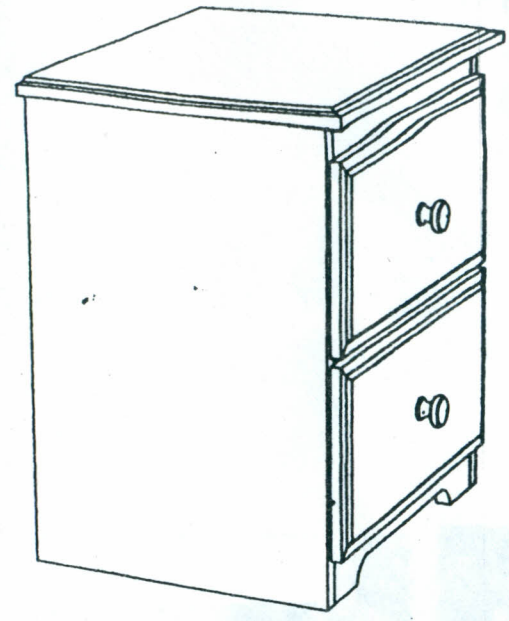
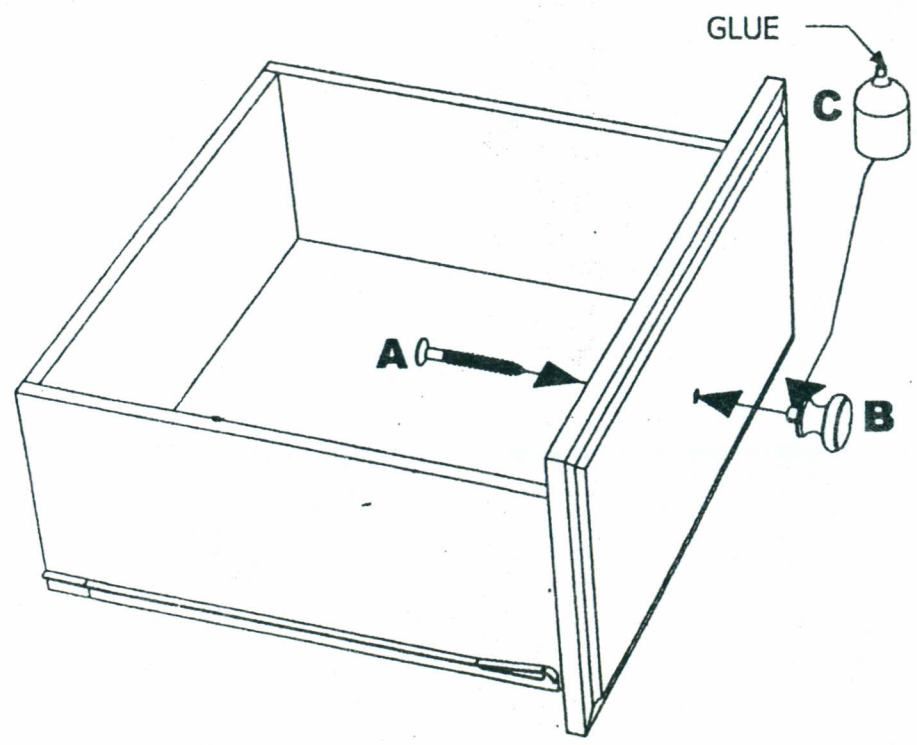




# ASSEMBLY INSTRUCTION OF NIGHTSTAND -

<b>A</b>  Ø 4 x 30mm Qty: 02	<b>B</b>  G - Handle Qty: 02
<b>C</b>  GLUE Qty: 01	



# ASSEMBLY INSTRUCTIONS - NIGHSTAND CAPPUCCINO

- |          |   |          |  |
|----------|---|----------|--|
| <b>A</b> | <br>Ø 4 x 30mm Qty: 02 | <b>B</b> | <br>Qty: 02 |
|----------|---|----------|--|

