

ASSEMBLY INSTRUCTION
Model: 0312 Nightstand

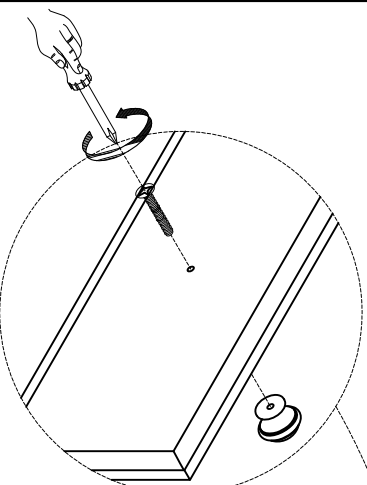
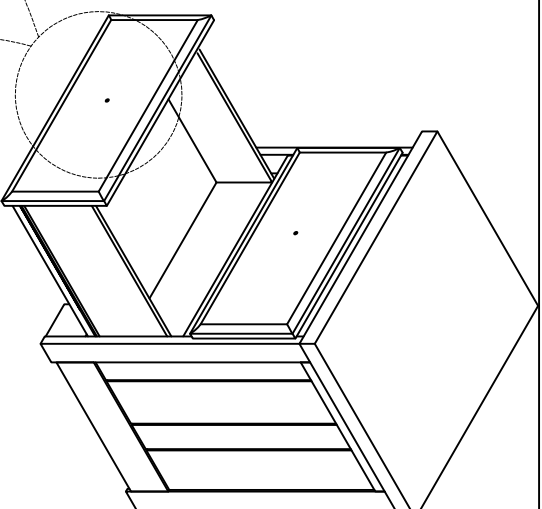
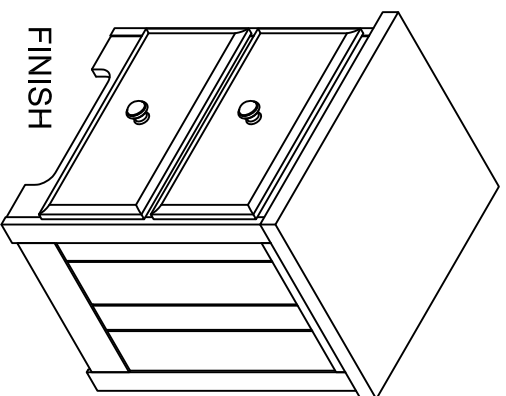


FIGURE 1

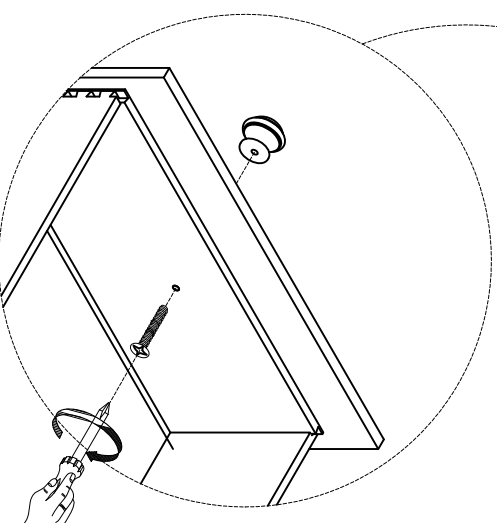


FIGURE 2

Step 1 : Pull out drawer to unscrew the knob which is pre-attached inside drawer face as shown in figure 1

Step 2: Turn inside out the knob and using screw driver to tighten the knob as shown in figure 2 to complete

***Note:** Repeat the same steps for the rest of drawers. Please do not open all drawers at the same time to avoid from tipping over .

MADE IN VIETNAM

ASSEMBLY INSTRUCTION
Model: 0312 Drawer Chest

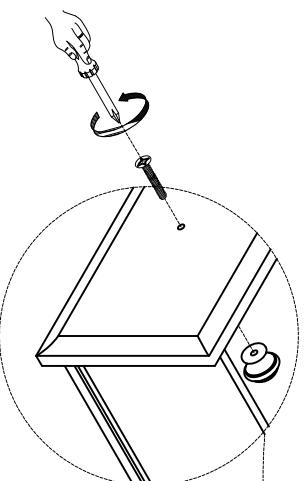
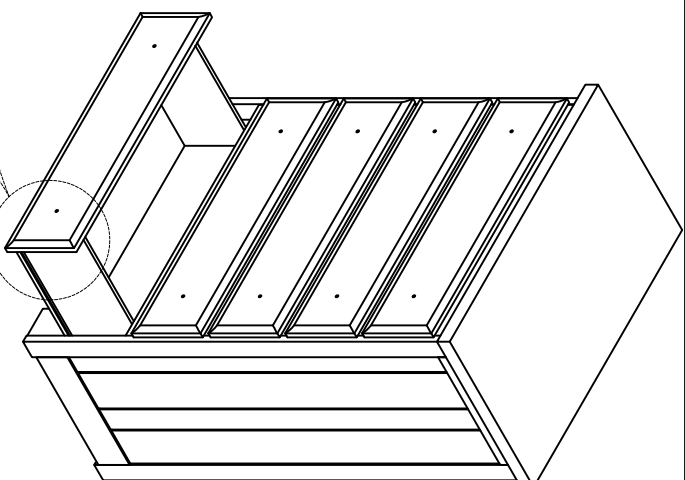
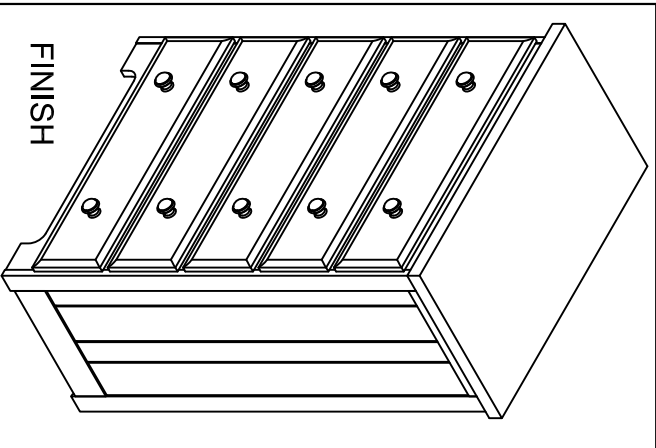


FIGURE 1

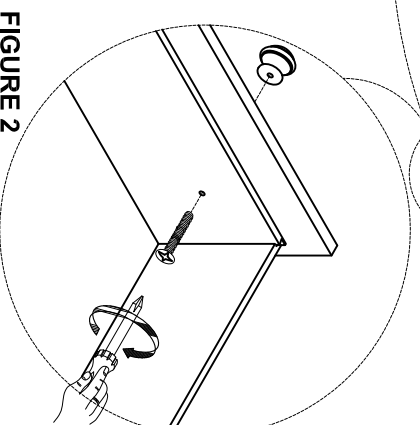


FIGURE 2

Step 1: Pull out drawer to unscrew the knob which is pre-attached inside drawer face as shown in figure 1






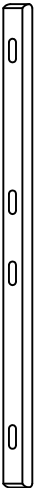
Step 2: Turn inside out the knob and using screw driver to tighten the knob as shown in figure 2 to complete

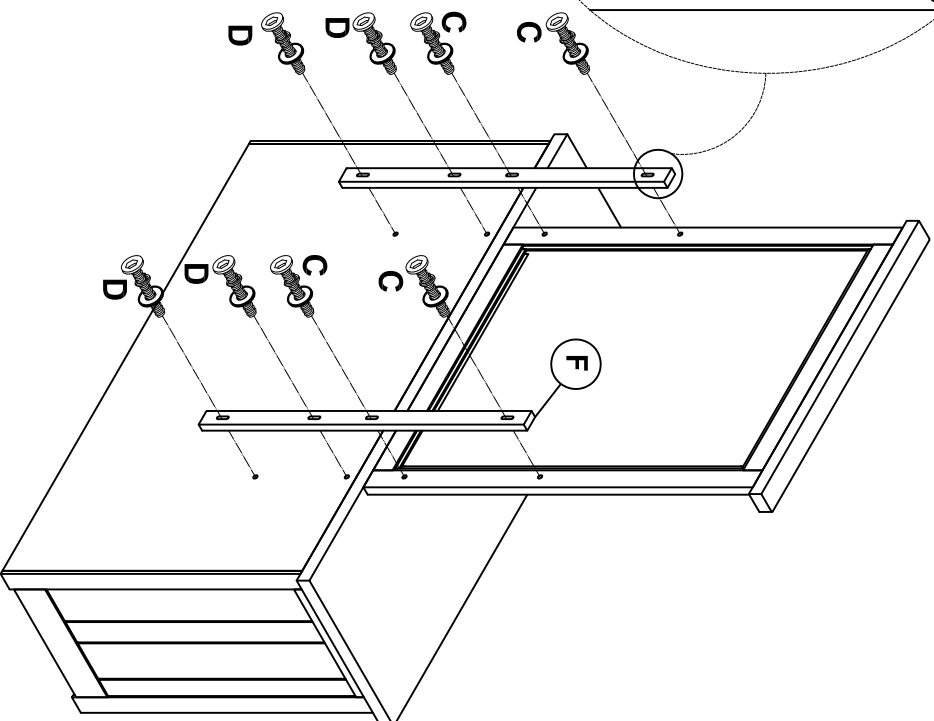
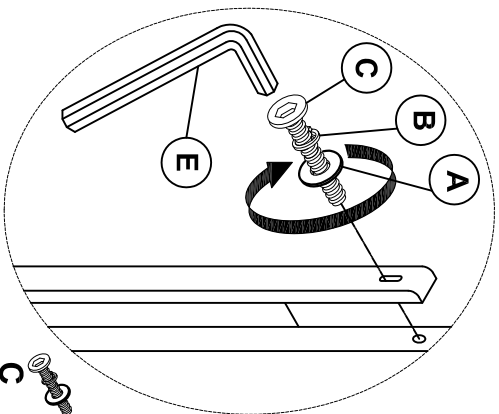
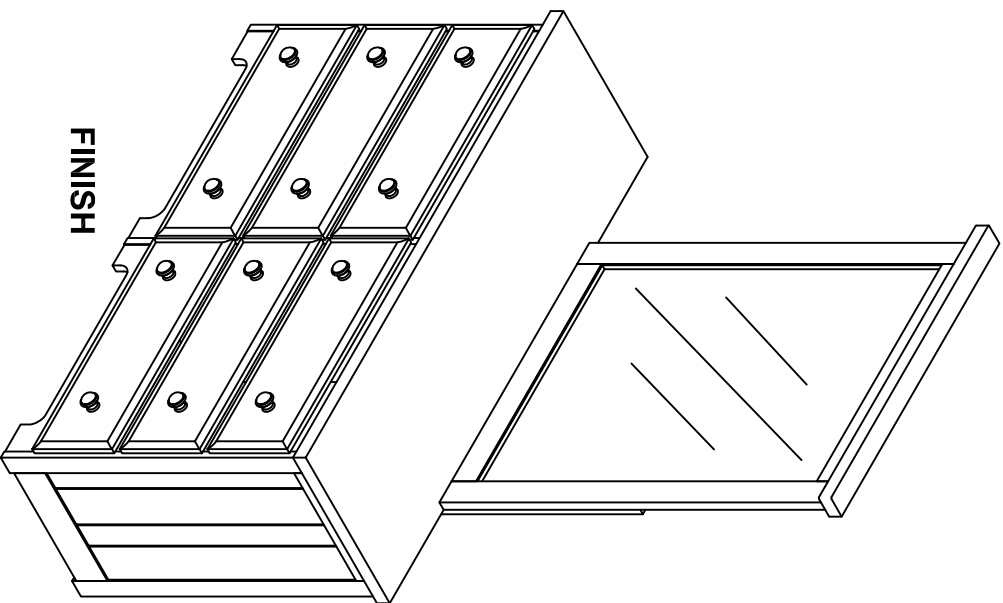
***Note:** Repeat the same steps for the rest of drawers. Please do not open all drawers at the same time to avoid from tipping over.

MADE IN VIETNAM

ASSEMBLY INSTRUCTION

Model: 253 MIRROR






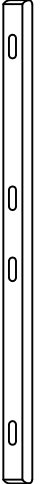
<p>(A) Plat Washer (8pcs)</p>  <p>Ø1/4</p>	<p>(B) Lock Washer (8pcs)</p>  <p>Ø1/4</p>	<p>(C) Bolts (4pcs)</p>  <p>Ø1/4*32</p>	<p>(D) Bolts (4pcs)</p>  <p>Ø1/4*38</p>	<p>(E) Allen Key (1pc)</p>  <p>1/4"</p>	<p>(F) Mirror Support wood (2pcs)</p> 
---	---	--	---	--	---

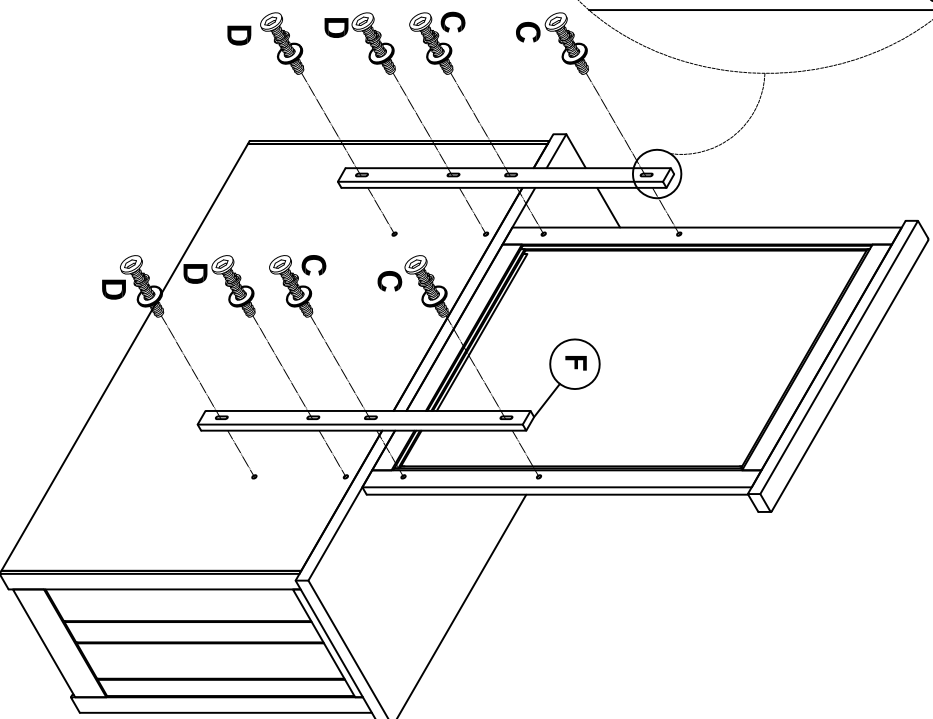
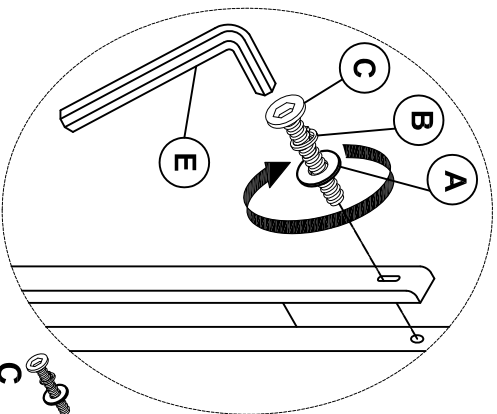
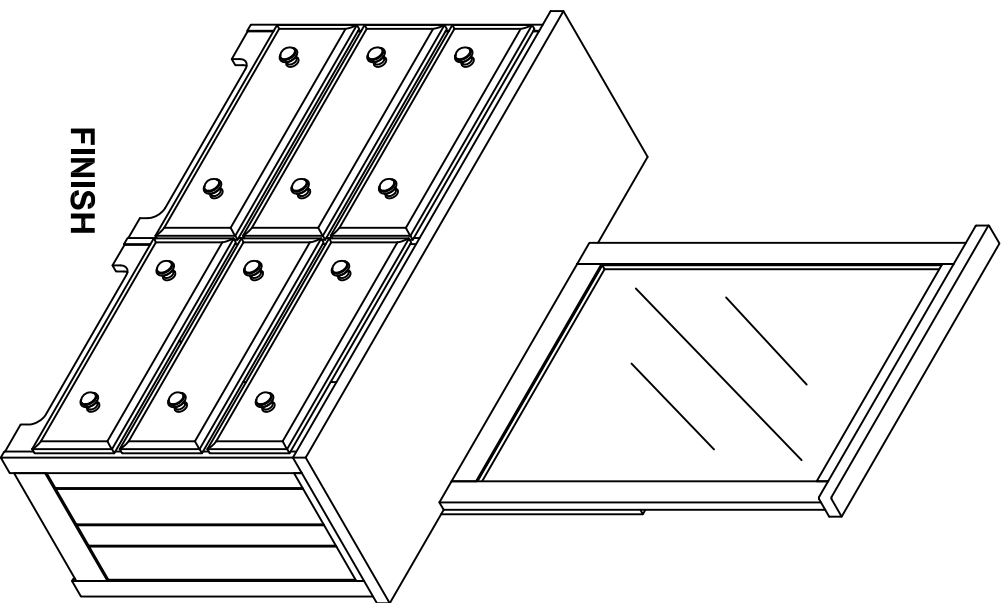


MADE IN VIETNAM

ASSEMBLY INSTRUCTION

Model: 253 MIRROR

<p>(A) Plat Washer (8pcs)</p>  <p>Ø1/4</p>	<p>(B) Lock Washer (8pcs)</p>  <p>Ø1/4</p>	<p>(C) Bolts (4pcs)</p>  <p>Ø1/4*32</p>	<p>(D) Bolts (4pcs)</p>  <p>Ø1/4*38</p>	<p>(E) Allen Key (1pc)</p>  <p>1/4"</p>	<p>(F) Mirror Support wood (2pcs)</p> 
---	---	--	---	--	---

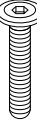

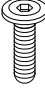



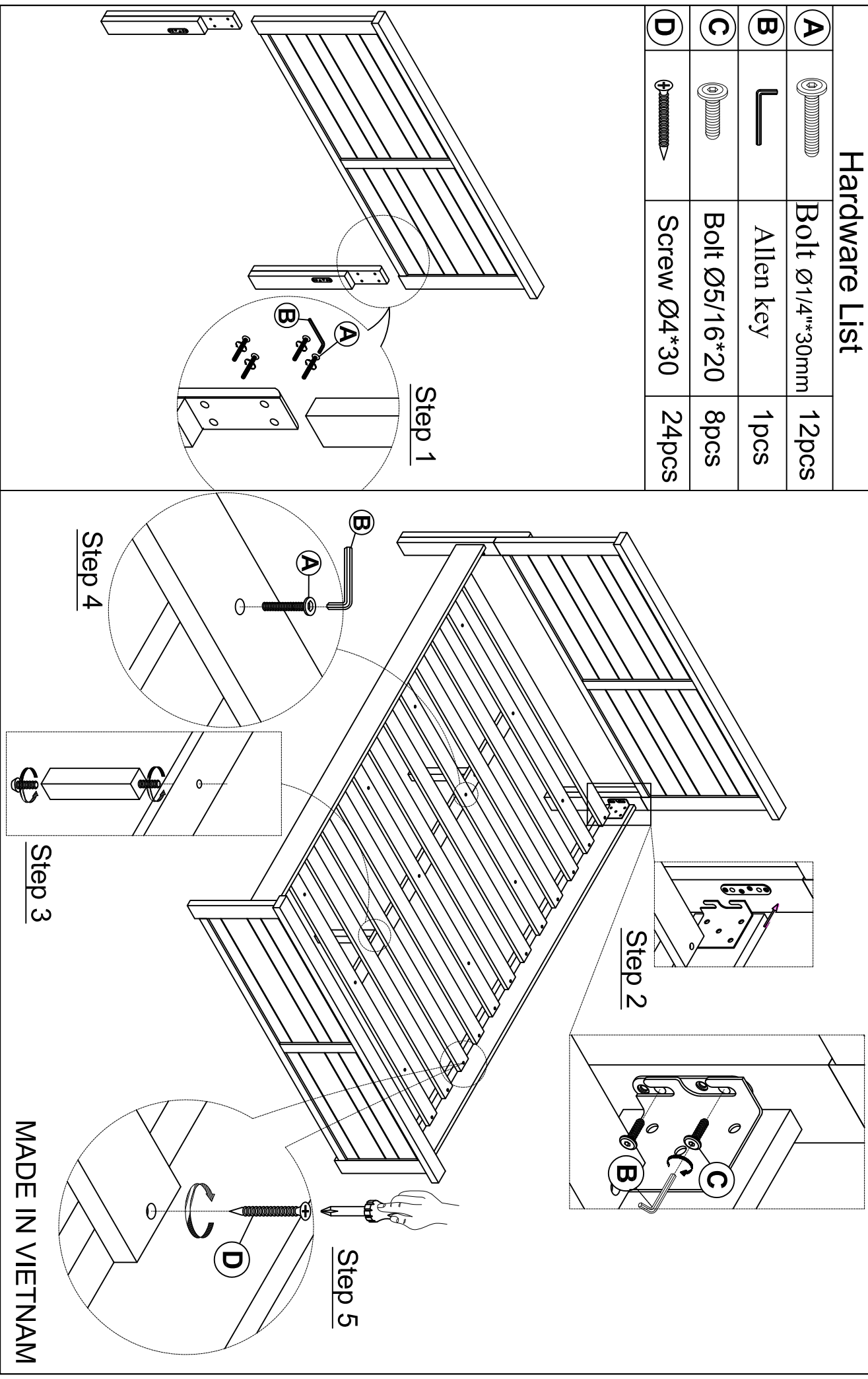
MADE IN VIETNAM

ASSEMBLY INSTRUCTION

Model: 0312 FULL BED

Hardware List

A		Bolt Ø1/4"×30mm	12pcs
B		Allen key	1pcs
C		Bolt Ø5/16×20	8pcs
D		Screw Ø4×30	24pcs

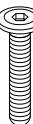

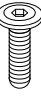



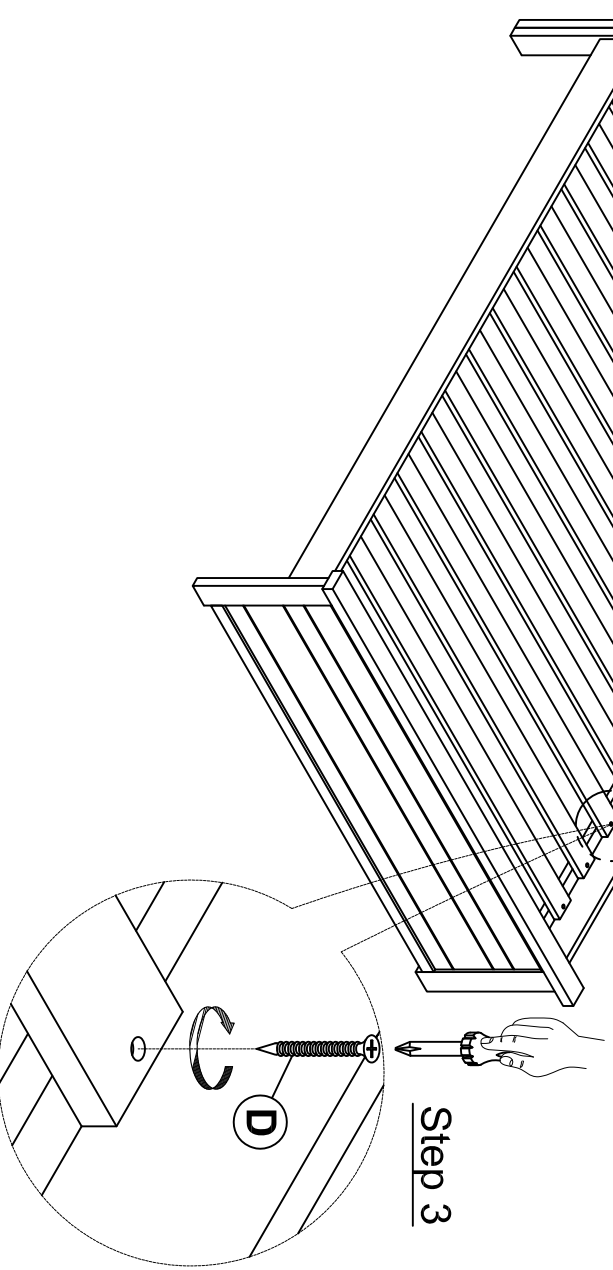
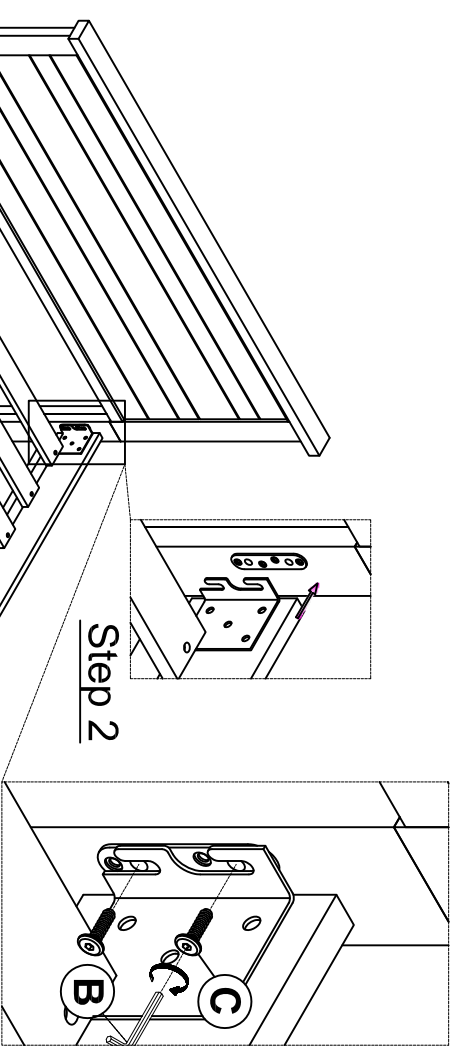
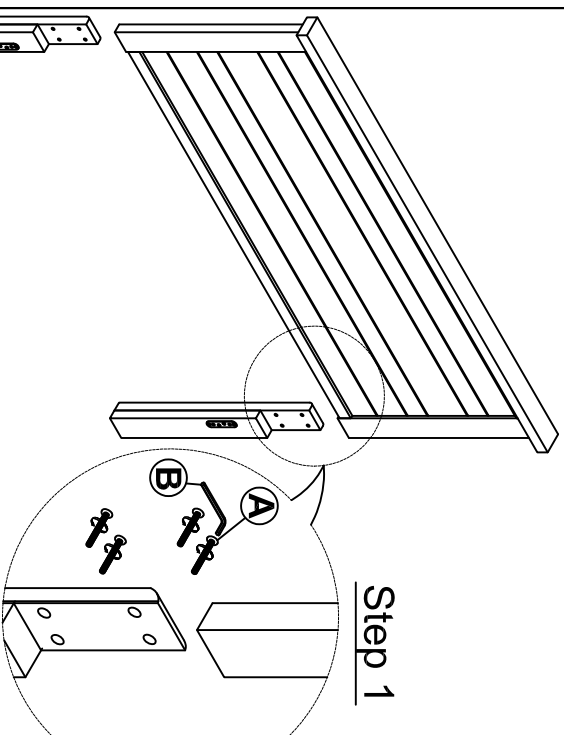
MADE IN VIETNAM

ASSEMBLY INSTRUCTION

Model: 0312 TWIN BED

Hardware List

A		Bolt $\varnothing 1/4'' \times 30\text{mm}$	4pcs
B		Allen key	1pcs
C		Bolt $\varnothing 5/16 \times 20$	8pcs
D		Screw $\varnothing 4 \times 30$	24pcs



MADE IN VIETNAM