



Model: 004 CLUB HOUSE TWIN FULL BUNK

SAFETY WARNINGS

1. Follow the information on the warnings appearing on the upper bunk end structure and on the carton. Do not remove warning label from bed
2. Always use the recommended size mattress or mattress support, or both, to help prevent the likelihood of entrapment or falls.
3. Surface of mattress must be at least 5 inches (127mm) below the upper edge of guardrails.
4. Do not allow children under 6 years of age to use the upper bunk
5. Prohibit more than one person on the upper bunk
6. Periodicalle, check and ensure that the guardrail, ladder, and other components are in their proper position, free from damage, and that all connectors are tight
7. Do not allow horseplay on or under the bed and prohibit jumping on the bed
8. Always use the ladder for entering and leaving the upper bunk.
9. Do not use substitute parts. Contact the manufacturer or dealer for replacement parts.
10. Use of a nightlight may provide added safety precaution for a child using the upper bunk.
11. Always use guardrail on both long sides of the upper bunk. If bunk bed will be placed next to the wall, the guardrail that runs the full length of the bed should be place against the wall to prevent entrapment between the bed and wall.
12. The use of water or sleep flotation mattresses is prohibited.
13. Keep these instruction for future reference.

STRANGULATION HAZARD

Never attach or hang items to any part of the bunk bed that are not designed for use with the bed; for example, but not limited to, hooks, belts and jump ropes.

SIZE OF MATTRESS AND FOUNDATION

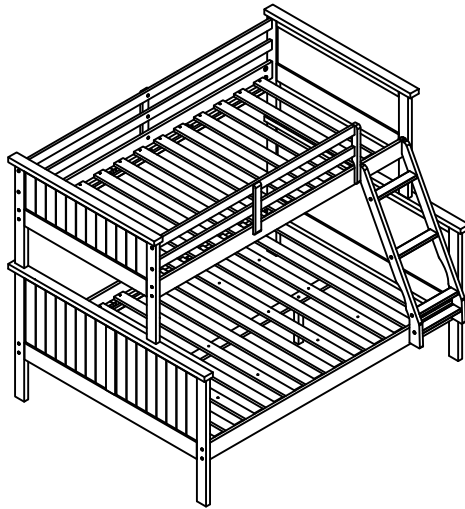
Use only mattress which is 74" - 75" long and 37 1/2" - 38 1/2" wide on twin upper bunk
Ensure thickness of mattress and foundation combined does not exceed 8" and mattress and is at least 5" below upper edge of guardrails.

Replacement parts, maybe obtained from any Donco dealer or directly from us at the below address.

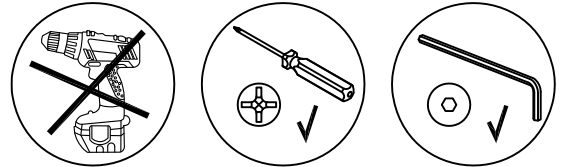
6801 Snowden Road Fort
Worth, Texas 76140

ASSEMBLY INSTRUCTION



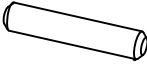

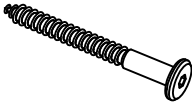



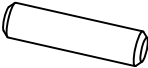

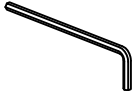
Model: 004 CLUB HOUSE TWIN FULL BUNK



- ① MARK OF DETAIL
- Ⓐ MARK OF HARDWARE



HARDWARE LIST

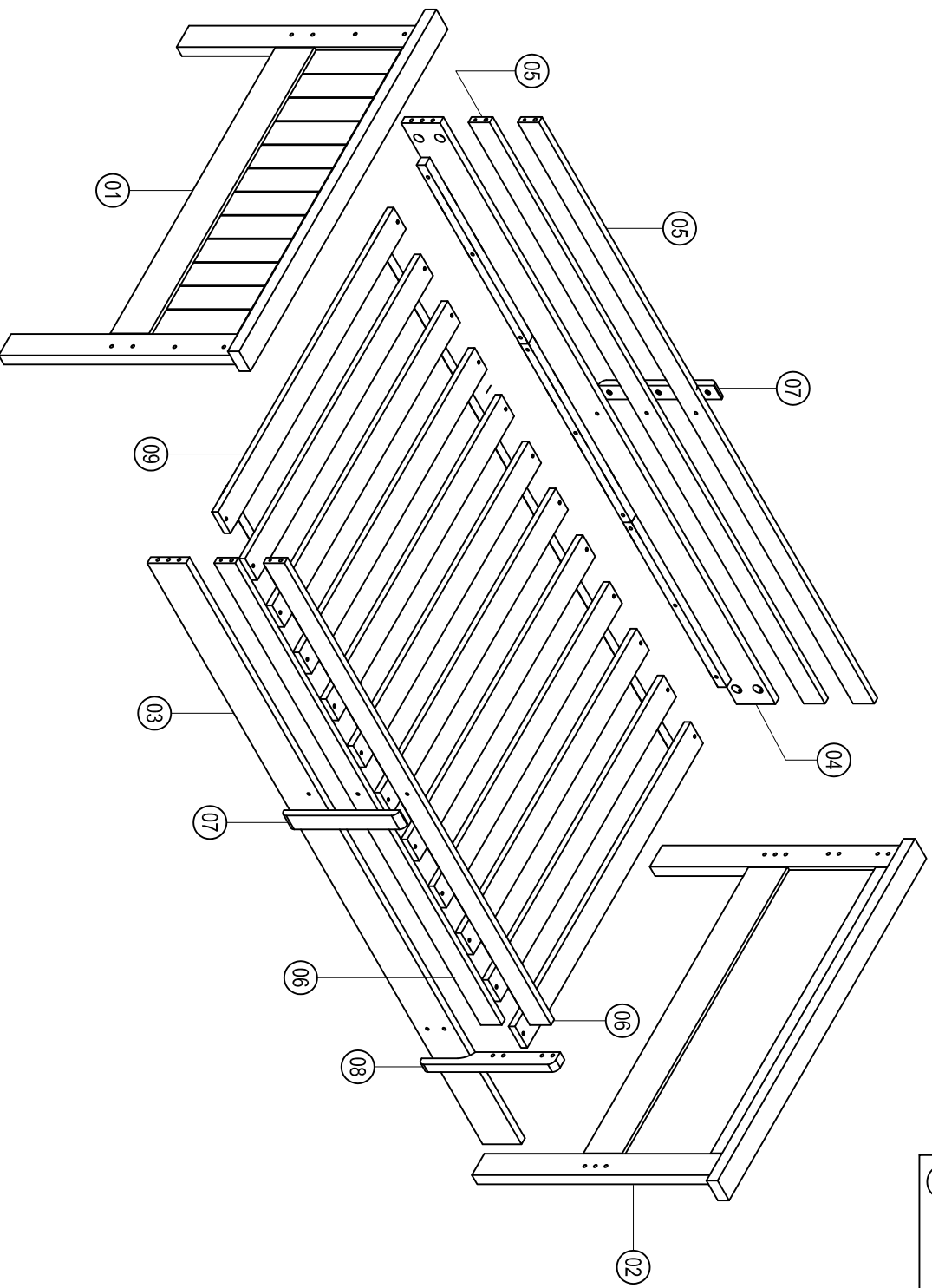
Ref	Hardware name	Dimension	Qty
Ⓐ	 Bolt	Ø1/4*80 mm	16 PCS
Ⓑ	 Half-moon metal pine	Ø1/4" 22*12*10mm	16 PCS
Ⓒ	 Wooden dowel	Ø8*40mm	16 PCS
Ⓓ	 Bolt	Ø1/4*32 mm	12 PCS
Ⓔ	 Screw allen head	Ø1/4*80 mm	8 PCS
Ⓕ	 Screw allen head	Ø1/4*60 mm	8 PCS
Ⓖ	 Screw	Ø4*30 mm	48 PCS
Ⓗ	 Metal dowel	Ø10*80 mm	4 PCS
Ⓘ	 Wooden dowel	Ø10*40mm	16 PCS
Ⓙ	 Screw	Ø4*15 mm	4 PCS
Ⓚ	 Allen key	Ø4*60 mm	1 PC

ASSEMBLY INSTRUCTION

Model: 004 CLUB HOUSE TWIN FULL BUNK

PART LIST FOR DETAIL TWIN FULL BUNK BED UPPER

- 01 MARK OF DETAIL
- A MARK OF HARDWARE

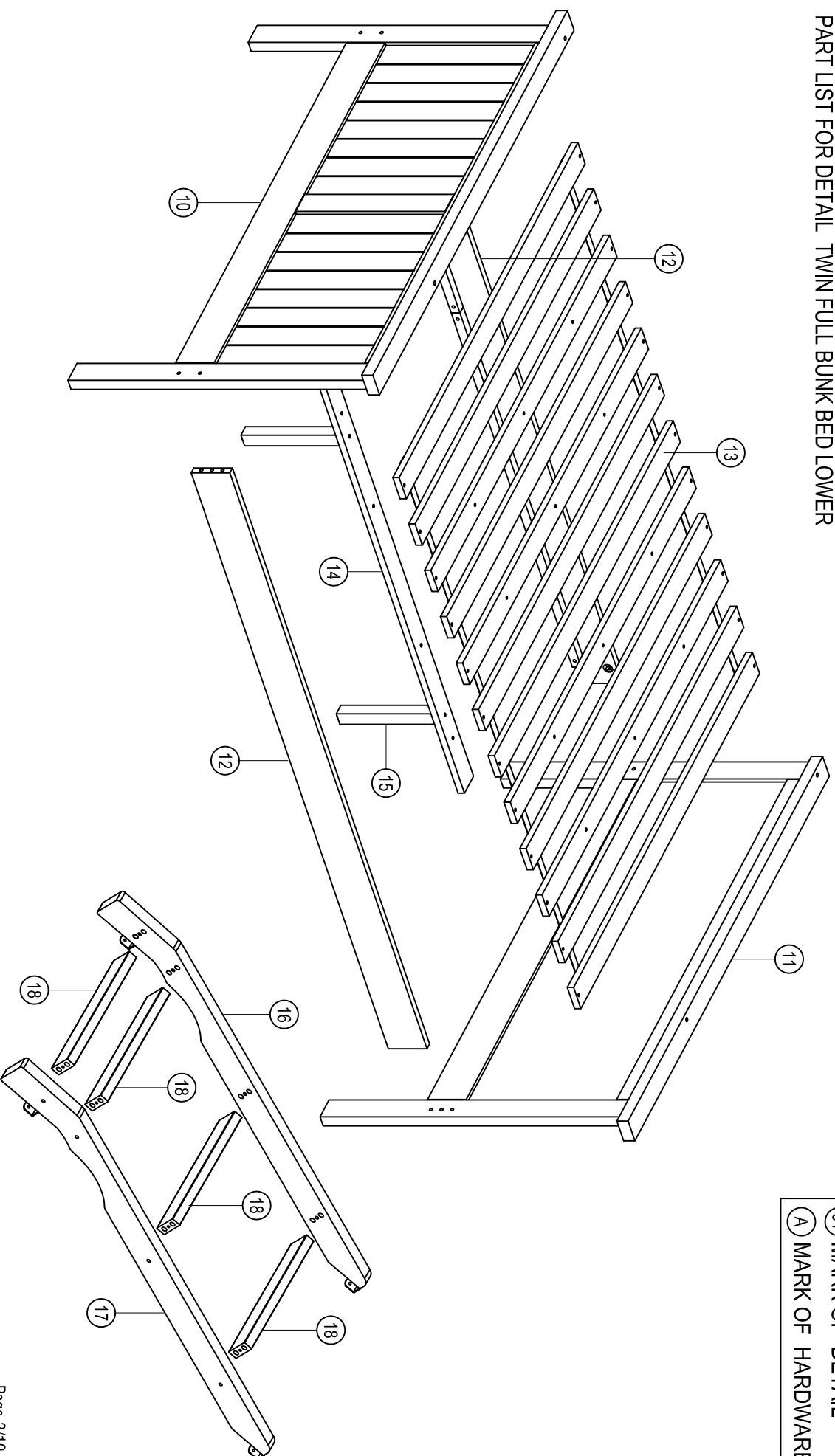


ASSEMBLY INSTRUCTION

Model: 004 CLUB HOUSE TWIN FULL BUNK

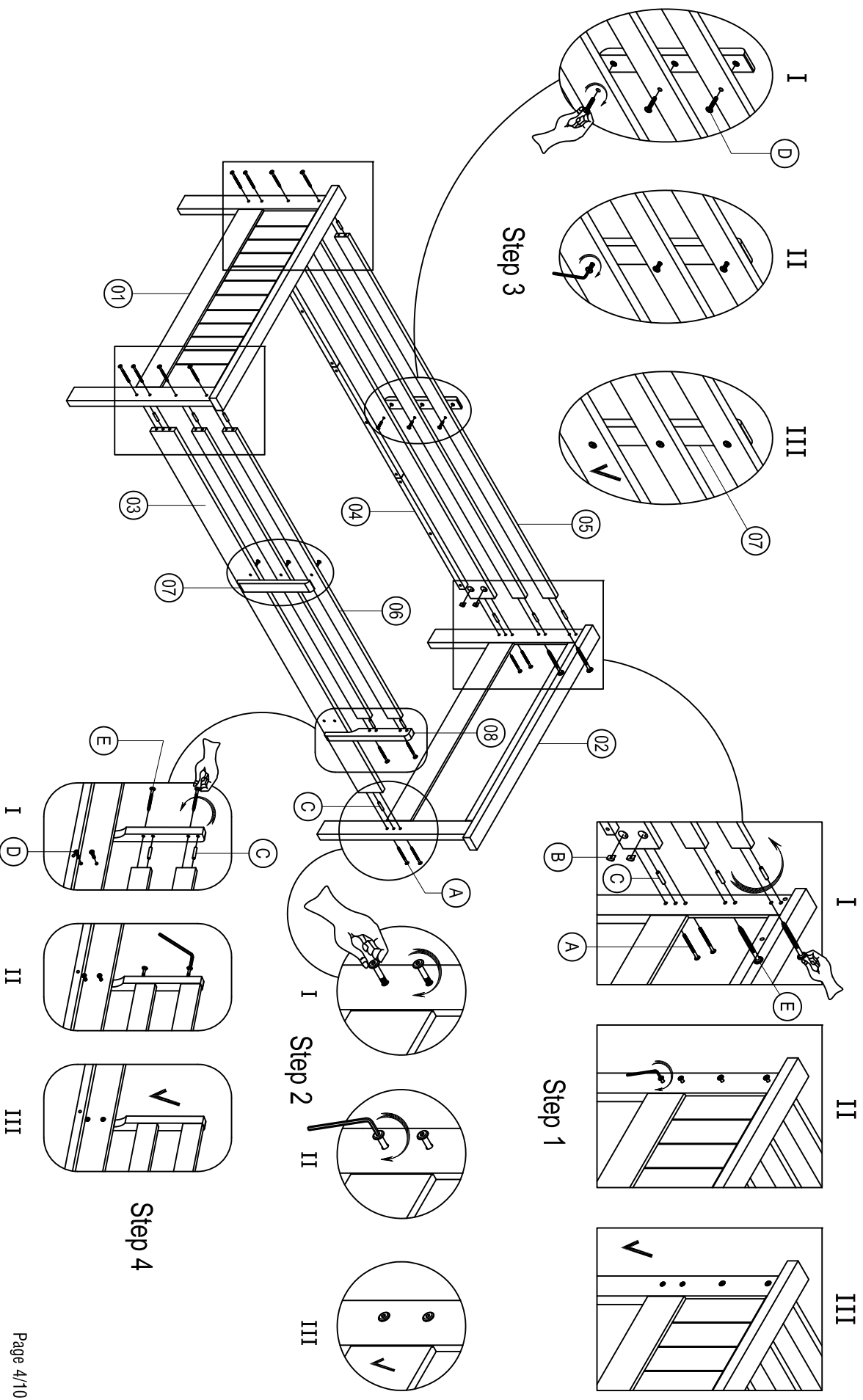
PART LIST FOR DETAIL TWIN FULL BUNK BED LOWER

- ⓪1 MARK OF DETAIL
- Ⓐ MARK OF HARDWARE



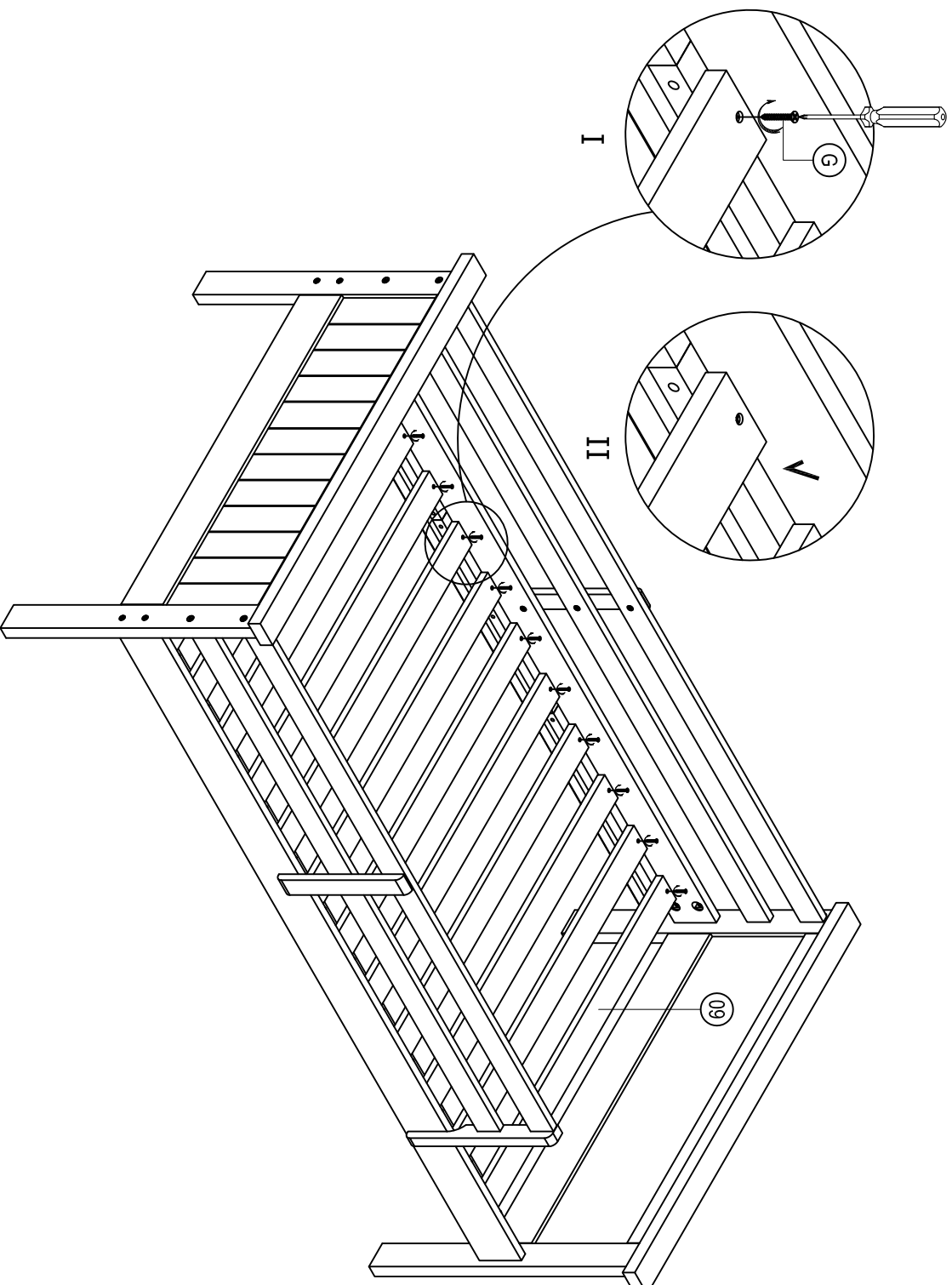
ASSEMBLY INSTRUCTION

Model: 004 CLUB HOUSE TWIN FULL BUNK



ASSEMBLY INSTRUCTION
Model: 004 CLUB HOUSE TWIN FULL BUNK

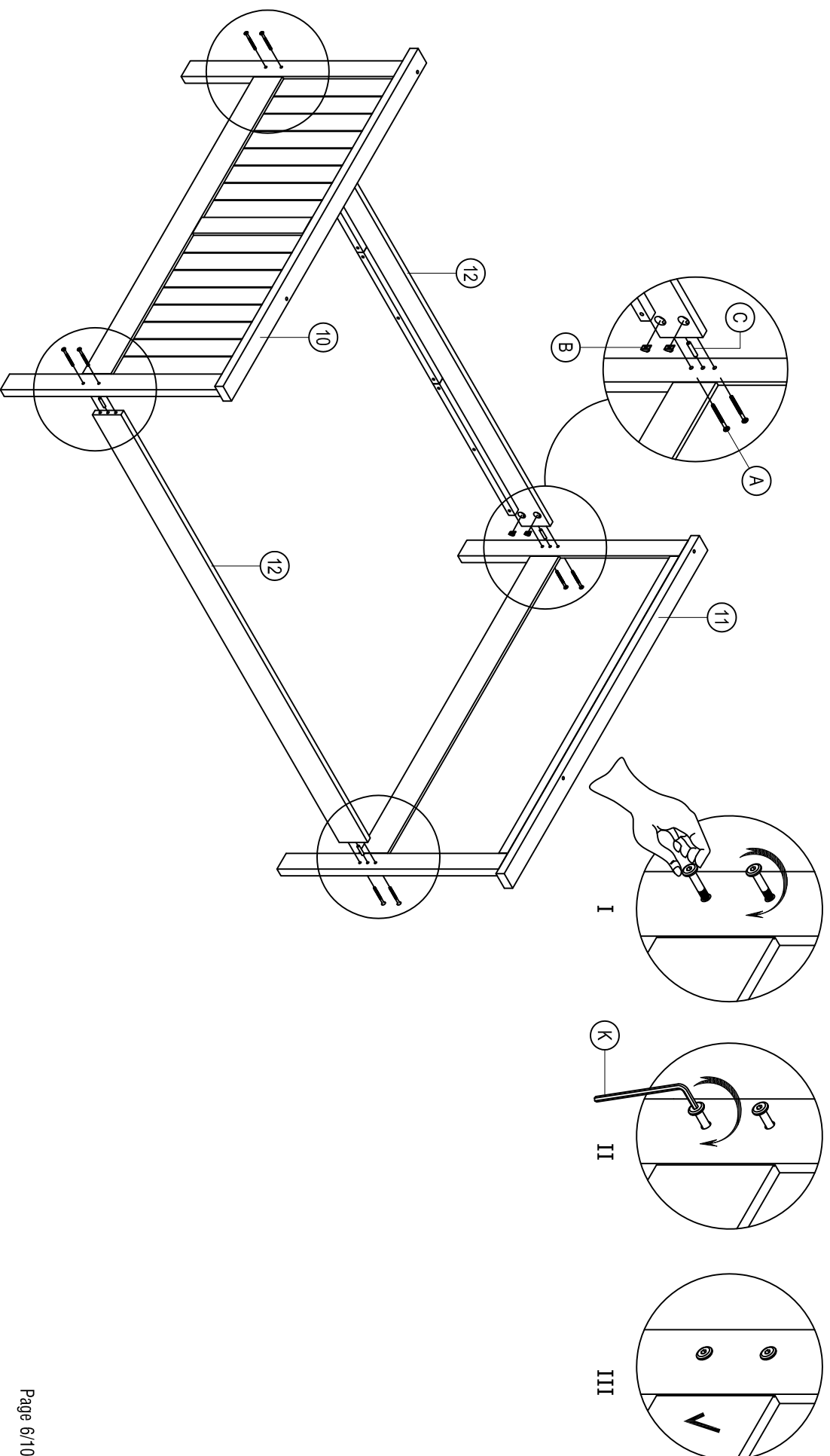
Step 5



ASSEMBLY INSTRUCTION

Model: 004 CLUB HOUSE TWIN FULL BUNK

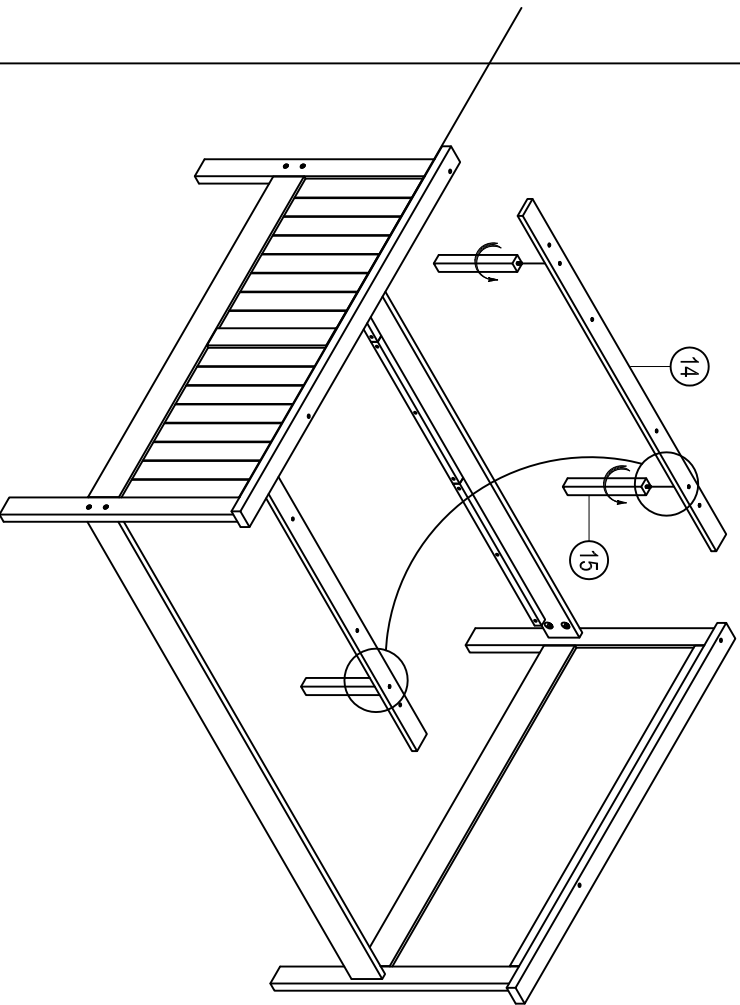
Step 6



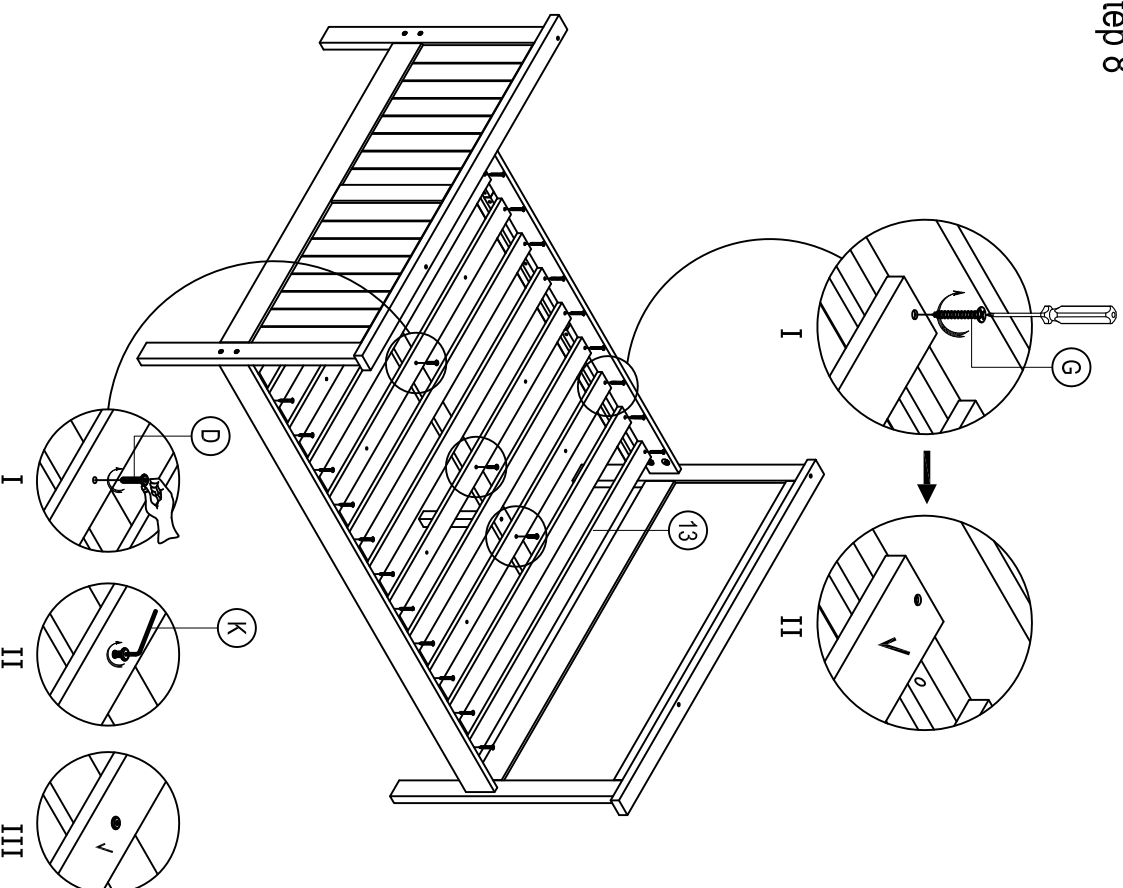
ASSEMBLY INSTRUCTION

Model: 004 CLUB HOUSE TWIN FULL BUNK

Step 7

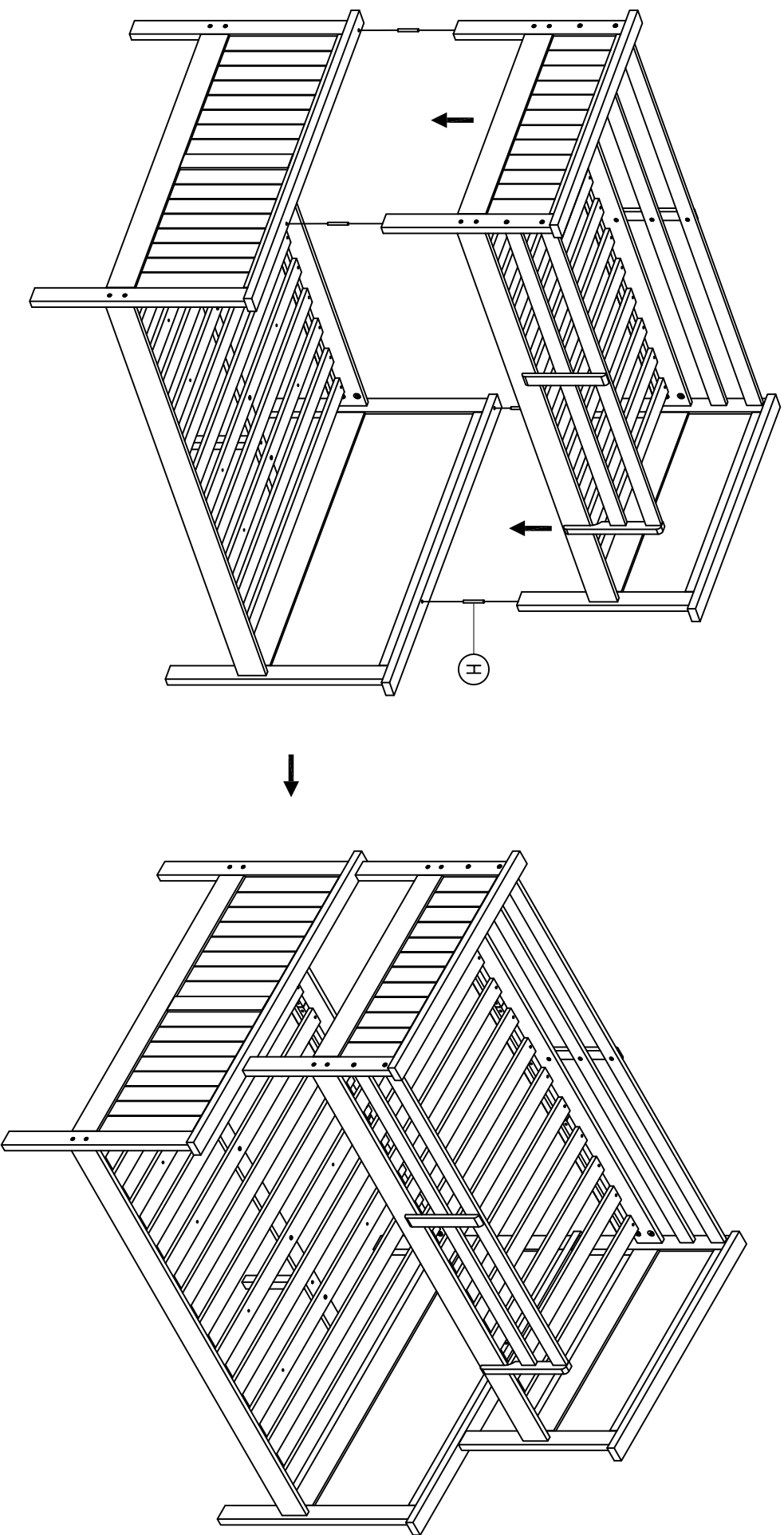


Step 8



ASSEMBLY INSTRUCTION
Model: 004 CLUB HOUSE TWIN FULL BUNK

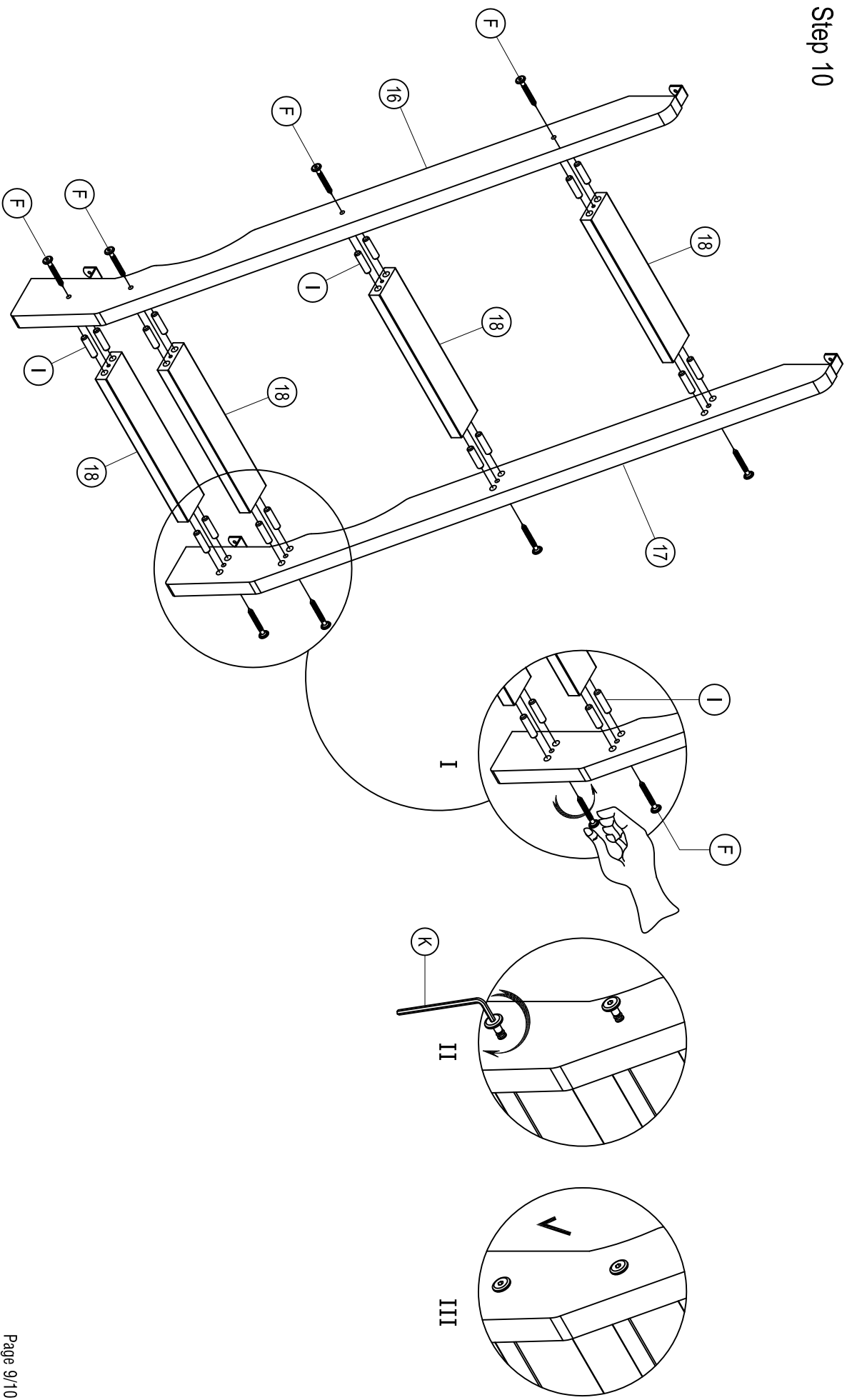
Step 9



ASSEMBLY INSTRUCTION

Model: 004 CLUB HOUSE TWIN FULL BUNK

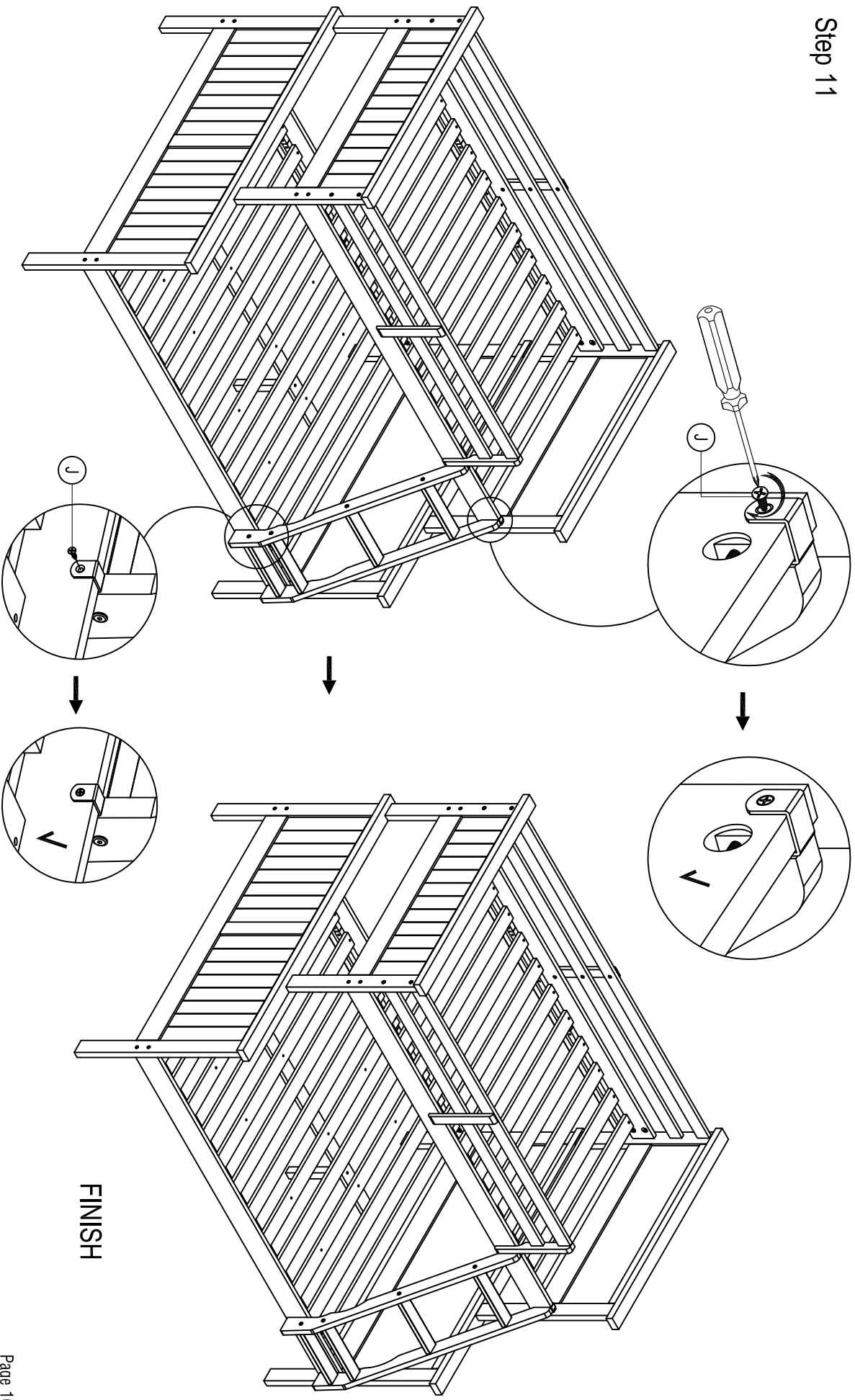
Step 10



ASSEMBLY INSTRUCTION

Model: 004 CLUB HOUSE TWIN FULL BUNK

Step 11



FINISH