

## Size of Mattress and Foundation

The length and width of the upper bunk TWIN mattress and foundation are as follows:

Length  
74"-75"

Width  
37½"-38½"

Thickness  
10" max

### **You must use only this size mattress.**

Ensure thickness of mattress and foundation combined does not exceed 10"  
and that the mattress is at least 5" below upper edge of guardrails.

This Bunk Bed uses a slat kit for mattress foundation.



## **SAFETY WARNINGS**

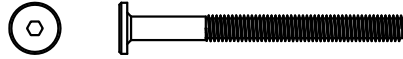


1. Follow the information on the warnings appearing on the upper bunk end structure and on the carton. Do not remove warning label from bed.
2. Always use the recommended size mattress or mattress support, or both, to help prevent the likelihood of entrapment or falls.
3. Surface of mattress must be at least 5 inches below the upper edge of guardrails.
4. Do not allow children under 6 years of age to use the upper bunk.
5. Prohibit more than one person on upper bunk.
6. Periodically check and ensure that the guardrail, ladder, and other components are in their proper position, free from damage, and that all connectors are tight.
7. Do not allow horseplay on or under the bed and prohibit jumping on the bed.
8. Always use the ladder for entering and leaving the upper bunk.
9. Do not use substitute parts. Contact the manufacturer or dealer for replacement parts.
10. Use of a night light may provide added safety precaution for a child using the upper bunk.
11. Always use guardrails on both long sides of the upper bunk. If the bunk bed will be placed next to the wall, the guardrail that runs the full length of the bed should be placed against the wall to prevent entrapment between the bed and wall.
12. The use of water or sleep flotation mattresses is prohibited.
13. Keep these instructions for future reference.
14. **STRANGULATION HAZARD**-Never attach or hang items to any part of the bunk bed that are not designed for use with the bed; for example, but not limited to, hooks, belts and jump ropes.

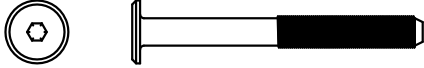
Replacement parts may be obtained from any Donco dealer or directly from us at the below address

**6801 Snowden Road Fort  
Worth, Texas 76140**

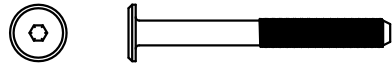
# H A R D W A R E



**A** — M6 X 100mm  
ALLEN BOLT - 24 pcs



**B** — M6 X 70mm  
ALLEN BOLT - 19 pcs



**C** — M6 X 60mm  
ALLEN BOLT - 8 pcs



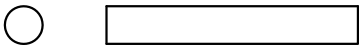
**D** — M6 X 30mm  
ALLEN BOLT - 5 pcs



**E** — M6 X 16mm CROSS DOWEL - 43 pcs      **F** — M6 X 12mm CROSS DOWEL - 8 pcs



**G** — Wood Dowel - 41 pcs



**H** — Metal Pin = 4pcs

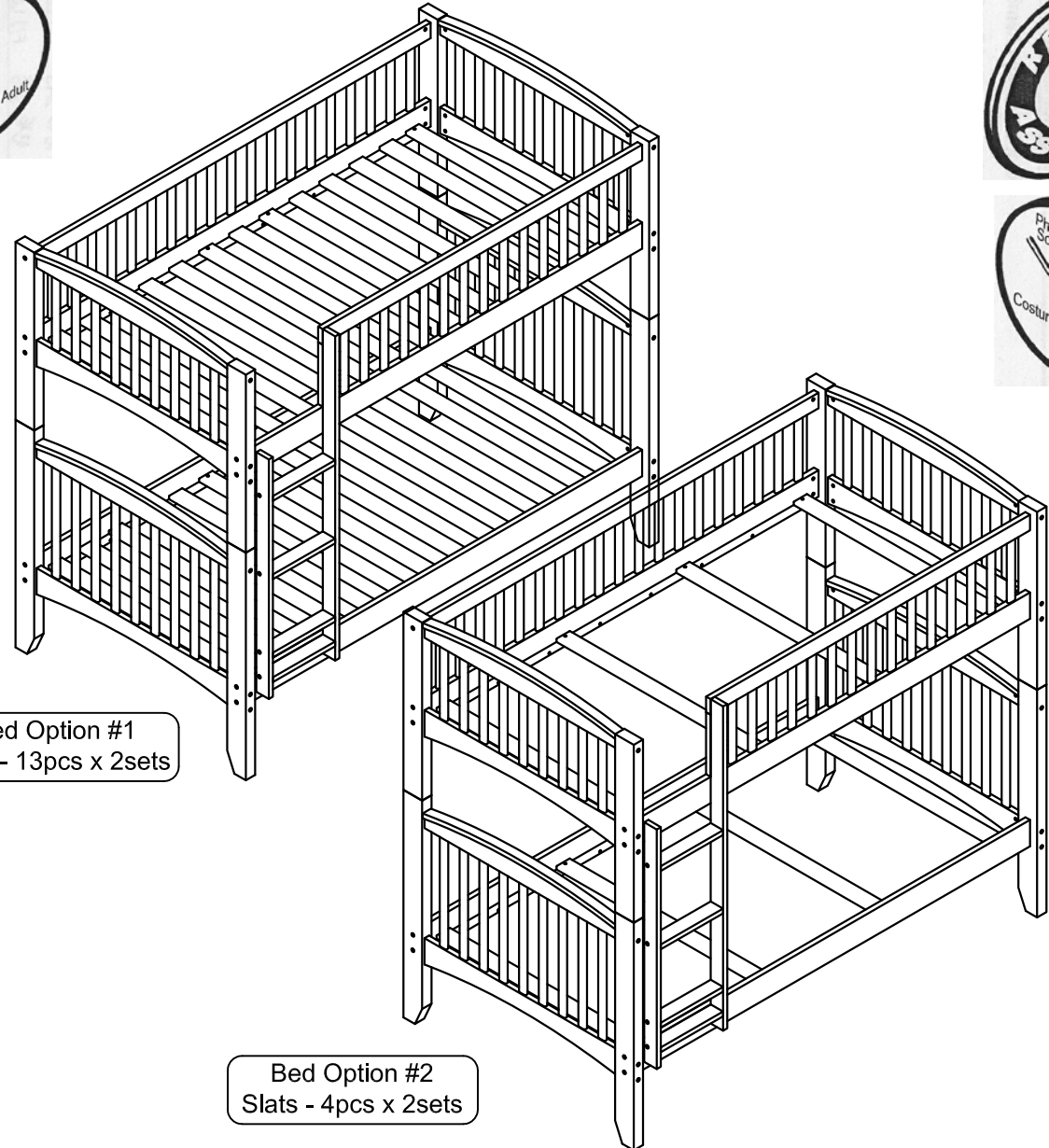
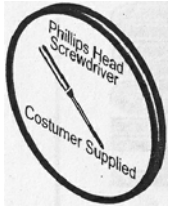


**I** — Allen Key - 2pcs

## 909-A Premium Bunk Bed A

### Assembly Instructions

Before assembling your Bunk Bed, please read through these instruction carefully, familiarising yourself with different parts



Bed Option #1  
Slats - 13pcs x 2sets

Bed Option #2  
Slats - 4pcs x 2sets

# PART LIST

## BOX 1 OF 3

- ① HB/FB Panel Upper Bunk \_\_\_\_\_ 2 pcs
- ② Right Upper Back Post \_\_\_\_\_ 1 pc
- ③ Left Upper Back Post \_\_\_\_\_ 2 pcs
- Right Upper Front Post \_\_\_\_\_ 2 pcs
- ④ Left Upper Front Post \_\_\_\_\_ 1 pc
- ⑤ HB/FB Panel Lower Bunk \_\_\_\_\_ 2 pcs
- ⑥ Left Lower Back Post \_\_\_\_\_ 2 pcs
- Right Lower Front Post \_\_\_\_\_ 2 pcs
- ⑦ Left Lower Front Post \_\_\_\_\_ 2 pcs
- Right Lower Back Post \_\_\_\_\_ 2 pcs

## BOX 2 OF 3

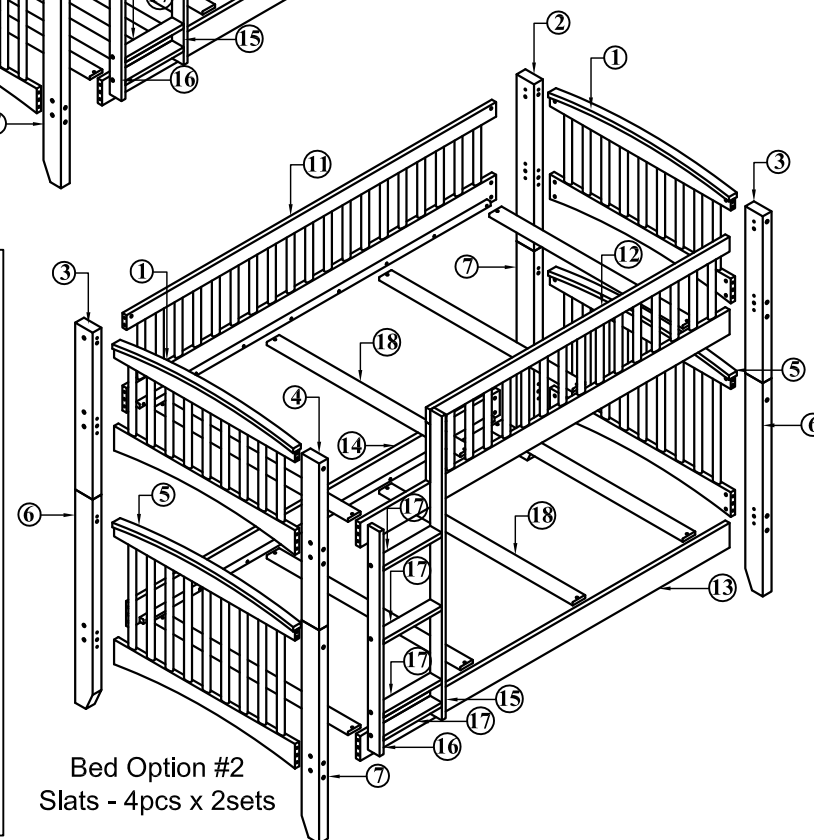
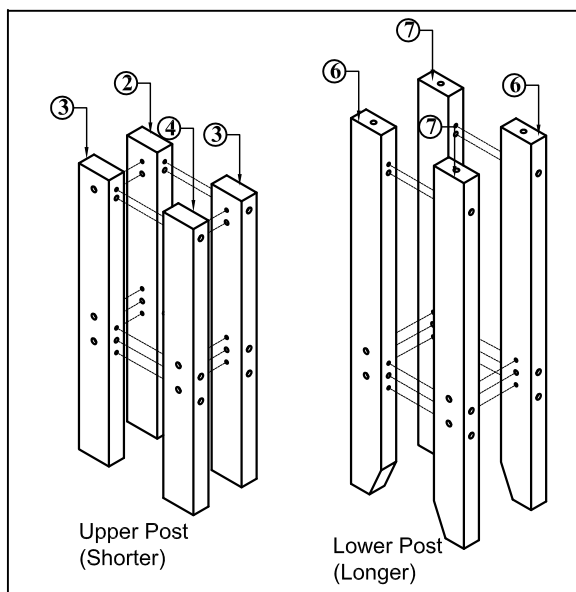
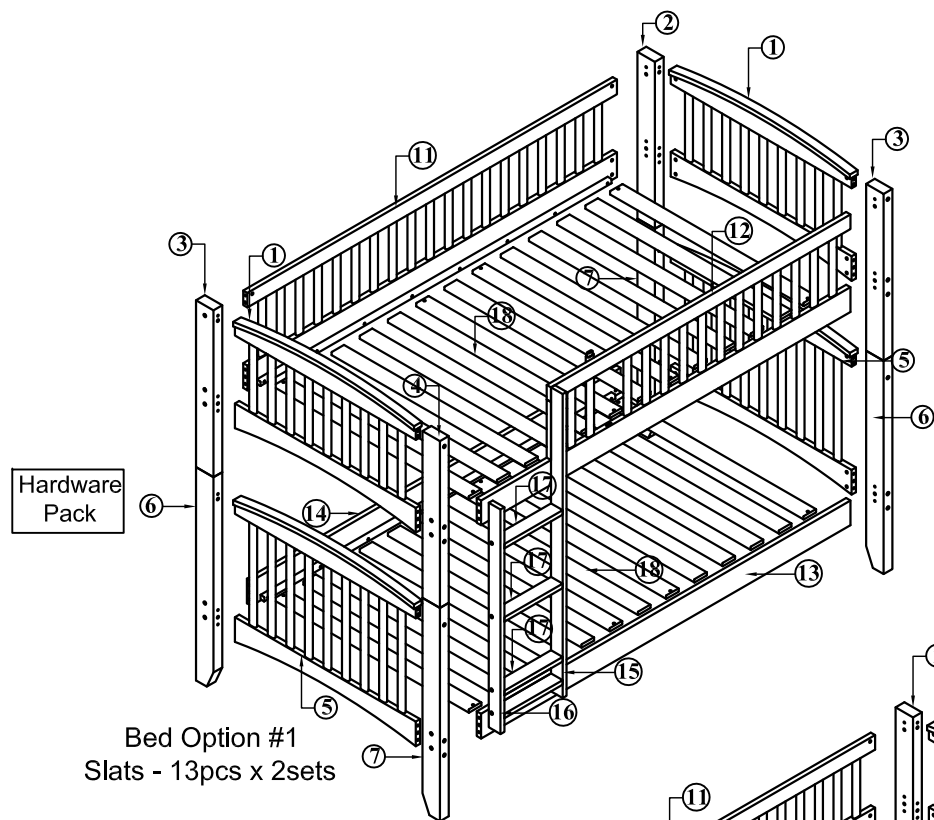
- ⑪ Back Guard Rail \_\_\_\_\_ 1 pc
- ⑫ Front Guard Rail \_\_\_\_\_ 1 pc
- ⑬ Lower Front Side Rail \_\_\_\_\_ 1 pc
- ⑭ Lower Back Side Rail \_\_\_\_\_ 1 pc
- ⑮ Long Ladder Rail \_\_\_\_\_ 1 pc
- ⑯ Short Ladder Rail \_\_\_\_\_ 1 pc
- ⑰ Ladder Step \_\_\_\_\_ 4 pcs

## BOX 3 OF 3 (Option #1)

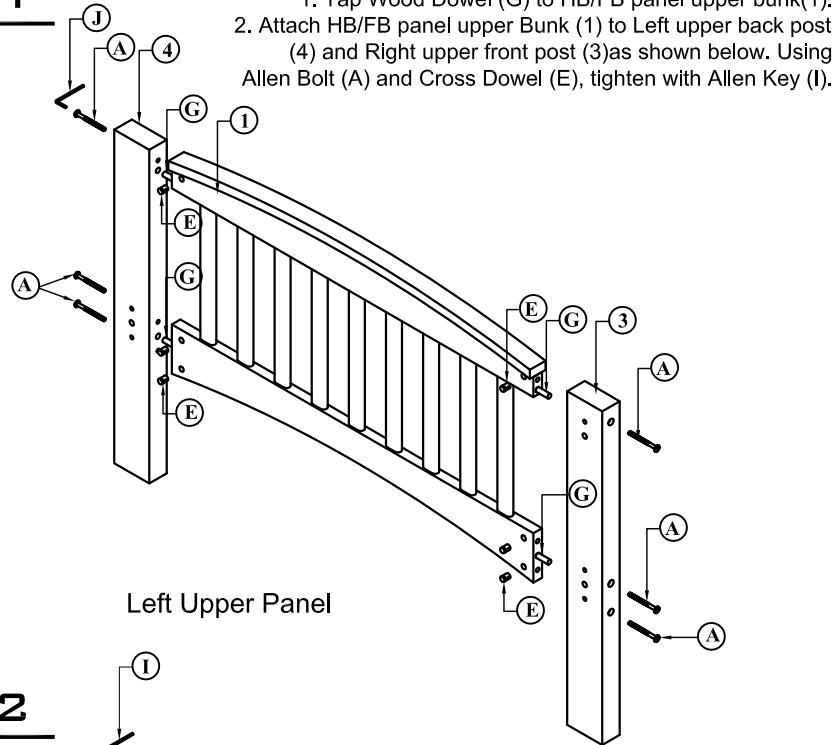
- ⑱ Slats + Wood Screw - 16 pcs \_\_\_\_\_ 13 pcs x 2 sets

## BOX 3 OF 3 (Option #2)

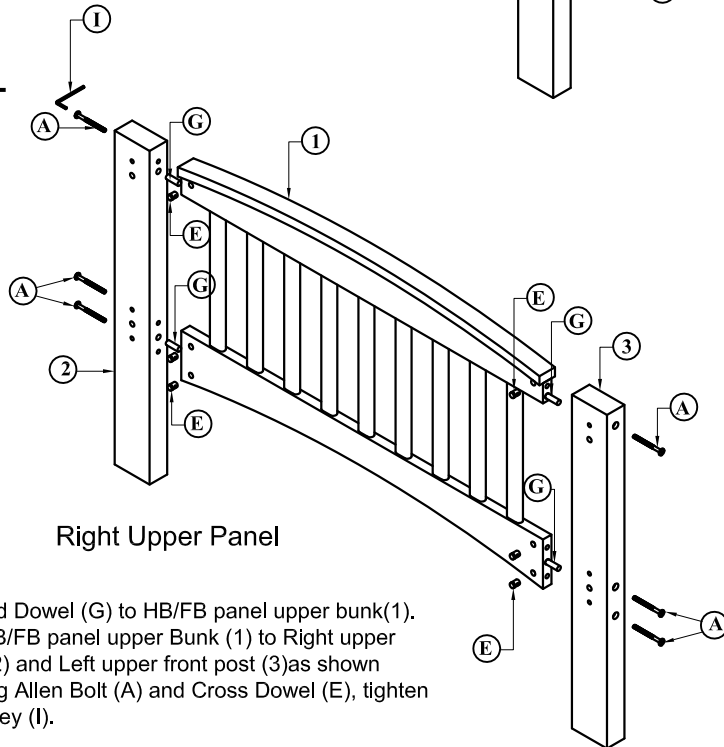
- ⑱ Slats + Wood Screw - 16 pcs \_\_\_\_\_ 4 pcs x 2 sets



## STEP 1



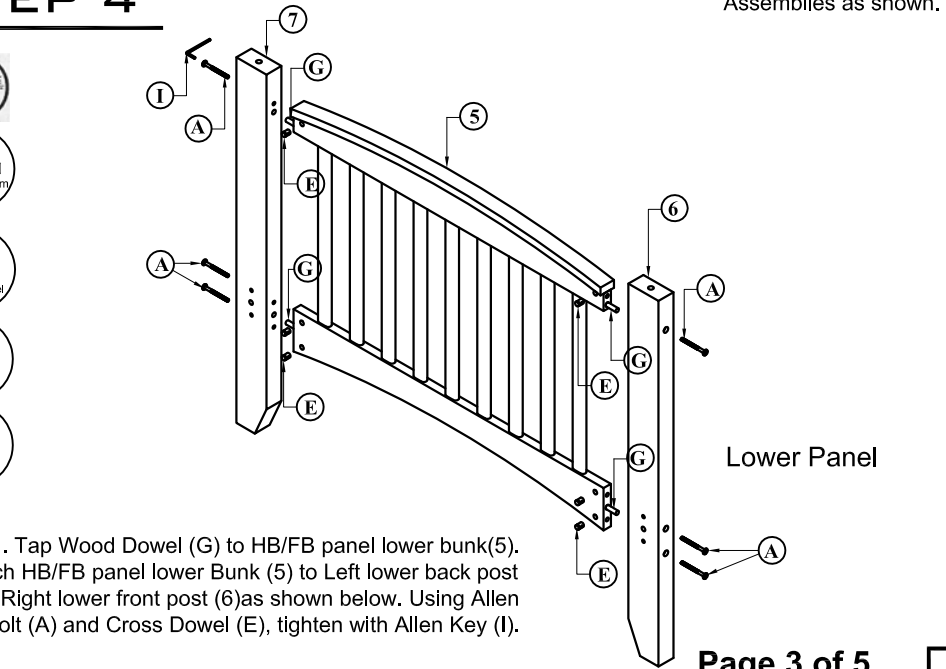
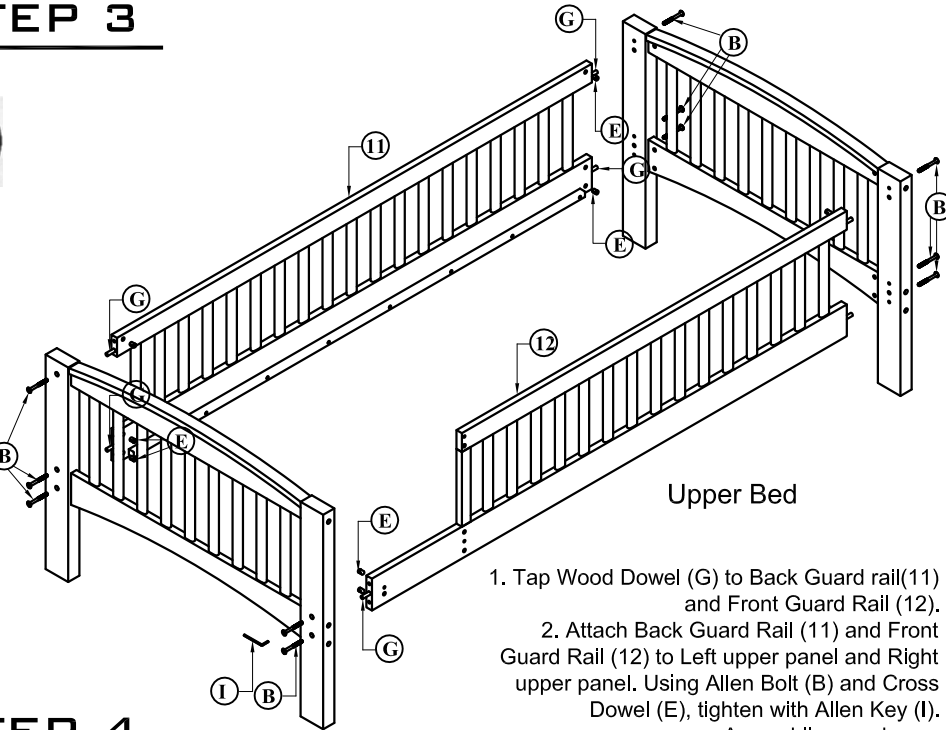
## STEP 2



## STEP 3

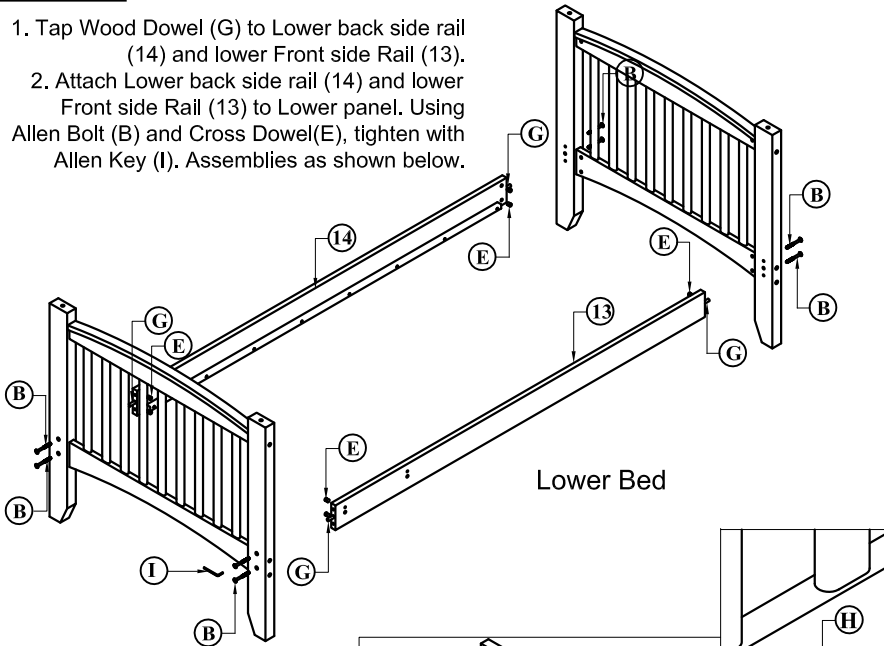


## STEP 4



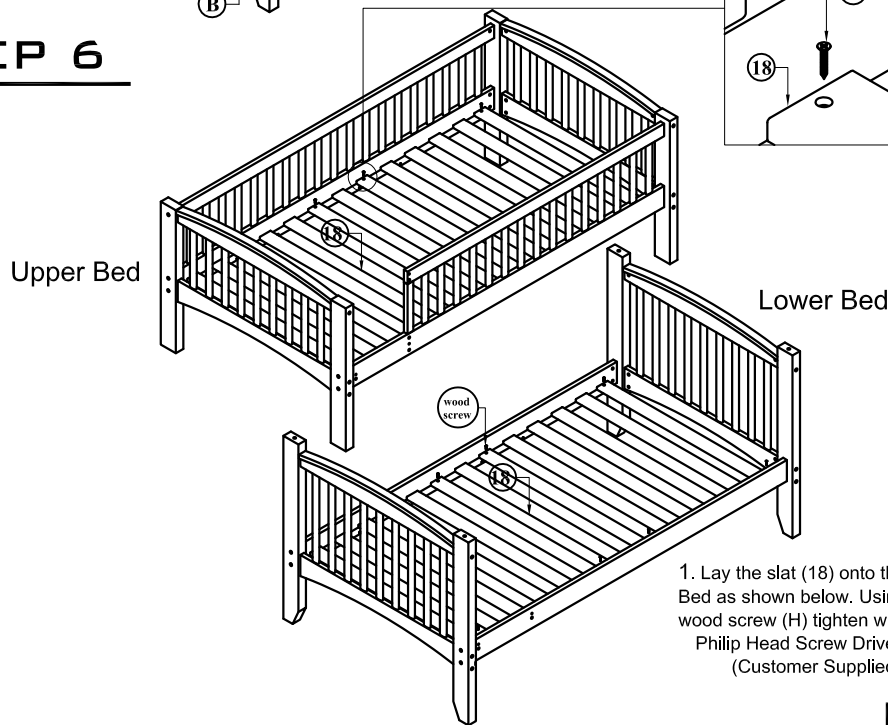
## STEP 5

1. Tap Wood Dowel (G) to Lower back side rail (14) and lower Front side Rail (13).
2. Attach Lower back side rail (14) and lower Front side Rail (13) to Lower panel. Using Allen Bolt (B) and Cross Dowel (E), tighten with Allen Key (I). Assembles as shown below.



Lower Bed

## STEP 6

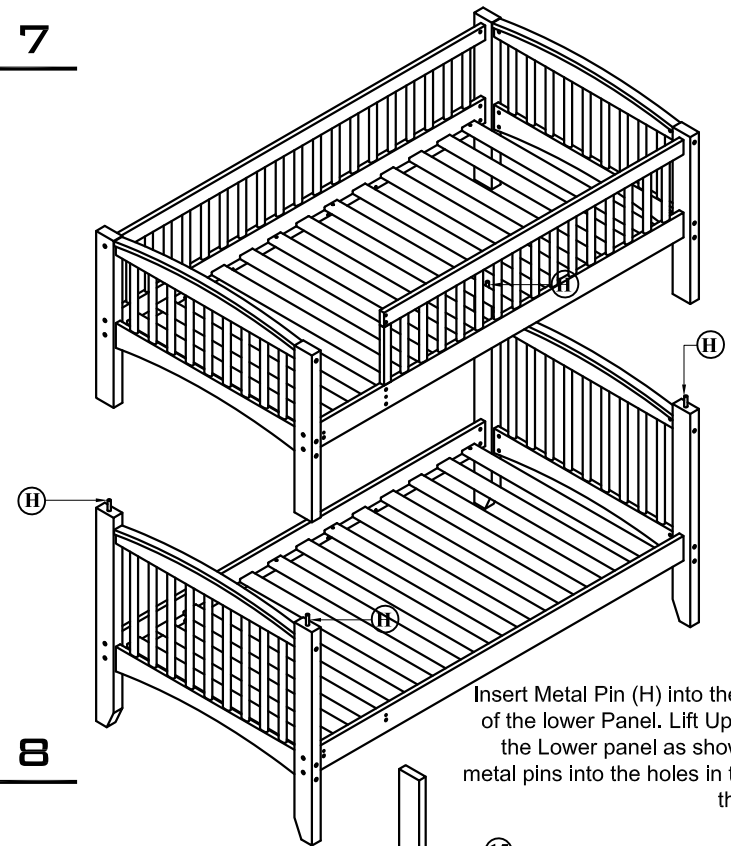


Upper Bed

Lower Bed

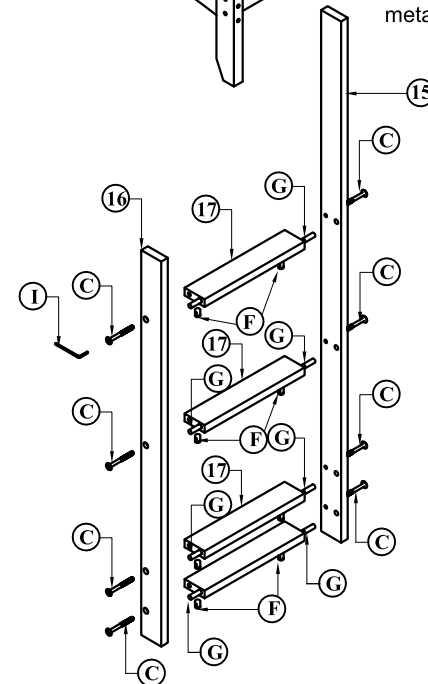
1. Lay the slat (18) onto the Bed as shown below. Using wood screw (H) tighten with Philip Head Screw Driver. (Customer Supplied).

## STEP 7



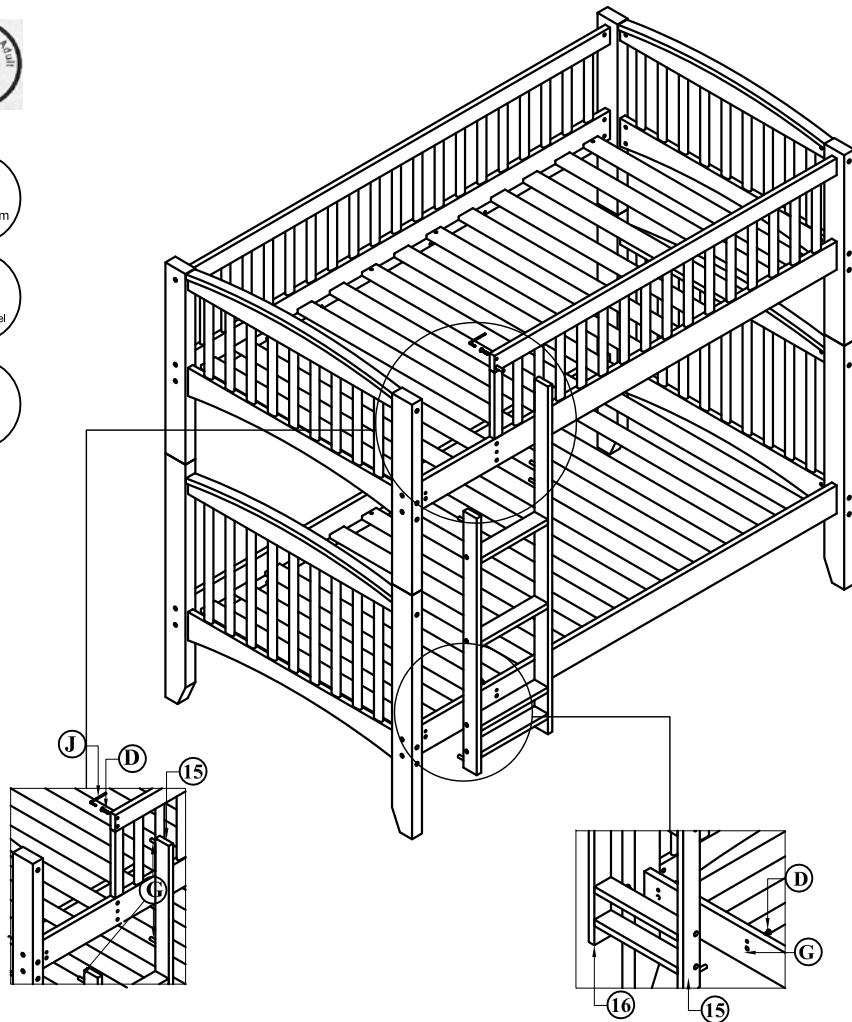
- Insert Metal Pin (H) into the holes in top of the lower Panel. Lift Upper Bed onto the Lower panel as shown and fit the metal pins into the holes in the bottom of the upper bed.

## STEP 8

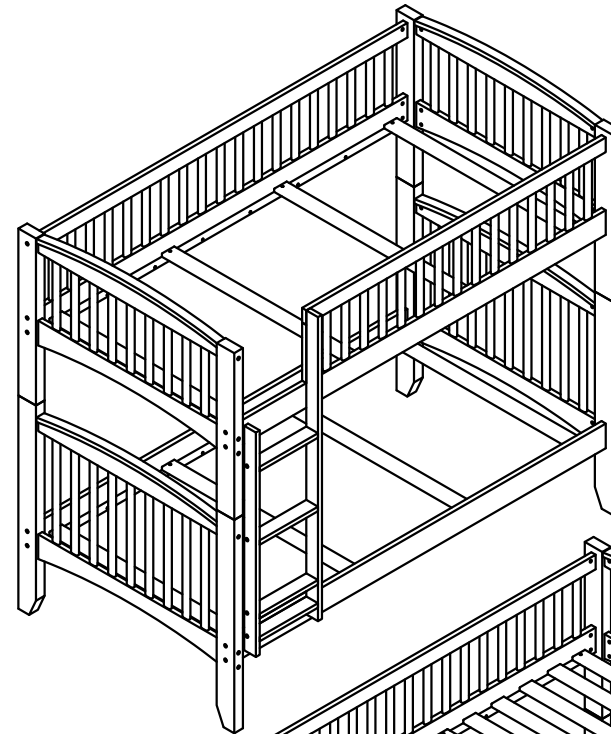


1. Tap Wood Dowel (G) to Ladder Step (17).
2. Attach Ladder Step (17) to the Long Ladder Rail (15) and Short Ladder Rail (16). Using Allen Bolt (C) and Cross Dowel (F), tighten with Allen Key (I). Assembles as shown.

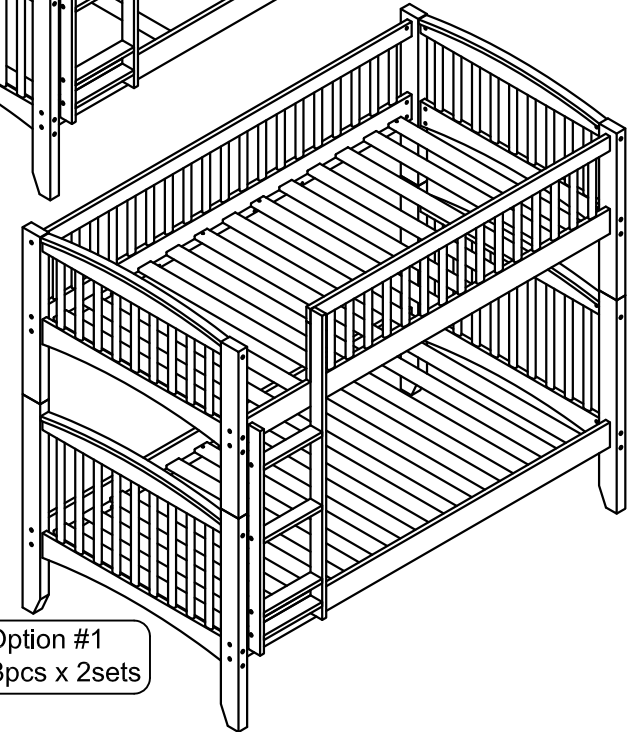
## STEP 9



1. Tap Wood Dowel (G) to Ladder Rail (15) & (16).
2. Attach Ladder to the Front Guard Rail (12). Using Allen Bolt (D) tighten with Allen Key (J). Assemblies as shown.



Bed Option #2  
Slats - 4pcs x 2sets



Bed Option #1  
Slats - 13pcs x 2sets

### Congratulation!

Your 909-A Premium Bunk Bed A is now ready to use.  
We recommend that you recheck that all Bolt are tightened, and that all parts are secure before use and periodically to ensure safety