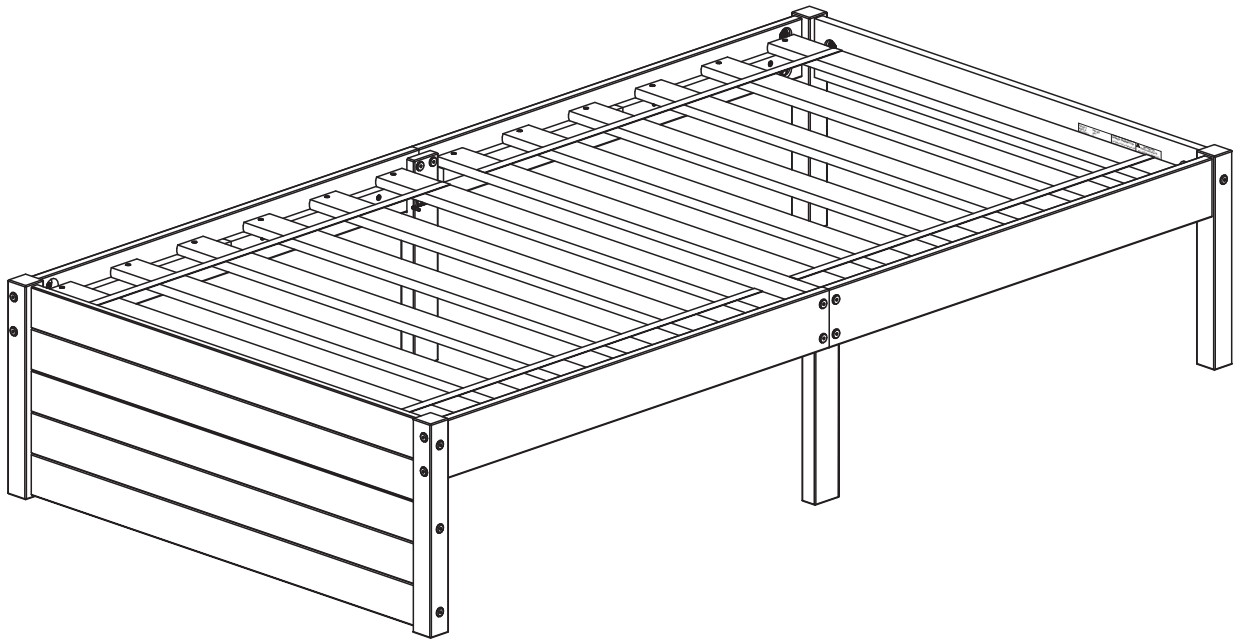


400 - Twin Bed

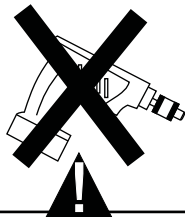
ASSEMBLY INSTRUCTIONS



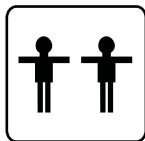
Thank you for purchasing this quality product. Be sure to check all packing material carefully for small parts which may have come loose inside the carton during shipment. Separate identify and count all parts and hardware.

Compare with the parts list to be sure all parts are present.

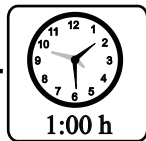
"DO NOT TIGHTEN SCREWS UNTIL COMPLETELY ASSEMBLED"



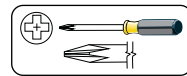
* Use of power tool to assemble this product will invalidate any claim and damage this product making unsafe !!!
* Please assemble on a clean soft surface to avoid damage.



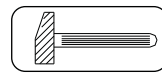
+



Tools Required



(Not included)



(Not included)

IMPORTANT:

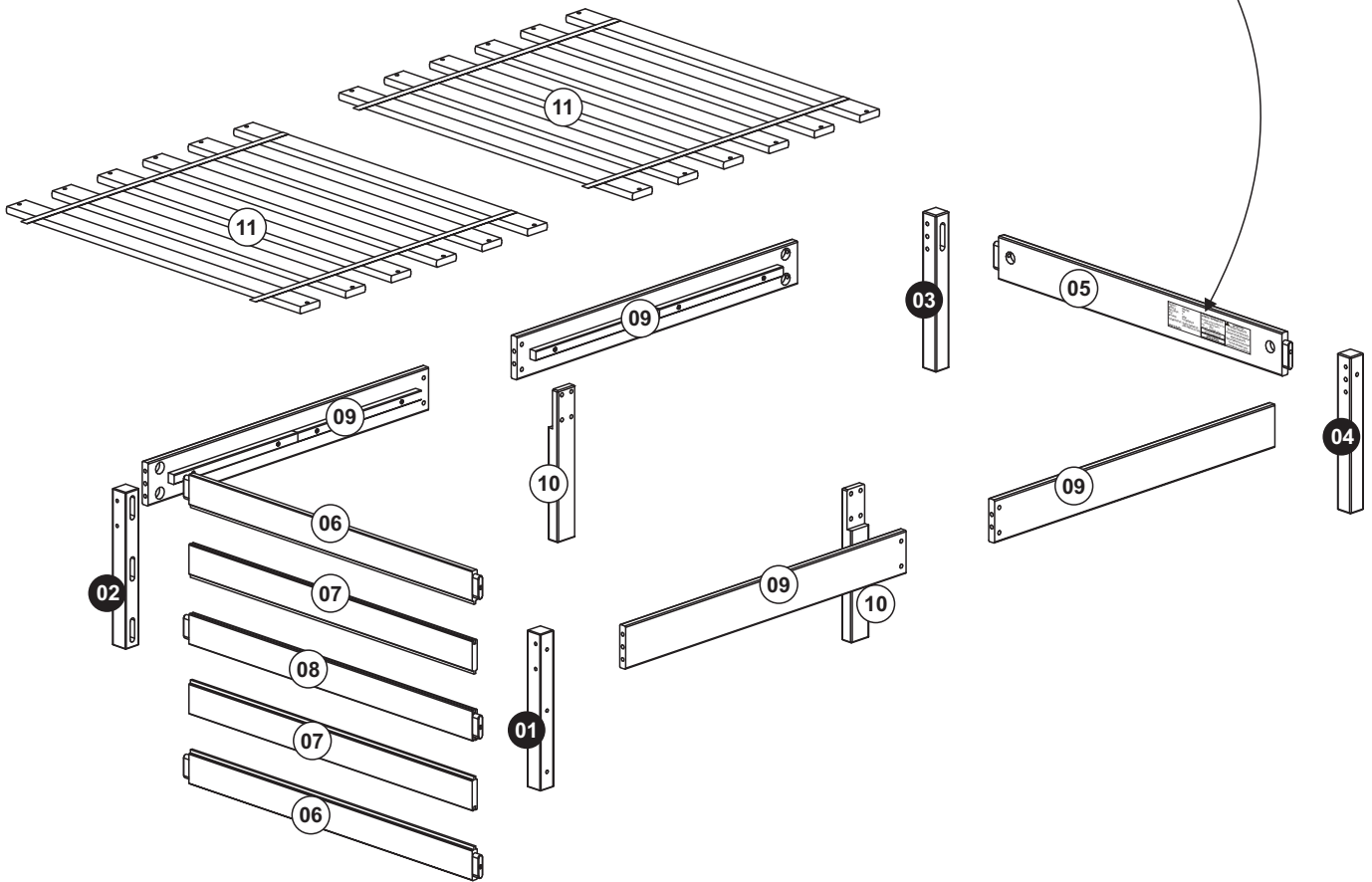
PLEASE READ INSTRUCTION BEFORE STARTING THE ASSEMBLY

Part list: 400 - Twin Bed



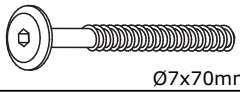
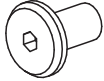
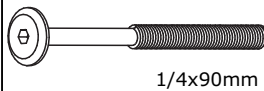
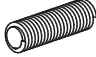

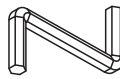


PRODUCT: TWIN BED MODEL #: 400 MFG CODE #: 0 PO #: 00000 MFG DATE: OCTOBER/2018 DISTRIBUTED BY: DONCO TRADING CO. FORT WORTH, TX 76140 MADE IN BRAZIL	DONCO TRADING CO. CALIFORNIA 651301 COMPLIANT FOR FORMALDEHYDE PHASE 2 PO #: 00000 MFG DATE: OCTOBER / 2018 FOR RESIDENTIAL USE ONLY NOT FOR COMMERCIAL USE MADE IN BRAZIL	WARNING California Proposition 65 This product can expose you to chemicals, including formaldehyde which is known to the State of California to cause cancer. For more information, go to www.P65Warnings.ca.gov/furniture
--	--	--

MANUFACTURER LABEL




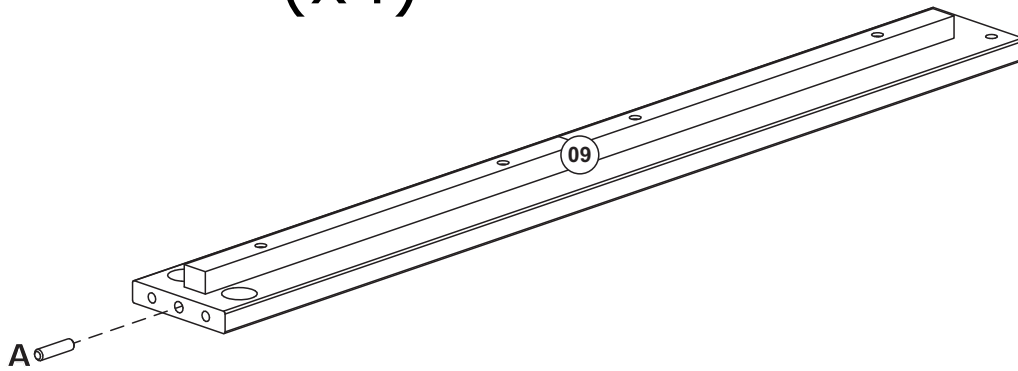
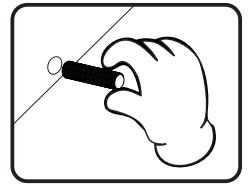
Identifying the Hardware-Identify the hardware using the illustrations below.

A	 Ø10x40mm	08	E	 1/4" HALF MOON	10
B	 Ø7x70mm	06	F	 1/4	16
C	 1/4x90mm	10	G		08
D	 Ø4x30mm	24	H		02

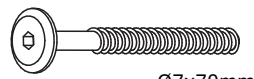

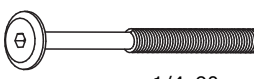
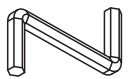
01

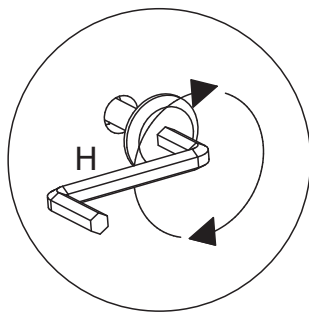
(x4)

A		04
<small>Ø10x40mm</small>		

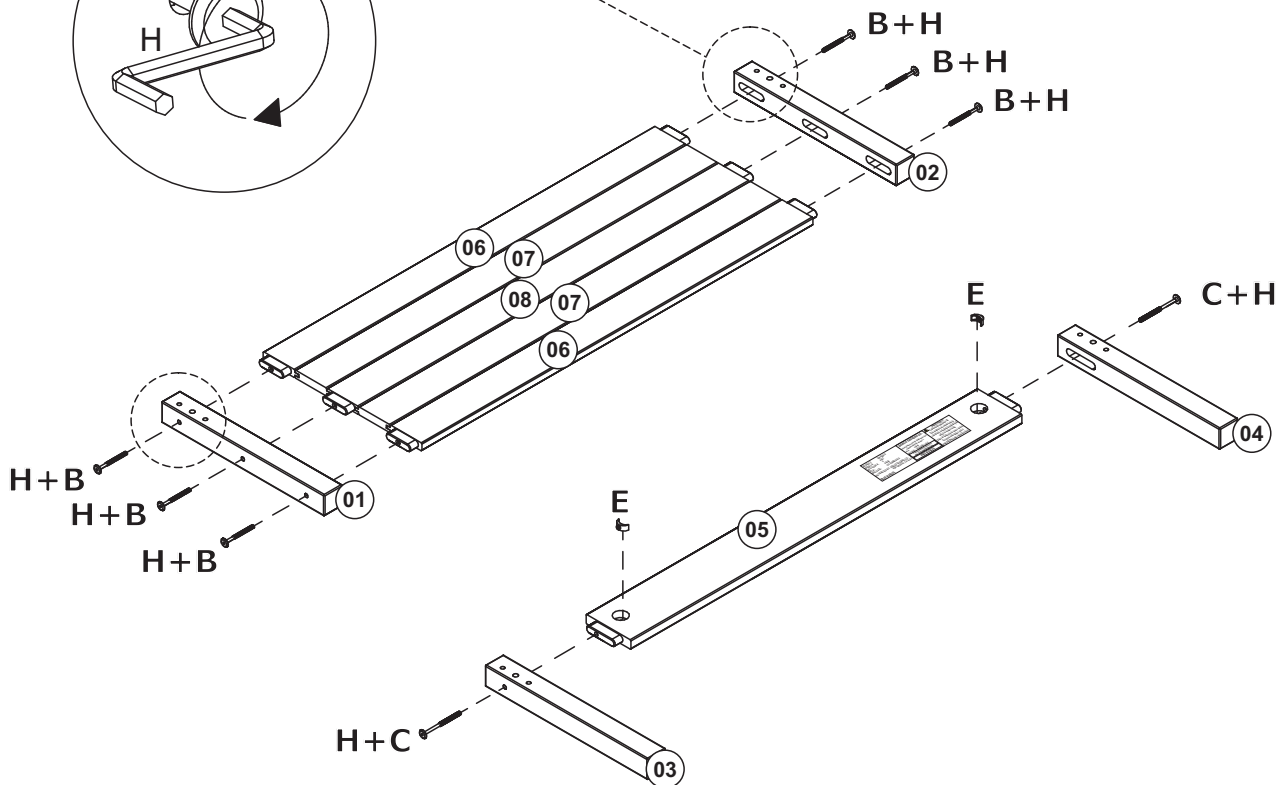
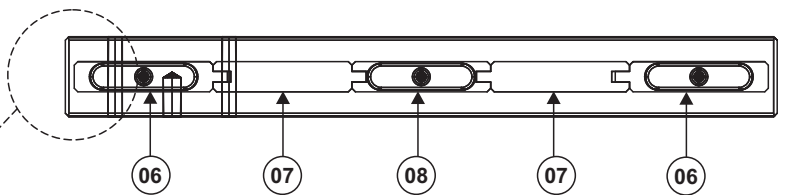


02

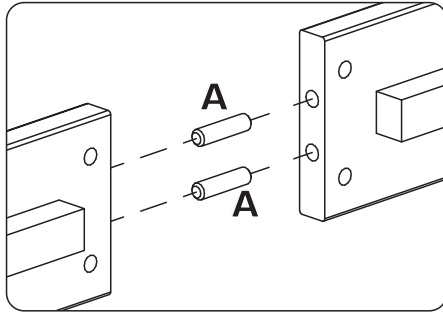
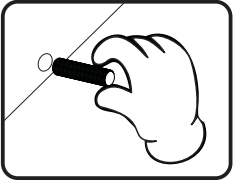
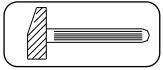
B		06	E		02
<small>Ø7x70mm</small>					
C		02	H		01
<small>1/4x90mm</small>					



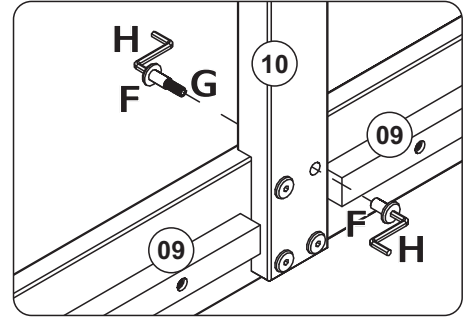
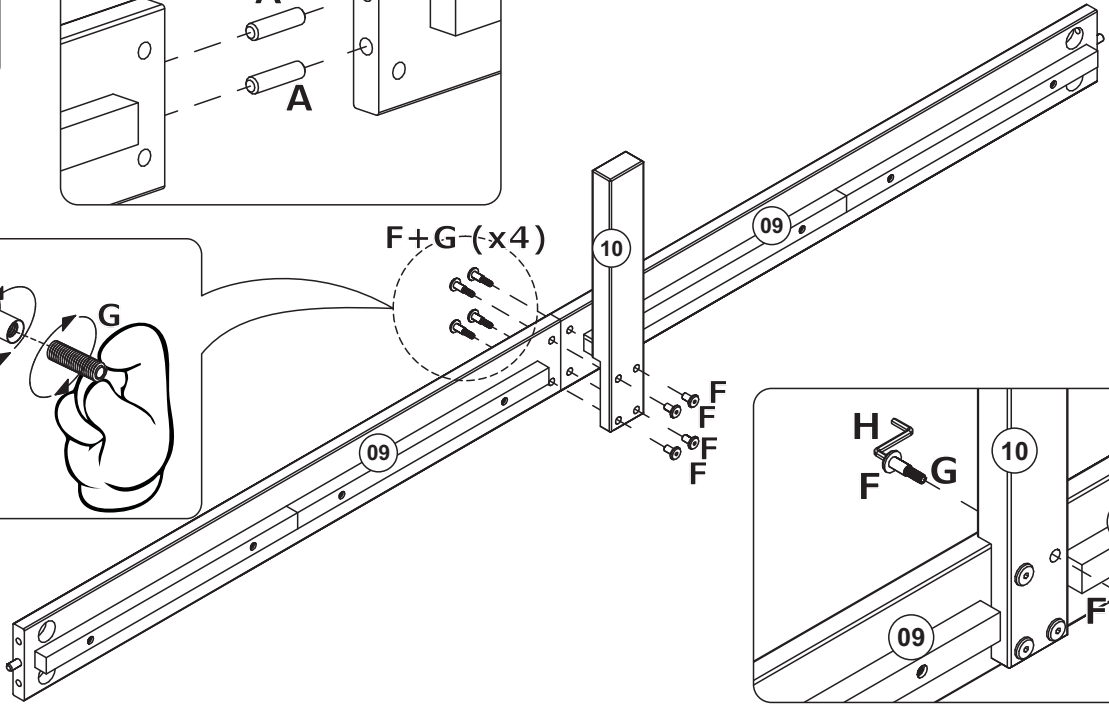
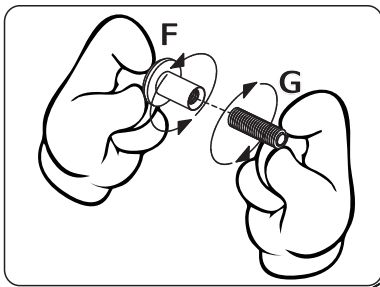
TOP


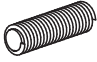
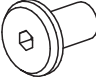
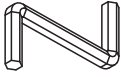


03

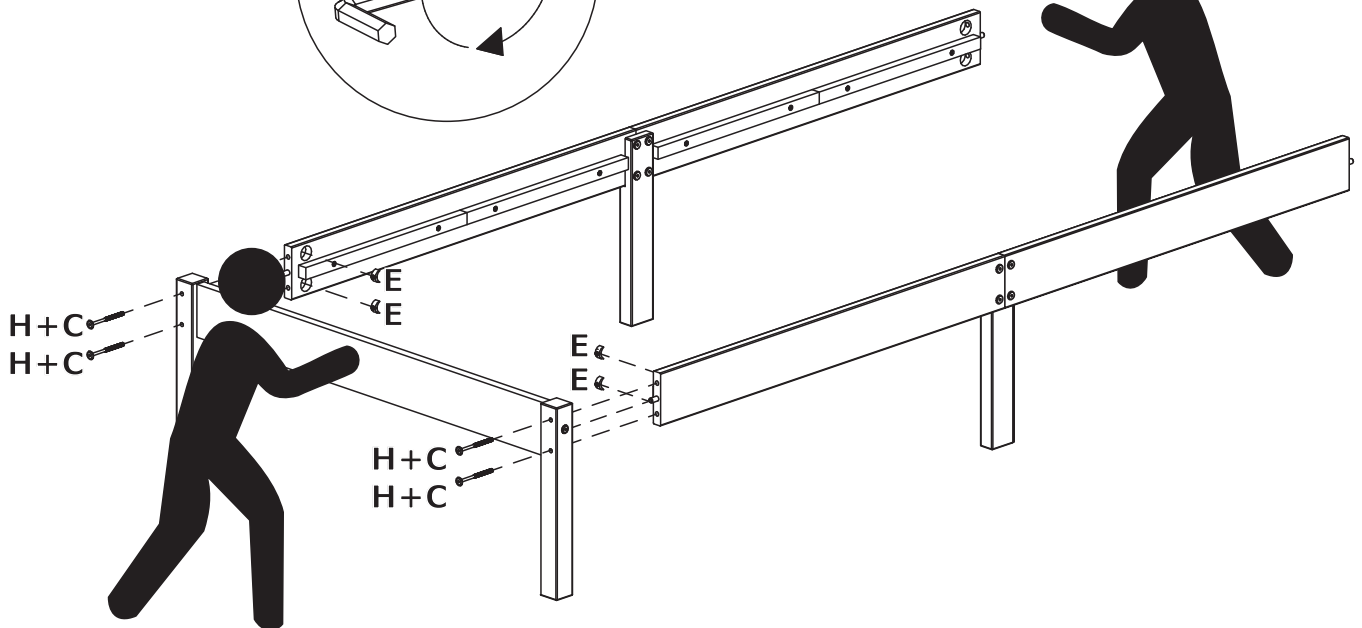
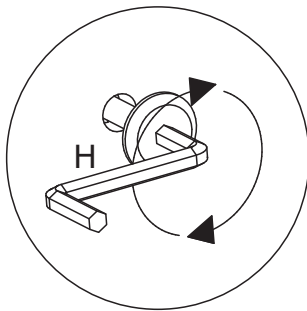


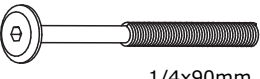

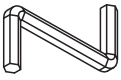
(x2)



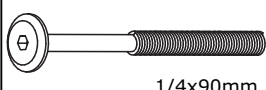

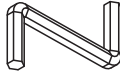
A	 Ø10x40mm	04	G		08
F	 1/4	16	H		02

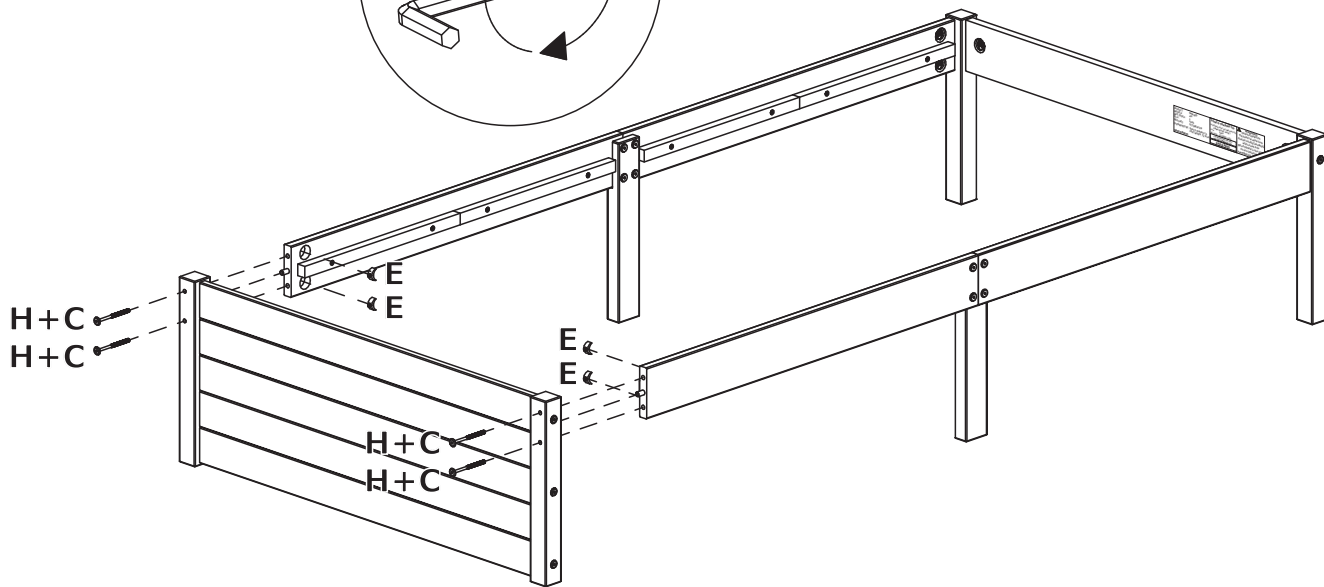
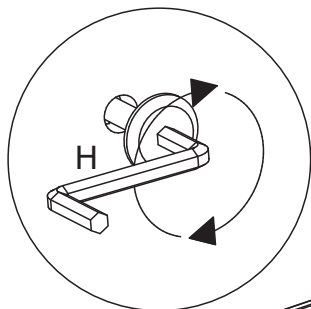
04




C	 1/4x90mm	04	E	 1/4" HALF MOON	04
			H		01

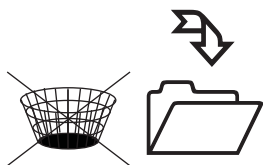
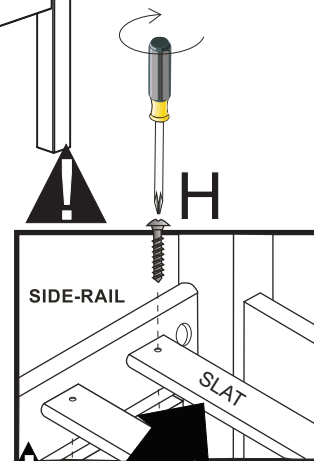
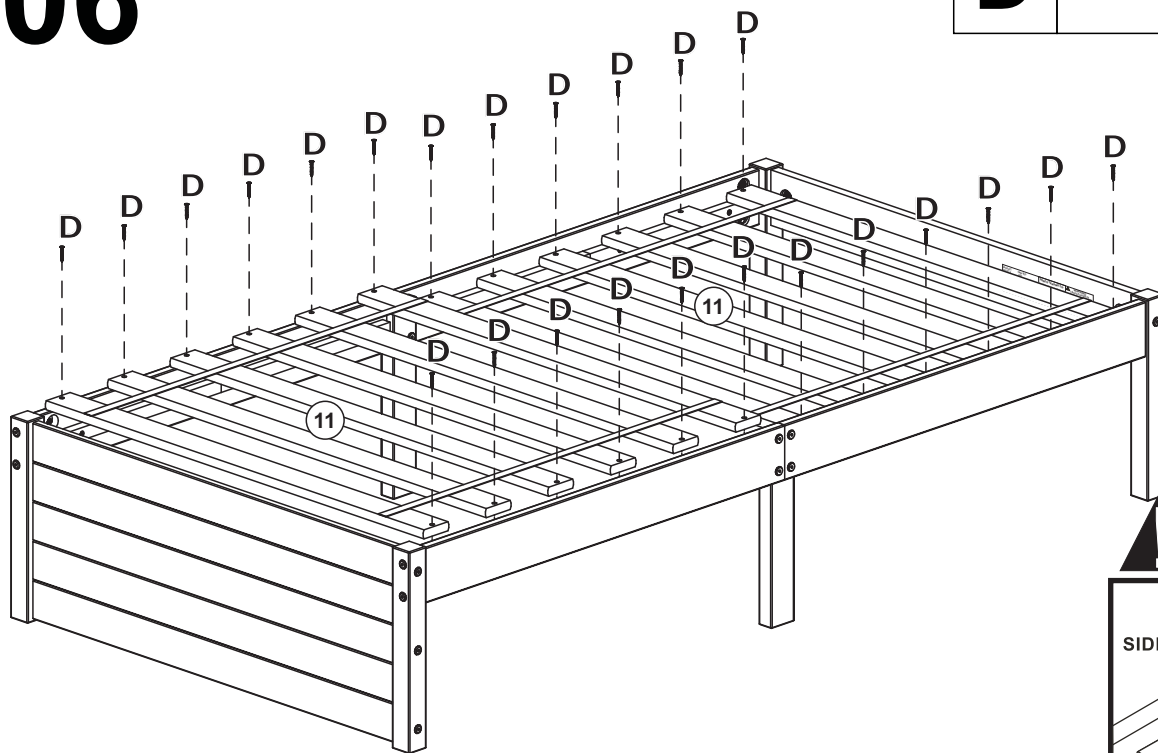
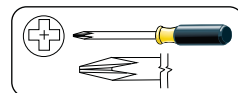
05

C	 1/4x90mm	04	E	 1/4" HALF MOON	04
			H		01



06

D	 Ø4x30mm	24
----------	--	-----------



INSTALL SLAT KIT WITH SPACER TAPE ON TOP(FACING UP)

The first slats must be fixed at 3" from each headboard end.