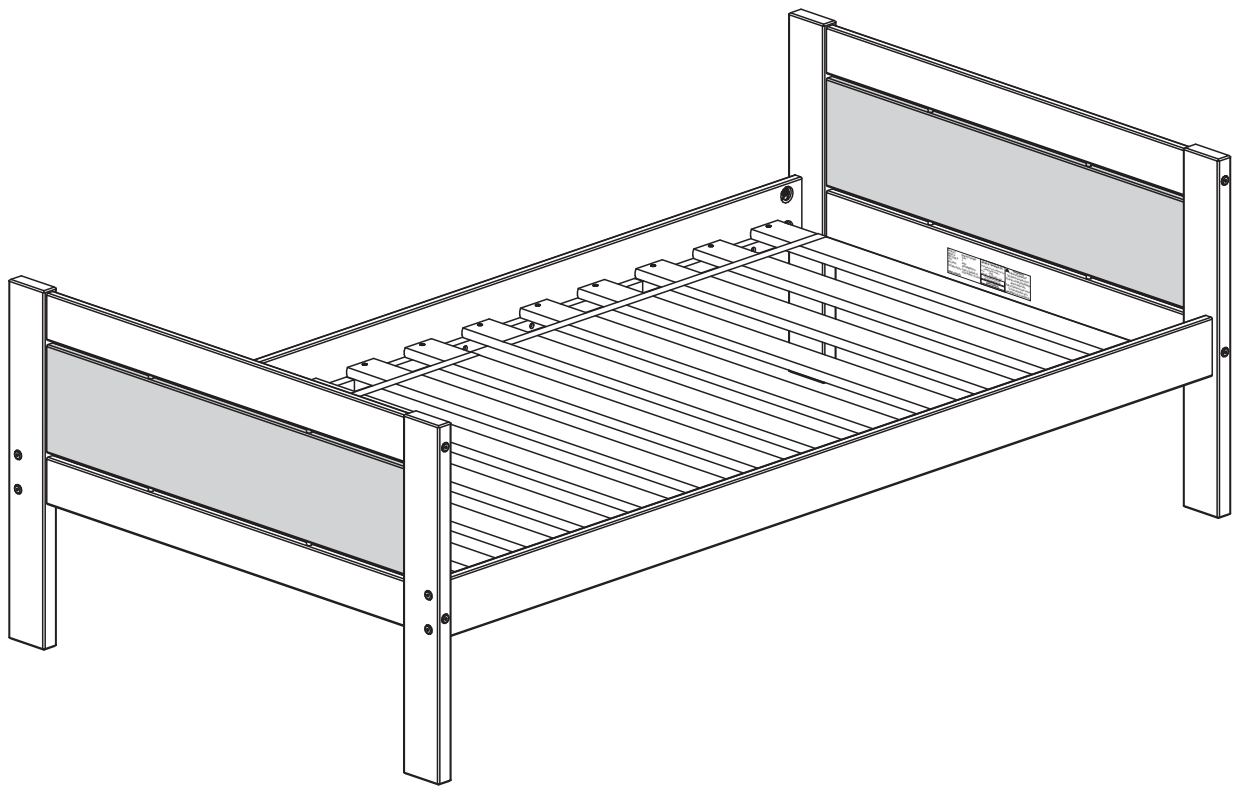


Fort Worth, Texas 76140

ASSEMBLY INSTRUCTIONS

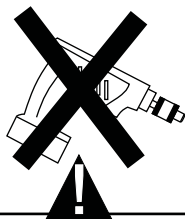
3010 - T/T Low Loft Bottom Bed



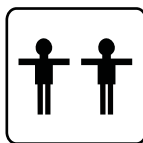
Thank you for purchasing this quality product. Be sure to check all packing material carefully for small parts which may have come loose inside the carton during shipment. Separate identify and count all parts and hardware.

Compare with the parts list to be sure all parts are present.

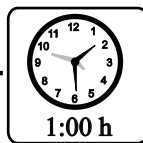
"DO NOT TIGHTEN SCREWS UNTIL COMPLETELY ASSEMBLED"



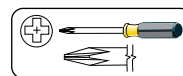
* Use of power tool to assemble this product will invalidate any claim and damage this product making unsafe !!!
* Please assemble on a clean soft surface to avoid damage.



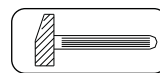
+



Tools Required



(Not included)



(Not included)

IMPORTANT:

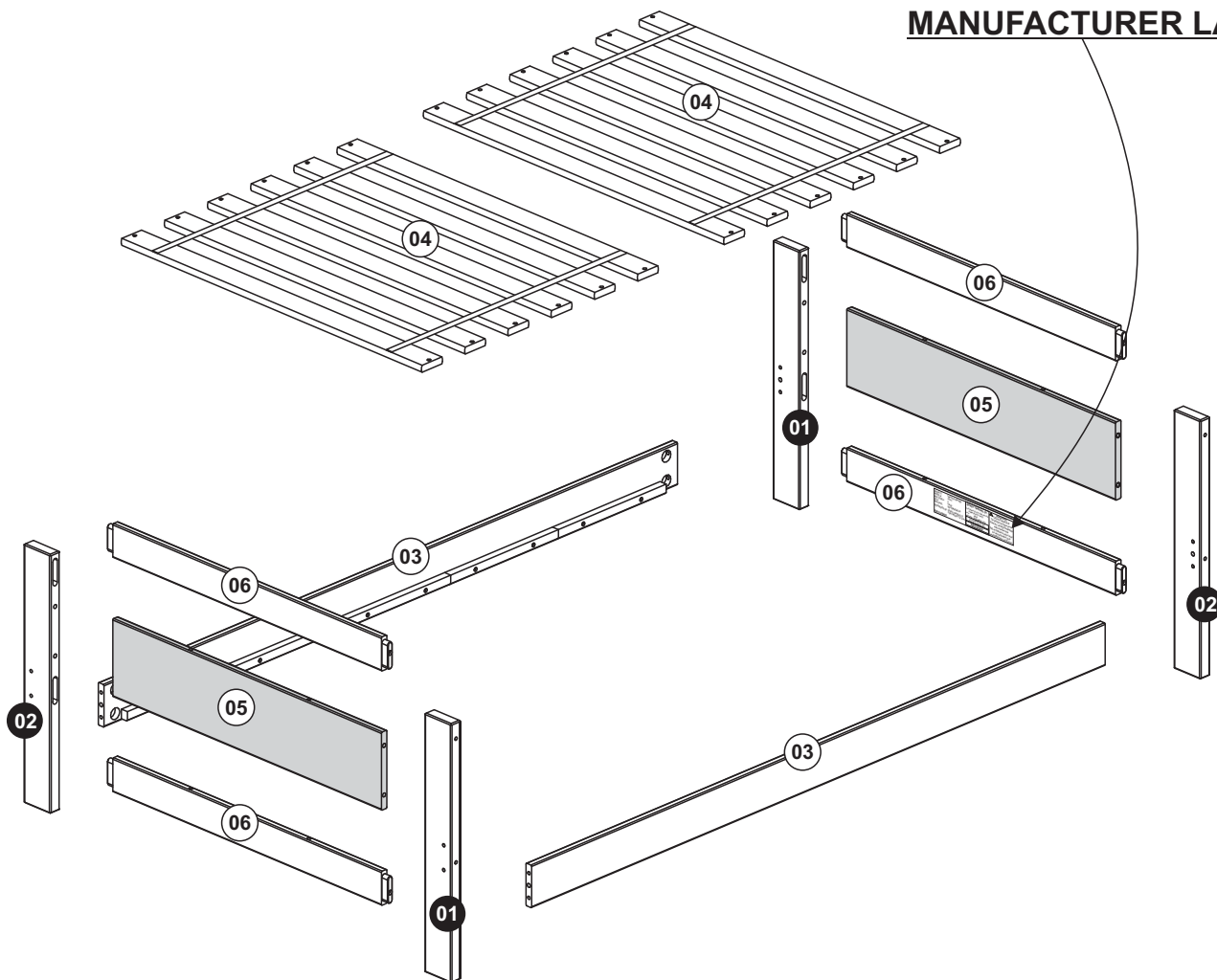
PLEASE READ INSTRUCTION BEFORE STARTING THE ASSEMBLY

Part list: 3010 - T/T Low Loft Bottom Bed


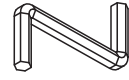


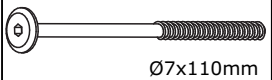

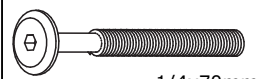


PRODUCT: T/T LOW LOFT BOTTOM BED	MODEL #: 3010	PO #: 00000	MFG DATE: SEPTEMBER 2018	DISTRIBUTED BY: DONCO TRADING CO. FORT WORTH, TX 76140	MADE IN BRAZIL	DONCO TRADING CO.	CALIFORNIA 65 COMPLIANT FOR FORMALDEHYDE PHASE 2	PO #: 00000	MFG DATE: SEPTEMBER / 2018	FOR RESIDENTIAL USE ONLY NOT FOR COMMERCIAL USE	MADE IN BRAZIL	WARNING	California Proposition 65	This product can expose you to chemicals, including formaldehyde which is known to the State of California to cause cancer. For more information, go to www.P65Warnings.ca.gov/furniture
----------------------------------	---------------	-------------	--------------------------	--	----------------	--------------------------	--	-------------	----------------------------	---	----------------	----------------	---------------------------	--

MANUFACTURER LABEL



Identifying the Hardware-Identify the hardware using the illustrations below.

A	 Ø10x40mm	12	E	 4mm	01
B	 White Connection	08	F	 Ø4x30mm	24
C	 Ø7x110mm	08	G		08
D	 1/4x70mm	08			

01

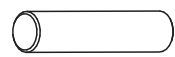
A



Ø10x40mm

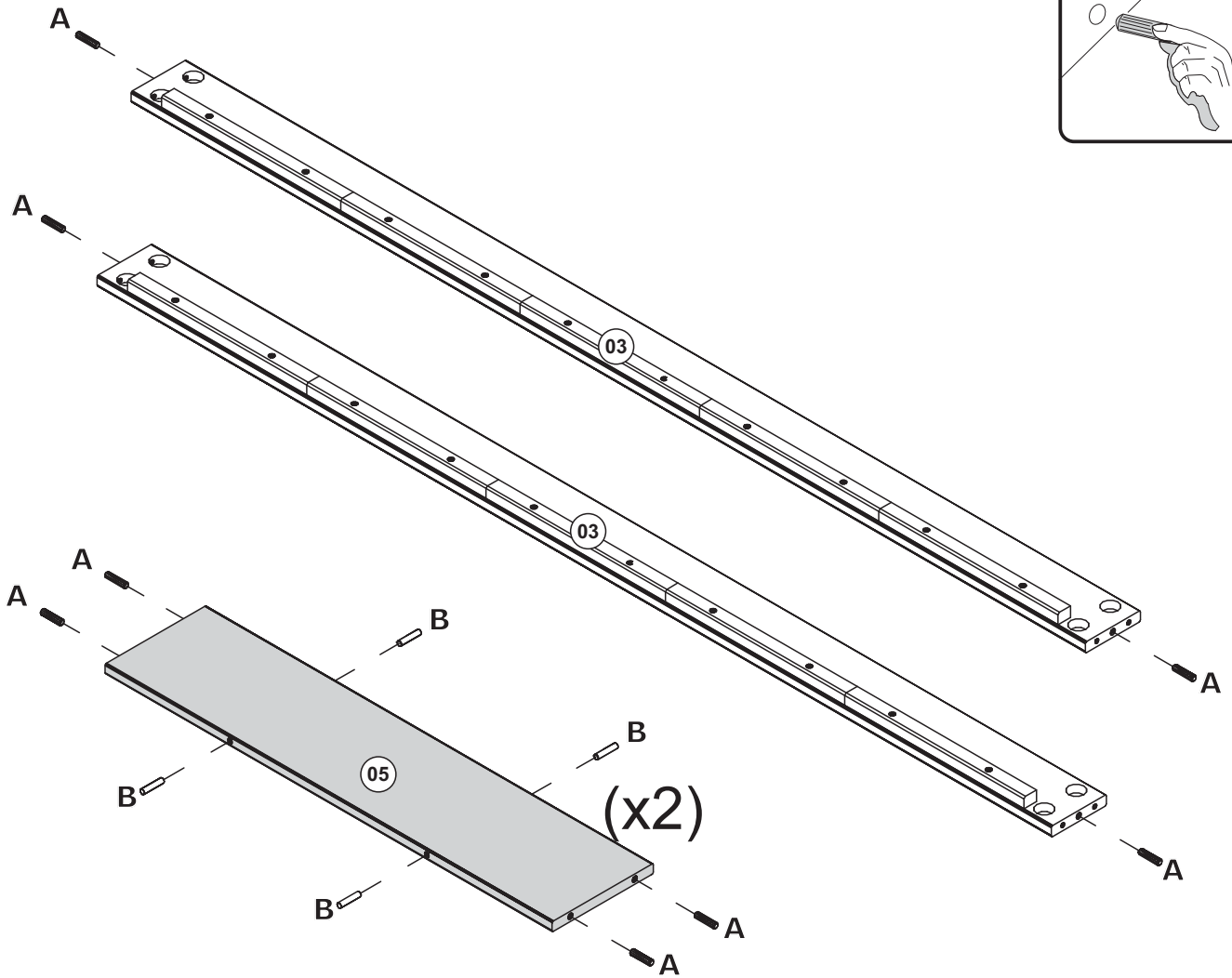
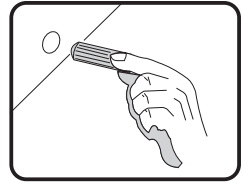
12

B

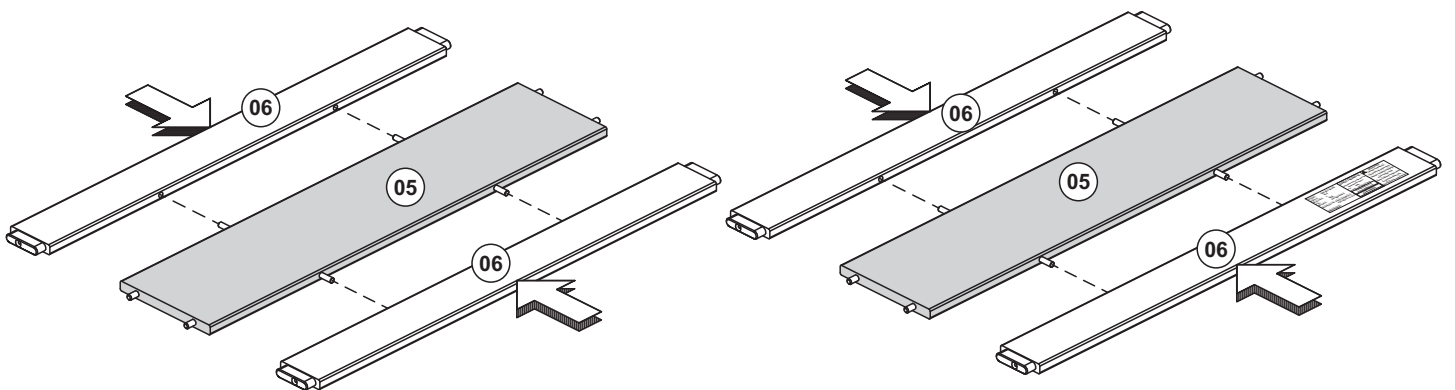


White Connection

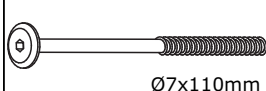
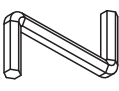
08

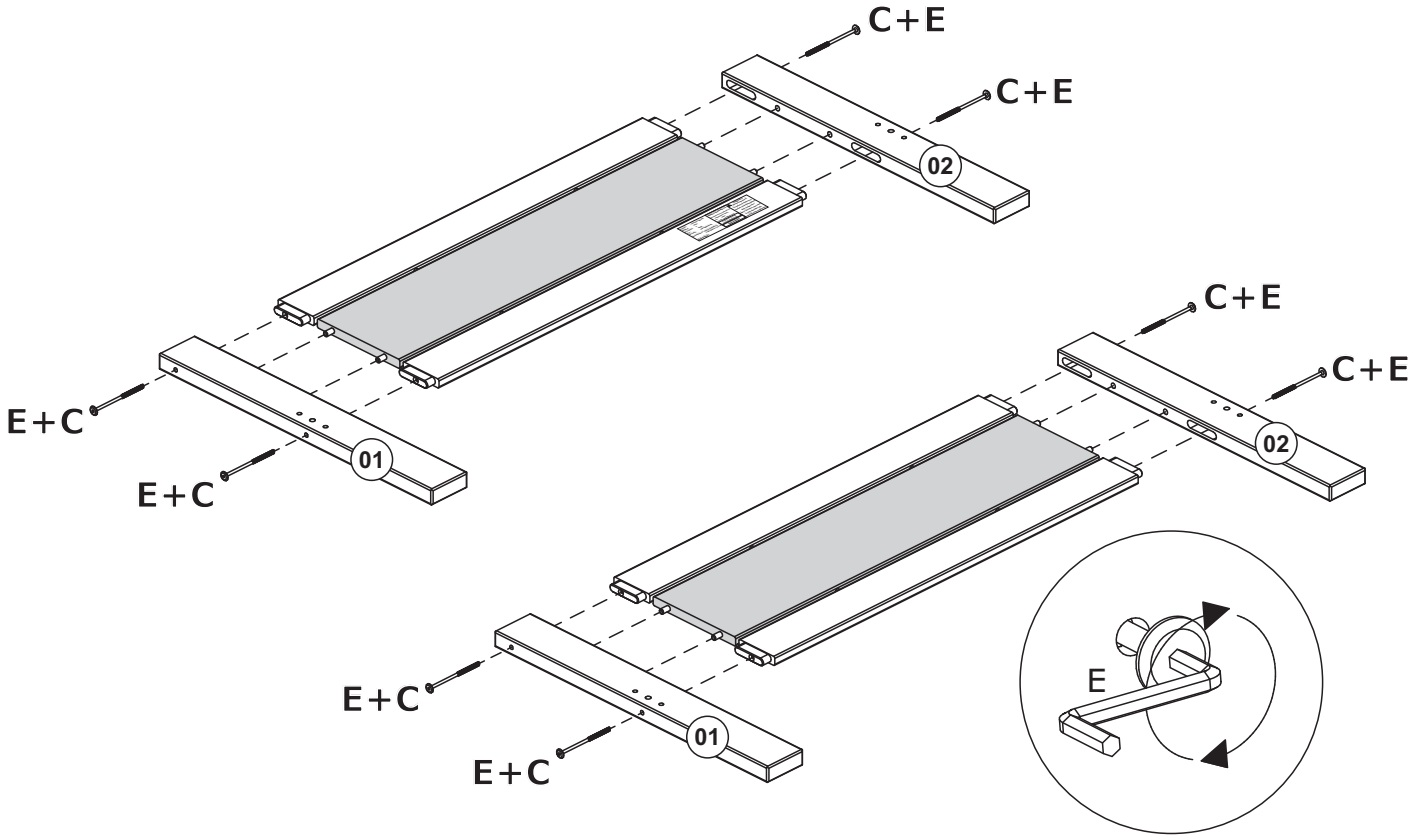


02

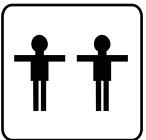


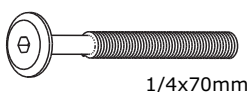

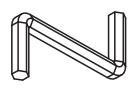
03

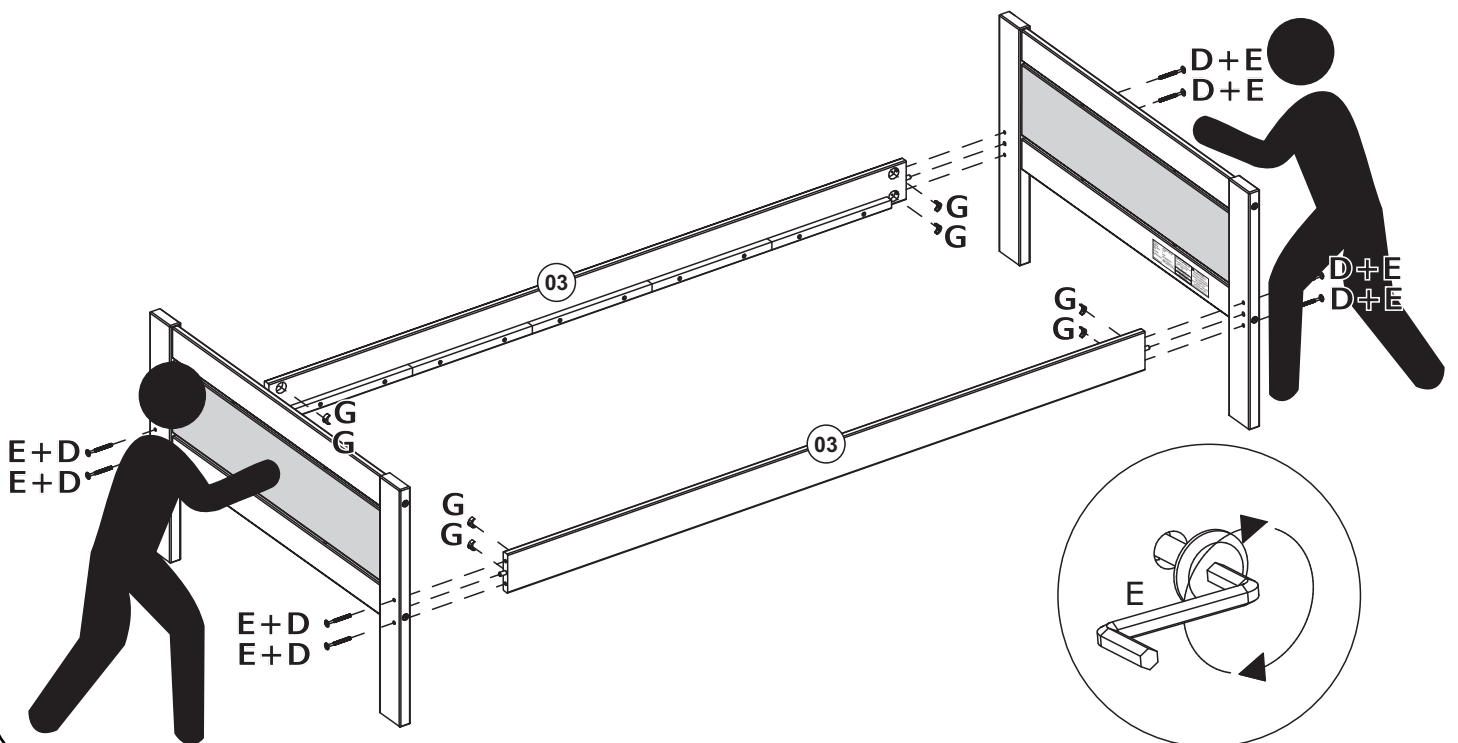
C	 Ø7x110mm	08	E	 4mm	01
----------	--	-----------	----------	---	-----------



04



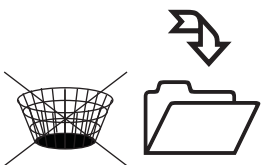
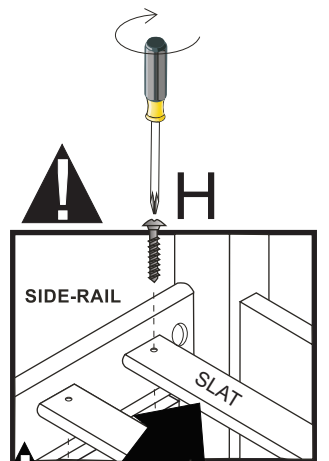
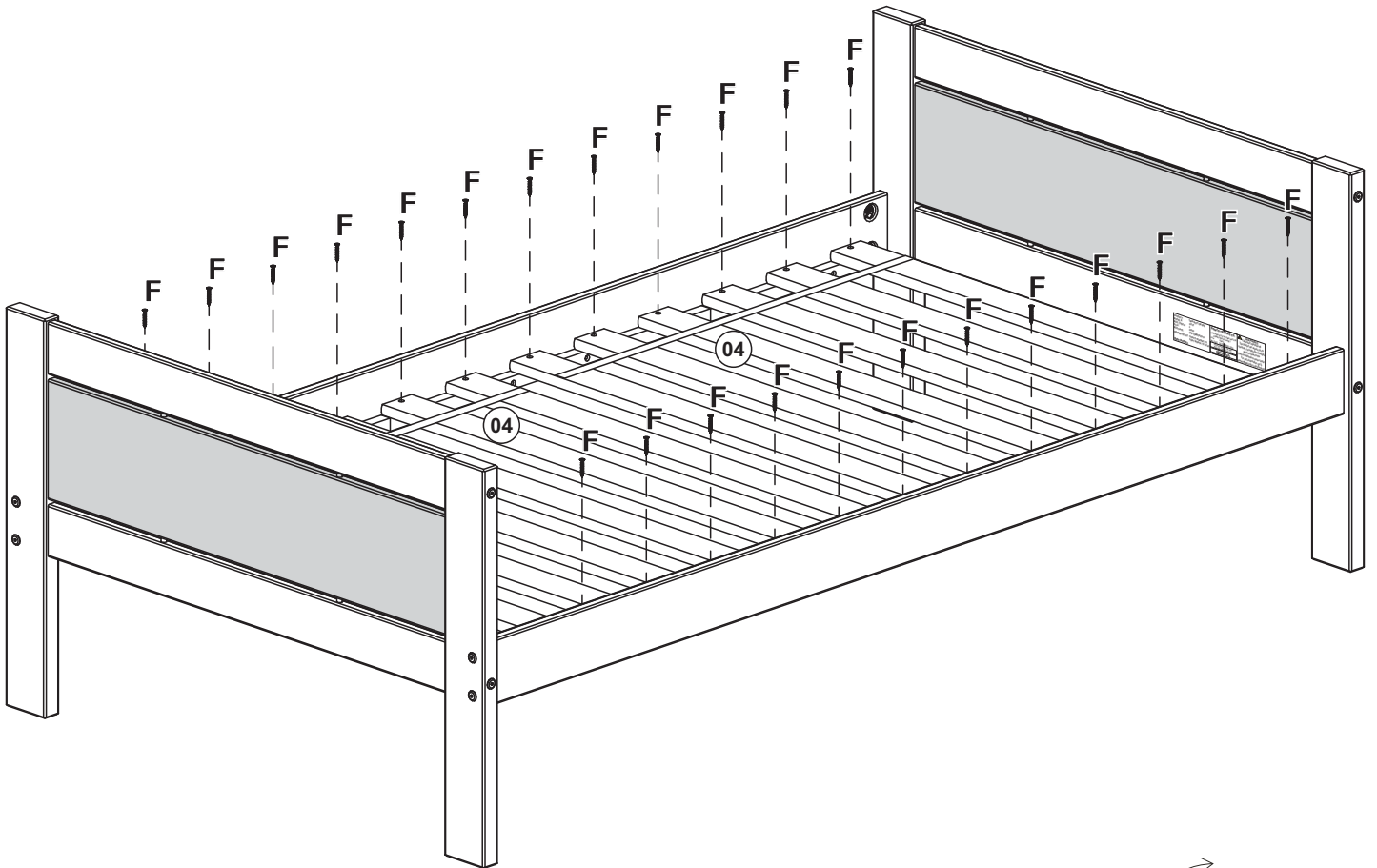
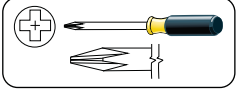
D	 1/4x70mm	08	G		08
E	 4mm	01			



05

F

Ø4x30mm

24

INSTALL SLAT KIT WITH SPACER TAPE ON TOP(FACING UP)

The first slats must be fixed at 3" from each headboard end.