

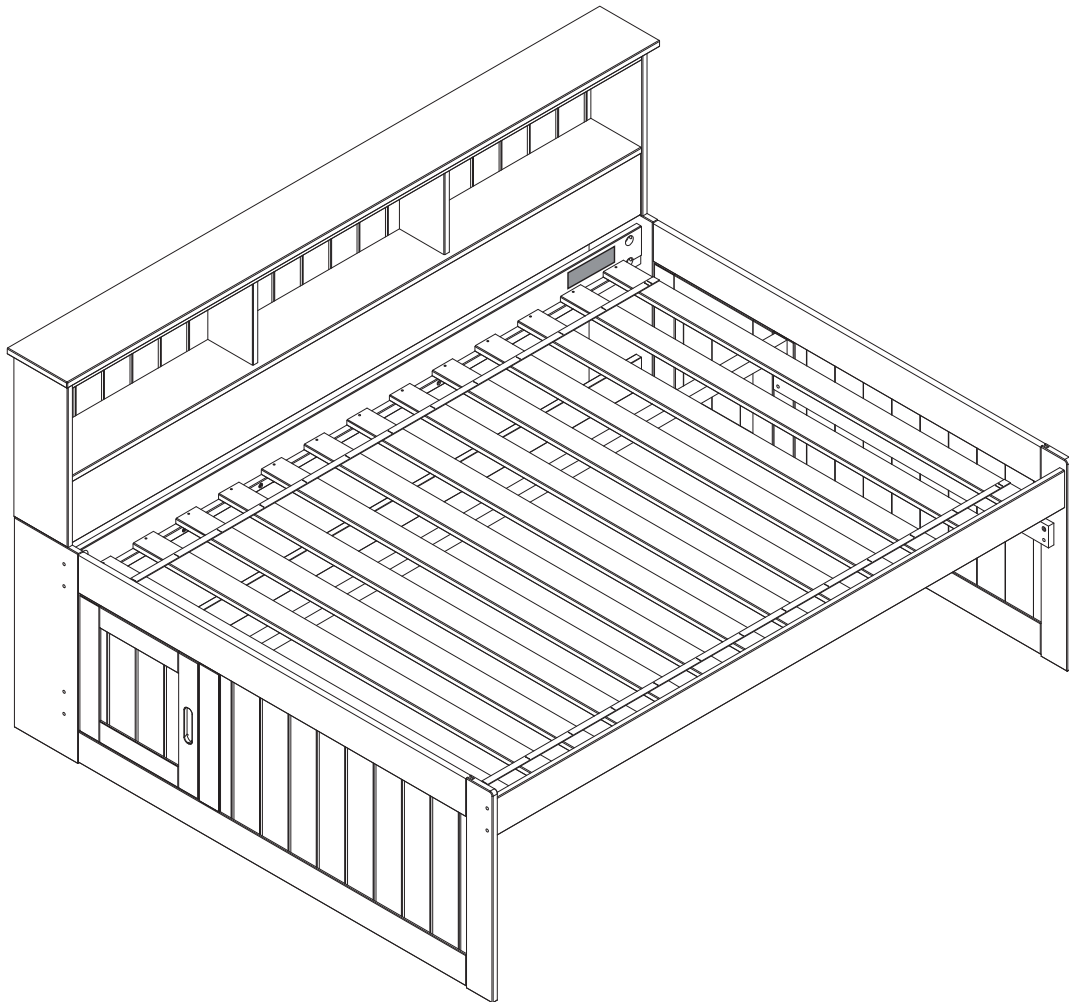
DONCO

kids

Fort Worth, Texas 76140

ASSEMBLY INSTRUCTIONS

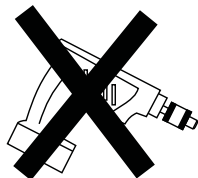
1223 - FULL DAY BED BOOKCASE BED



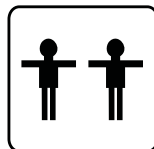
Thank you for purchasing this quality product. Be sure to check all packing material carefully for small parts which may have come loose inside the carton during shipment. Separate, identify and count all parts and hardware.

Compare with the parts list to be sure all parts are present.

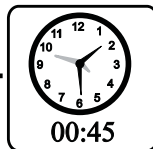
"DO NOT TIGHTEN SCREWS UNTIL COMPLETELY ASSEMBLED"



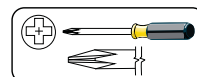
* Use of power tool to assemble this product will invalidate any claim and damage this product making unsafe !!!
* Please assemble on a clean soft surface to avoid damage.



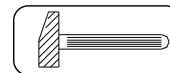
+



Tools Required



(Not included)

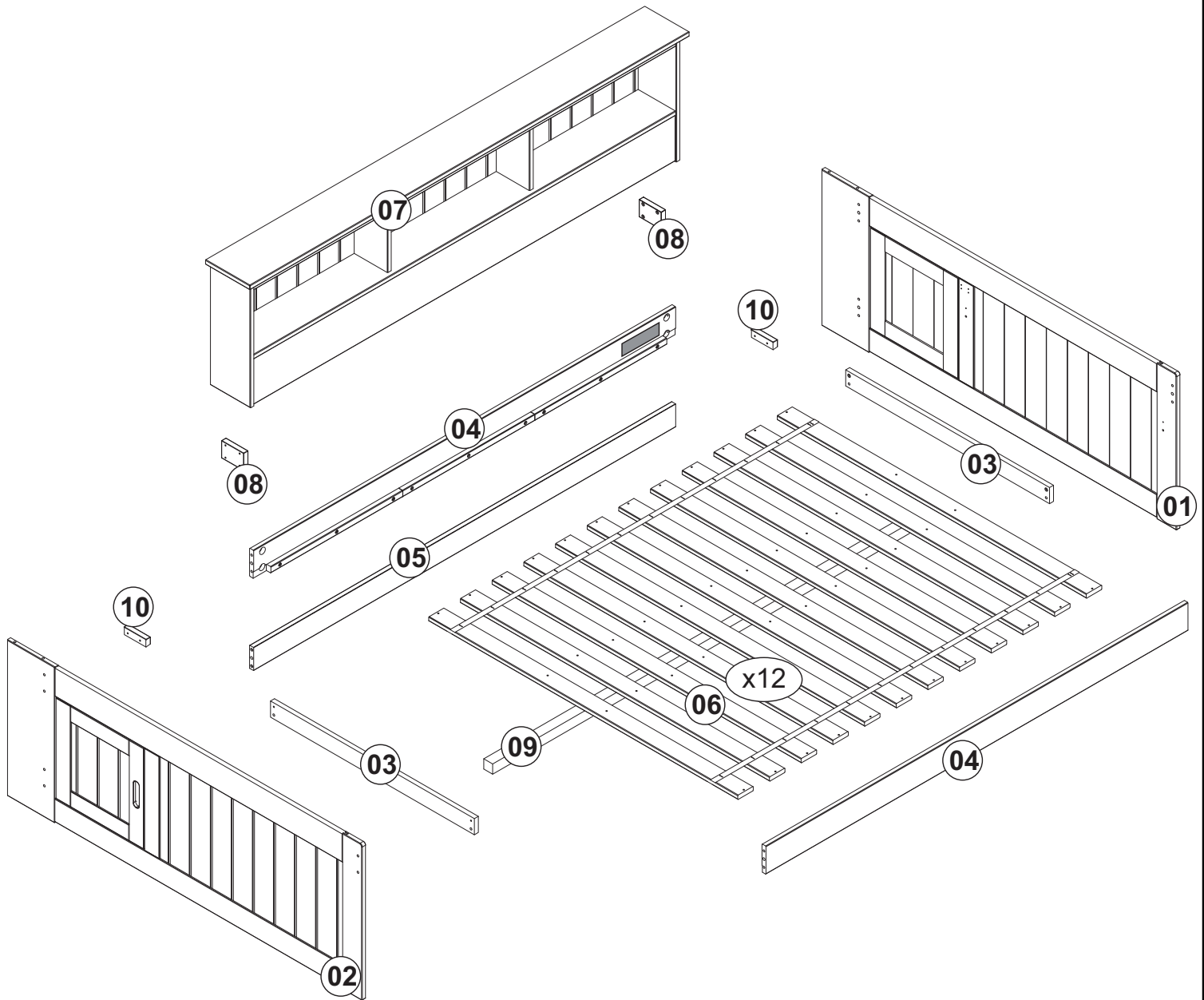


(Not included)

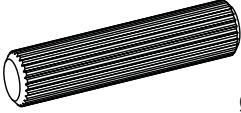
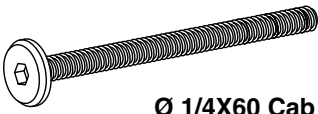
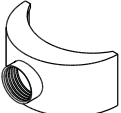
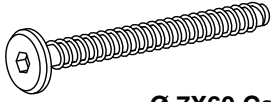
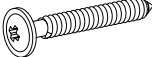
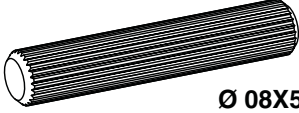

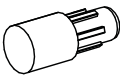
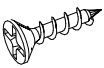
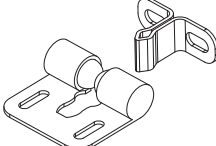
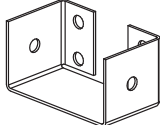
IMPORTANT:

PLEASE READ INSTRUCTION BEFORE STARTING THE ASSEMBLY

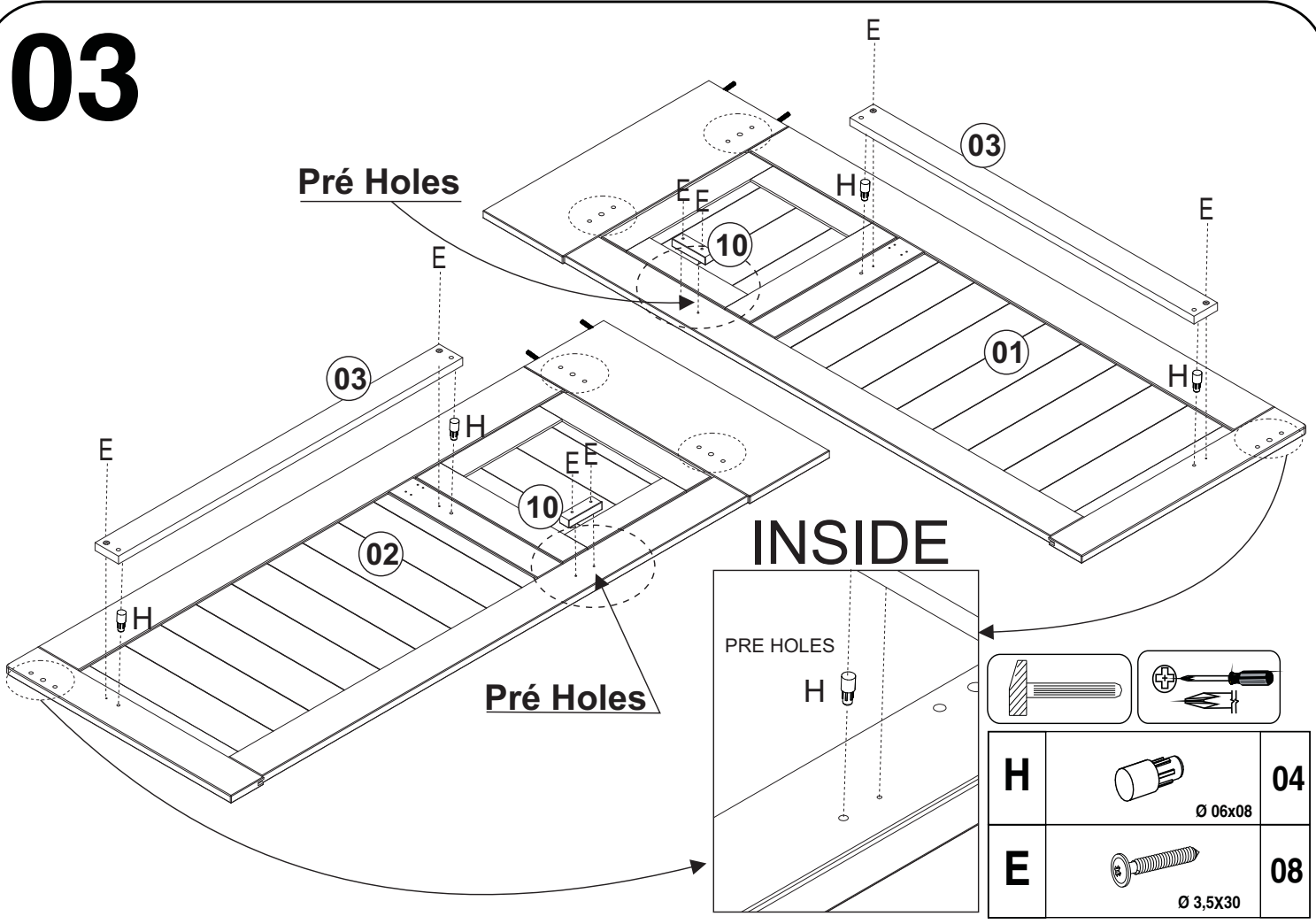
Part List- 1223 - FULL DAY BED BOOKCASE BED



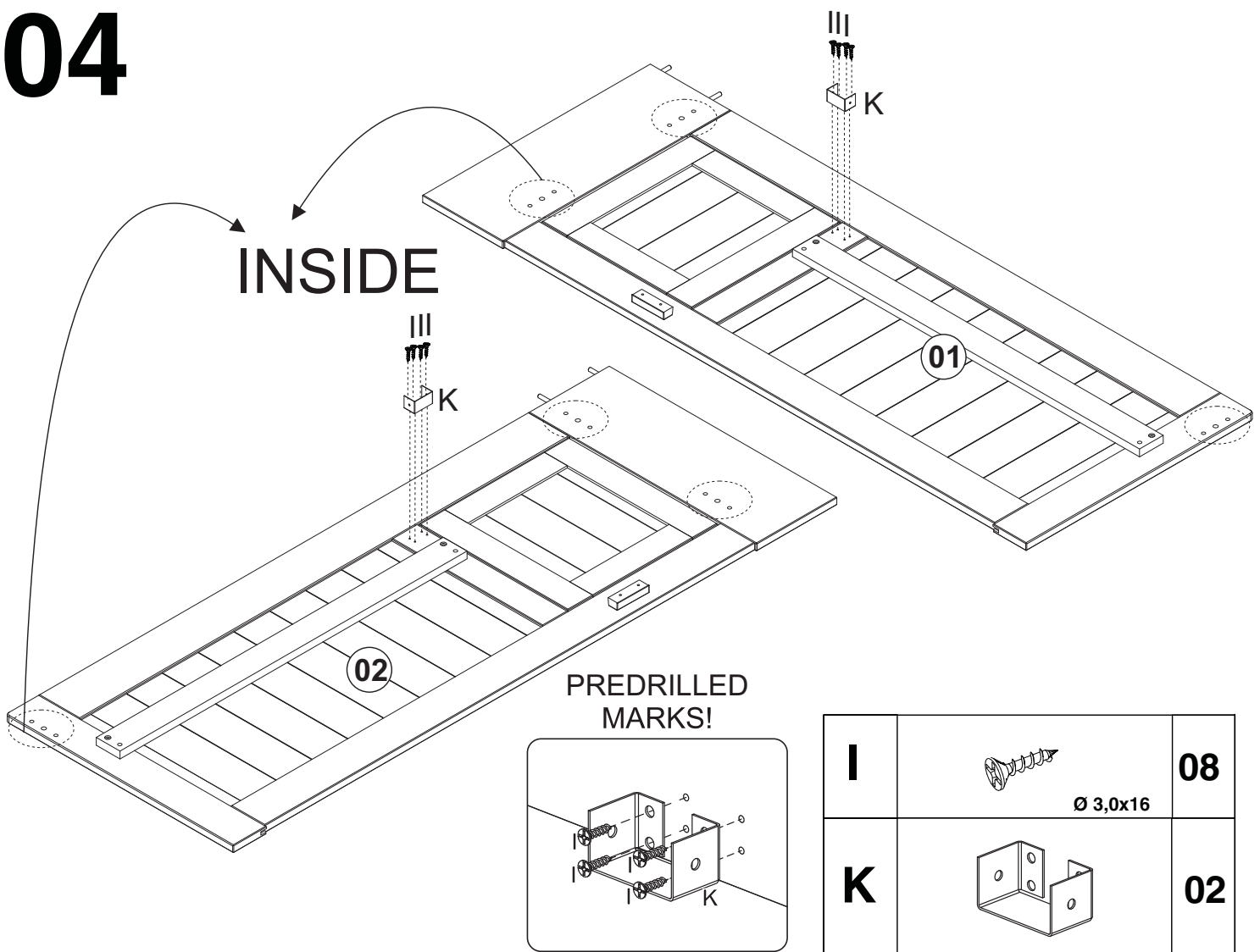
Identifying the Hardware-Identify the hardware using the illustrations below.

A	 Ø 10x40	06
B	 Ø 1/4X60 Cab 17	08
C		08
D	 Ø 7X60 Cab 17	04
E	 Ø 3,5X30	44
F	 Ø 08X50	04
G		01
H	 Ø 06x08	04
I	 Ø 3,0x16	20
J		02
K		02

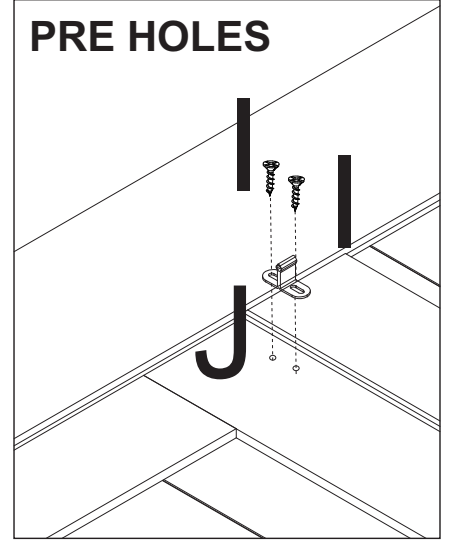
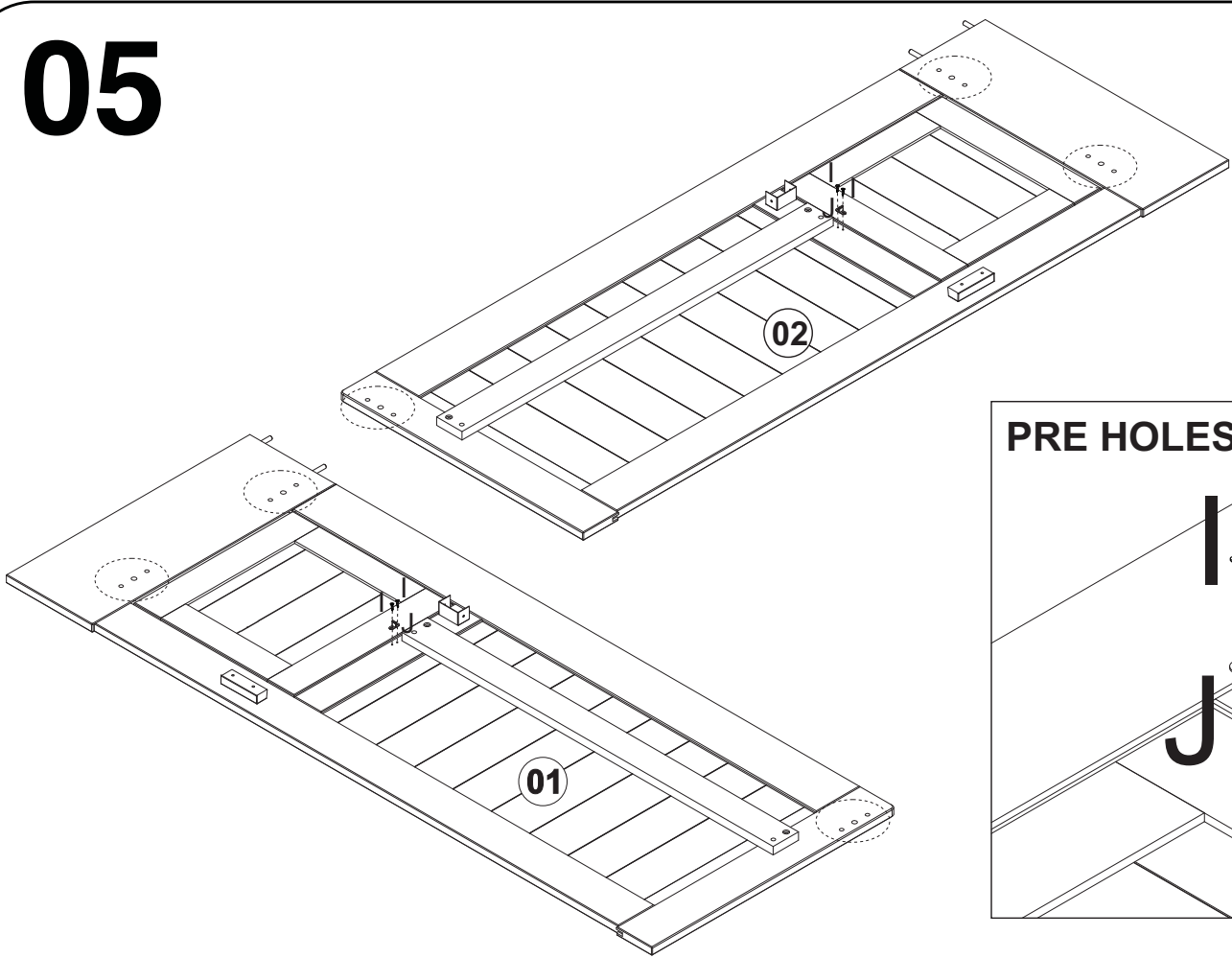
03



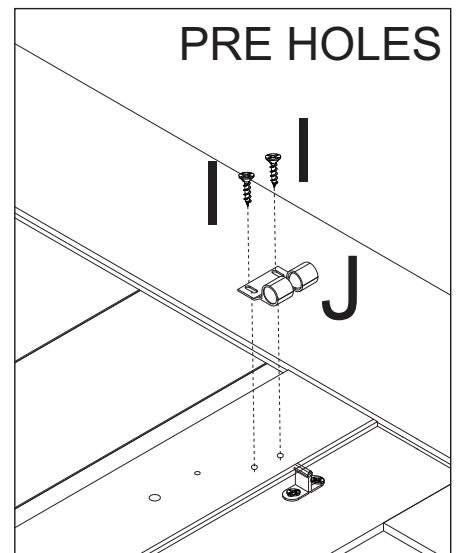
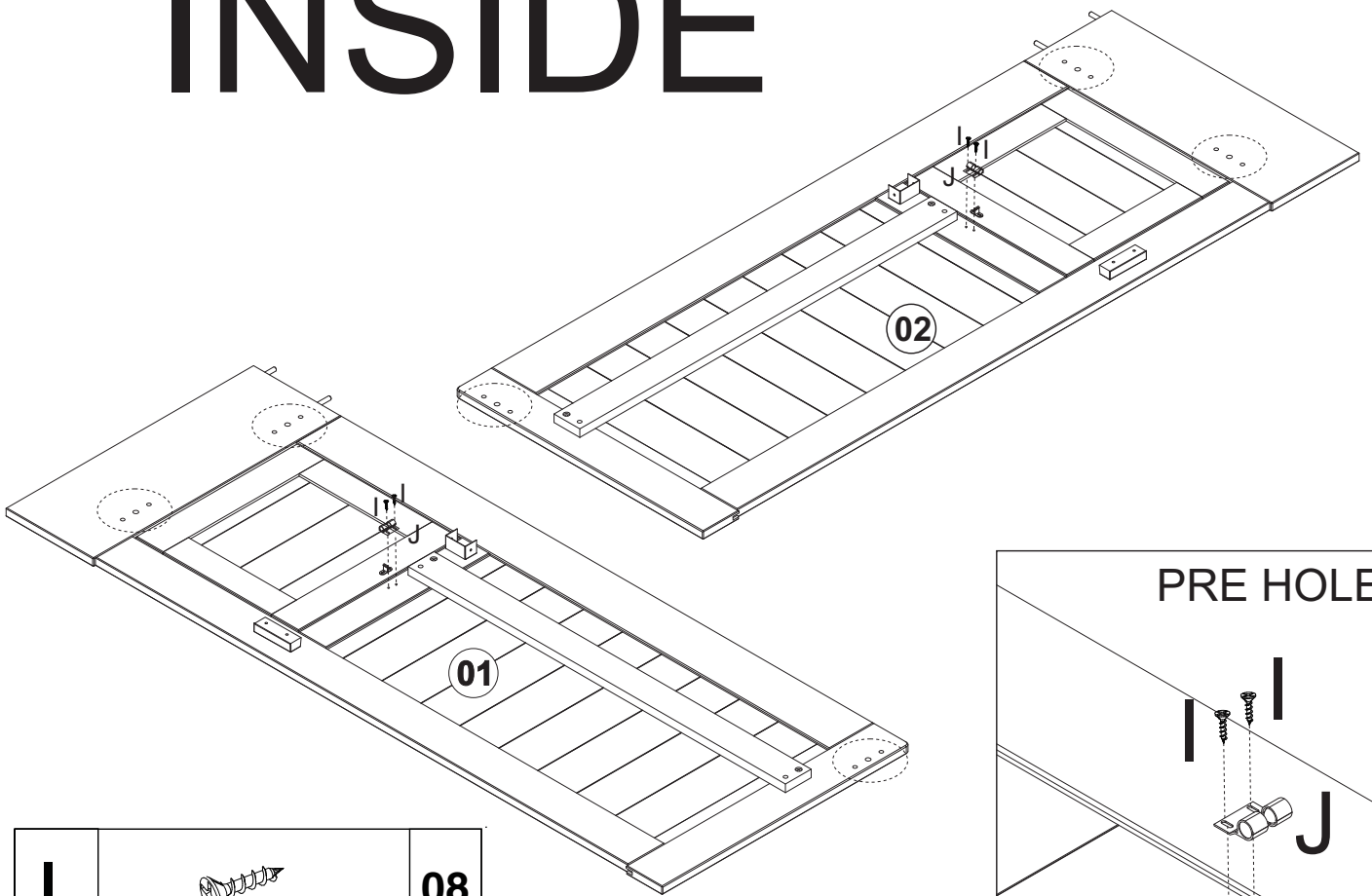
04

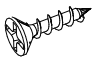
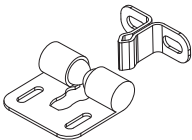


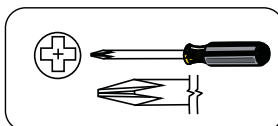
05



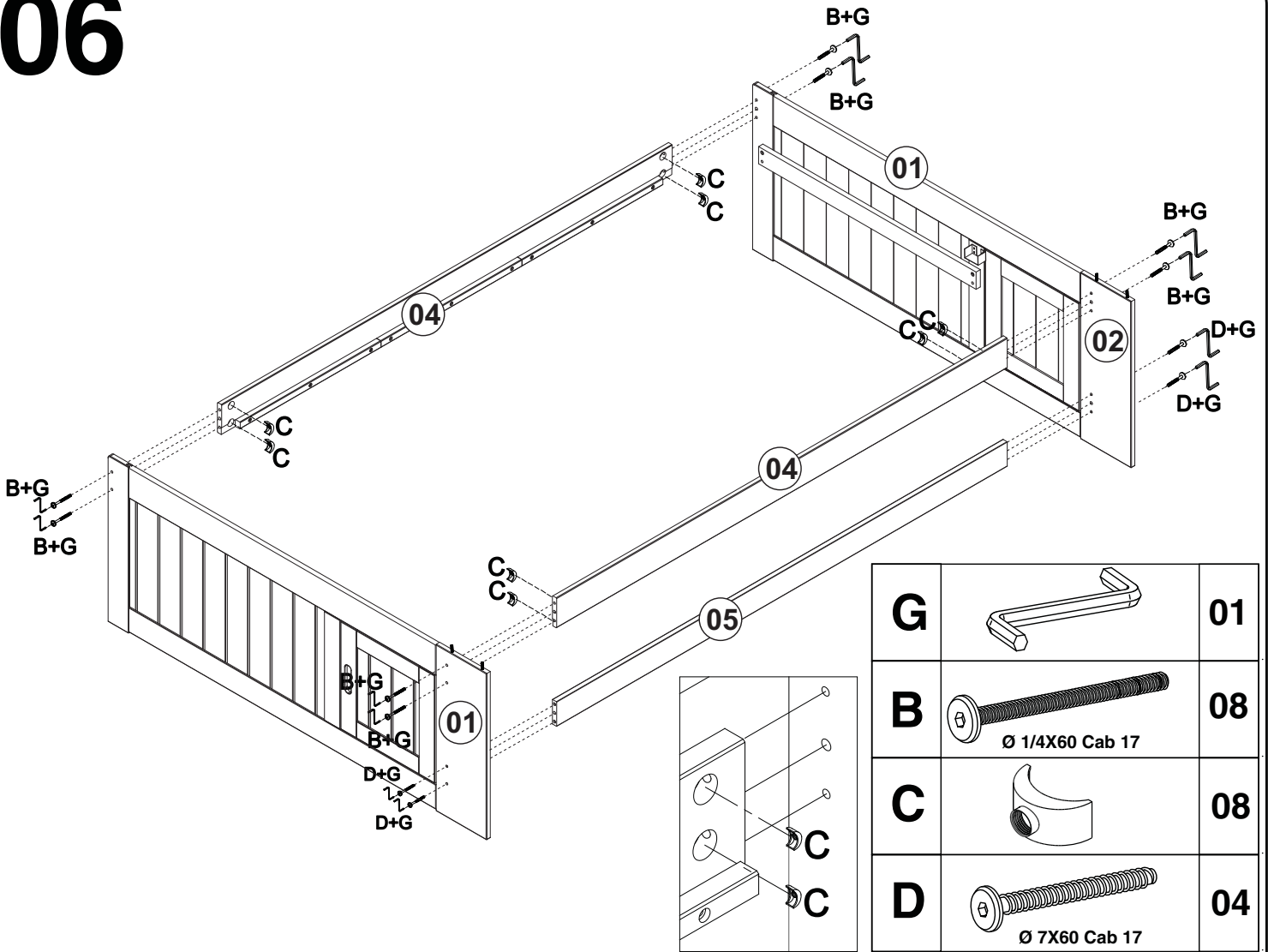
INSIDE



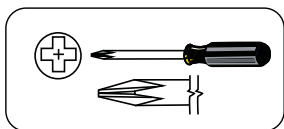
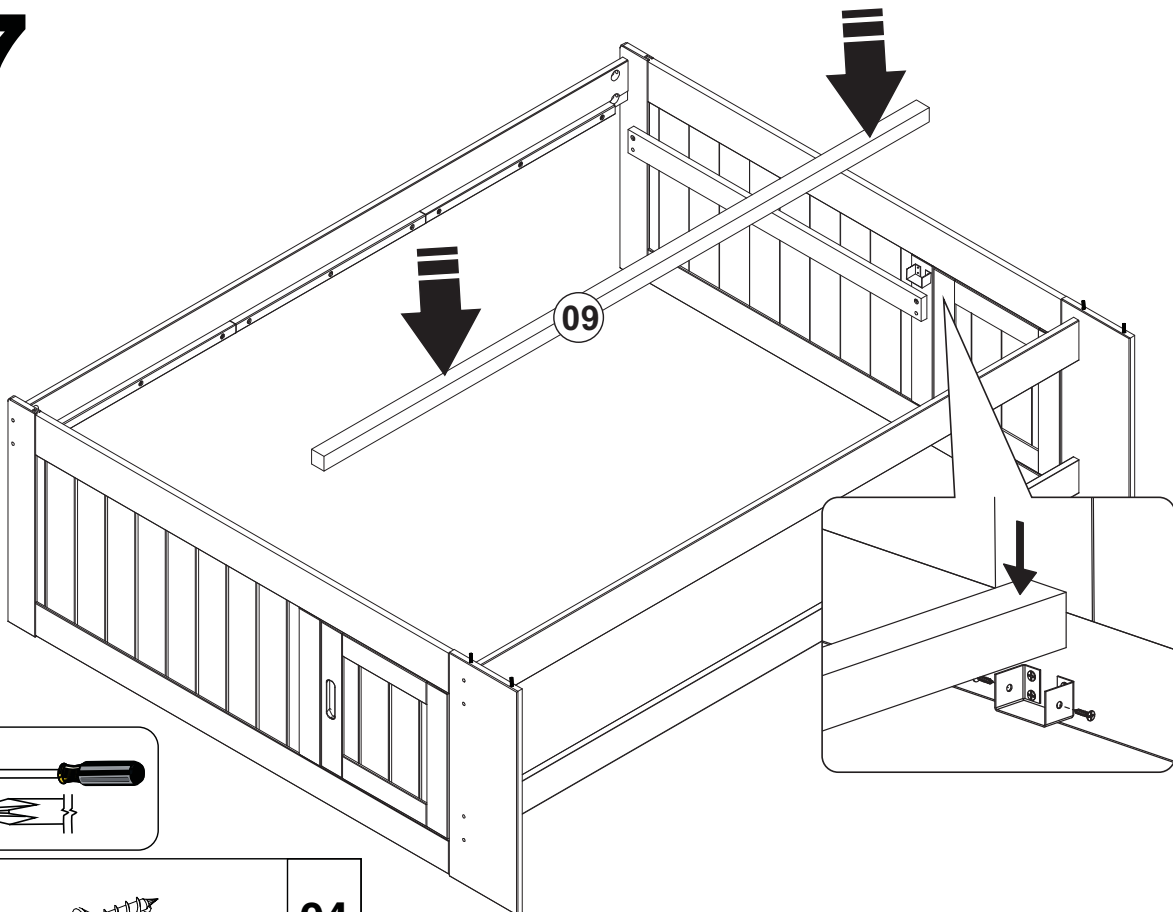
I	 Ø 3,0x16	08
J		02



06

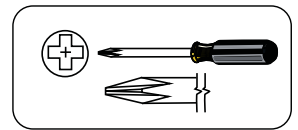
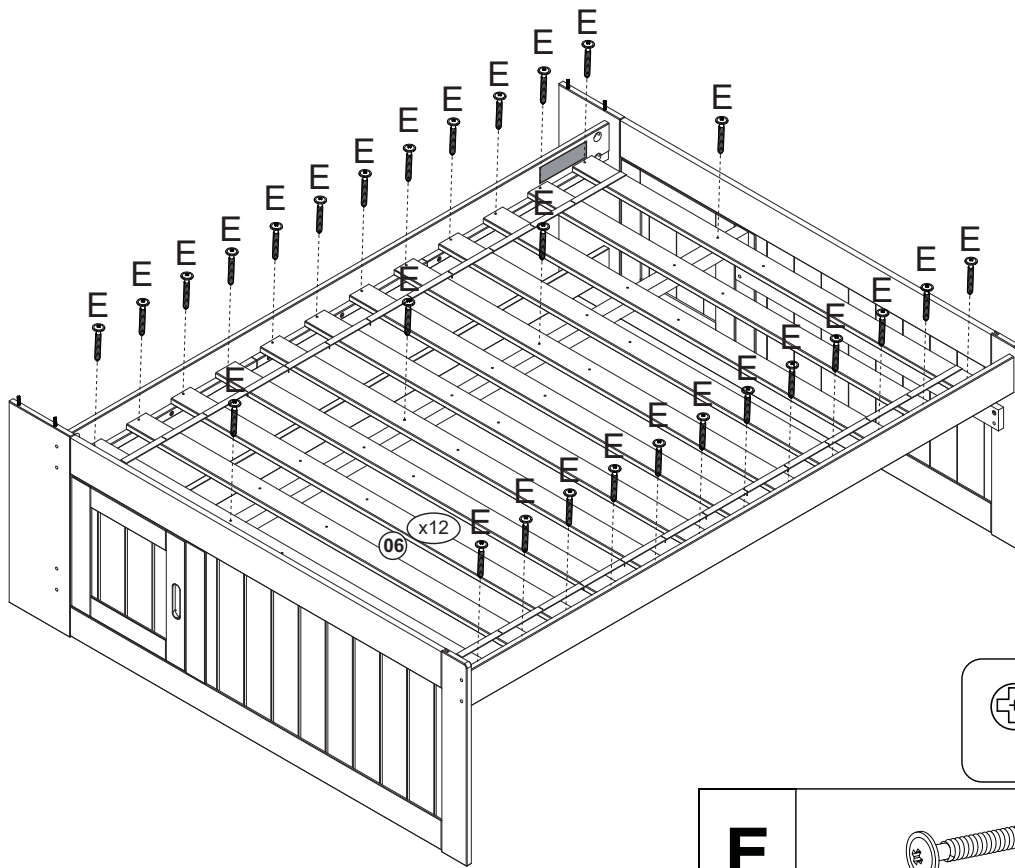


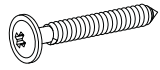
07



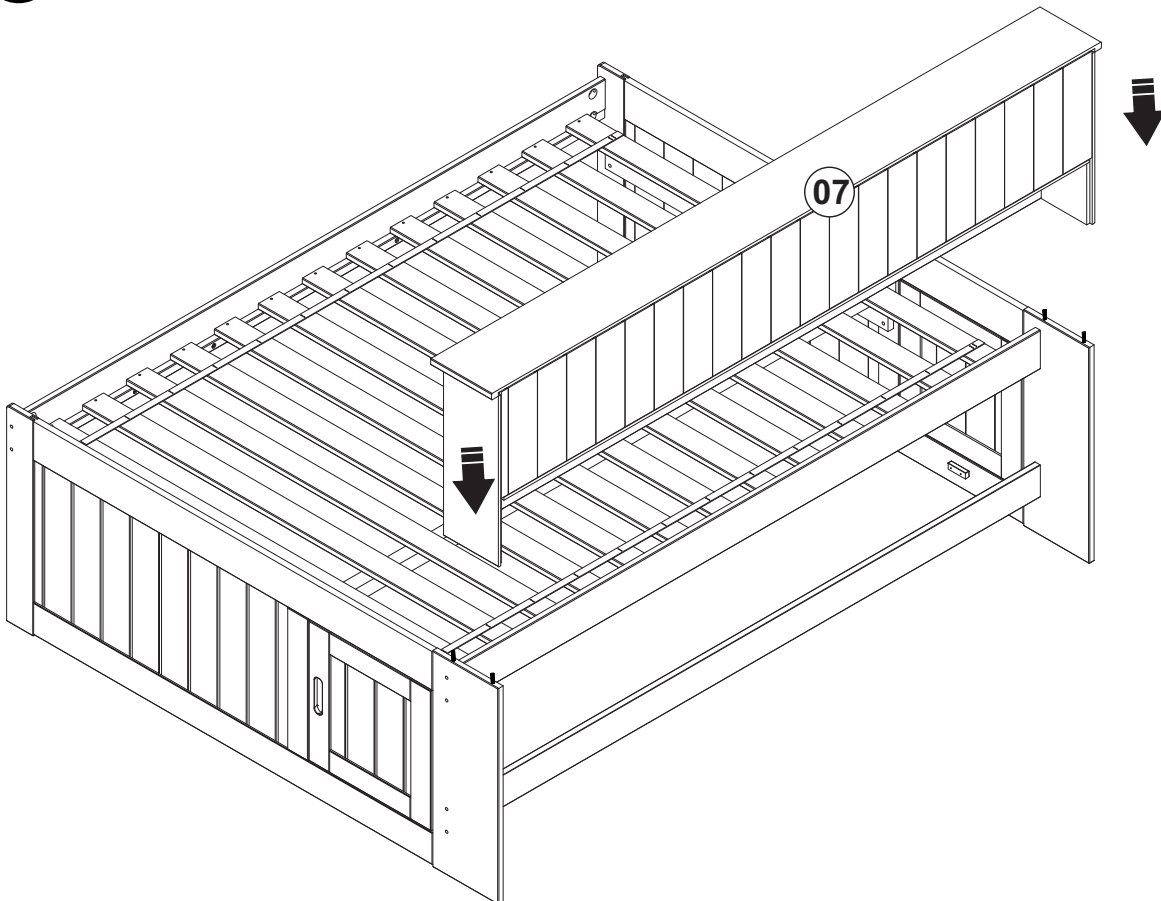
I	 Ø 3,0x16	04
----------	--------------	-----------

08

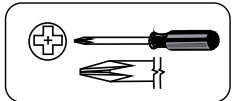
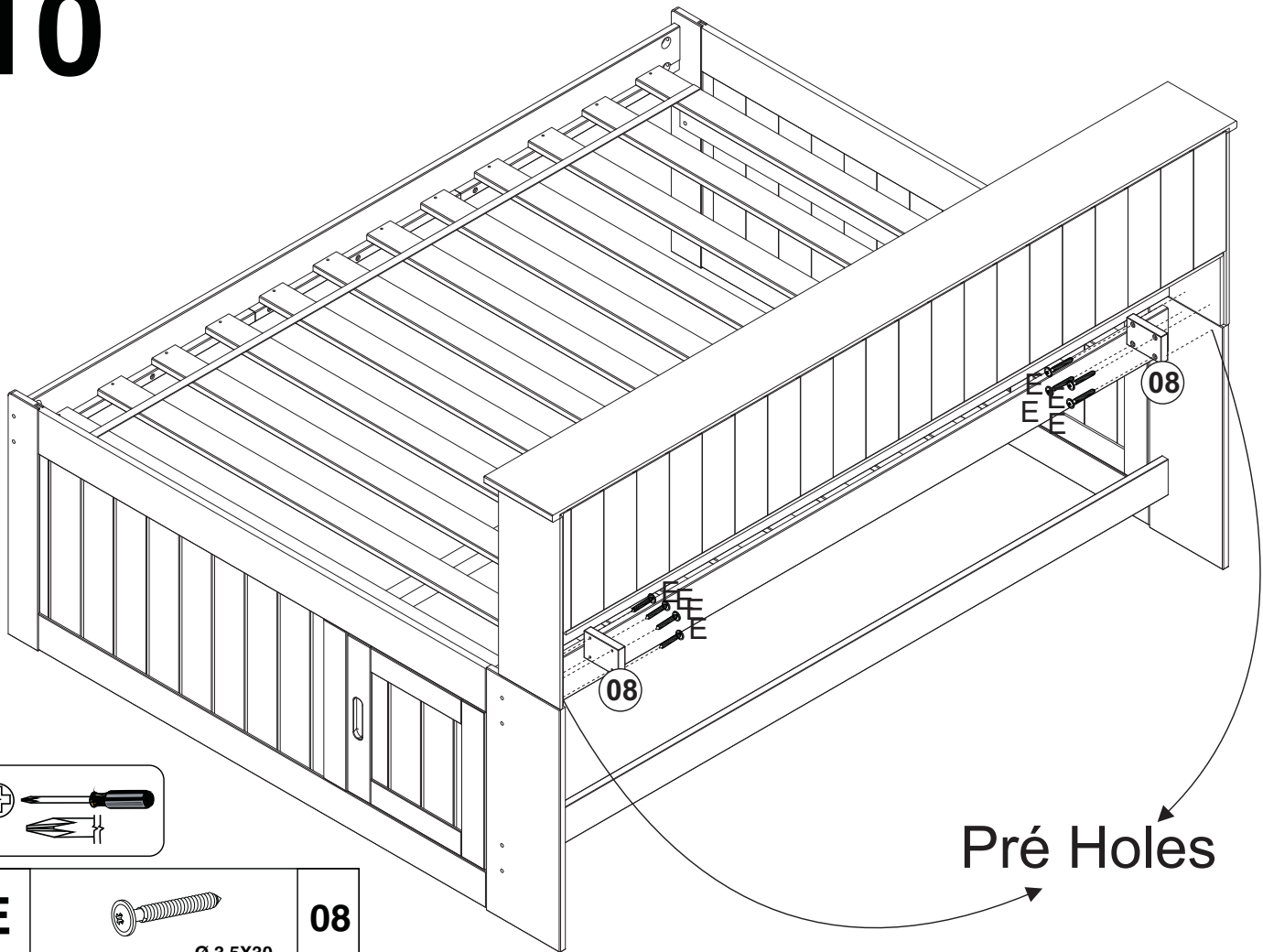


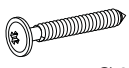
E	 Ø 3,5X30	28
----------	---	-----------

09

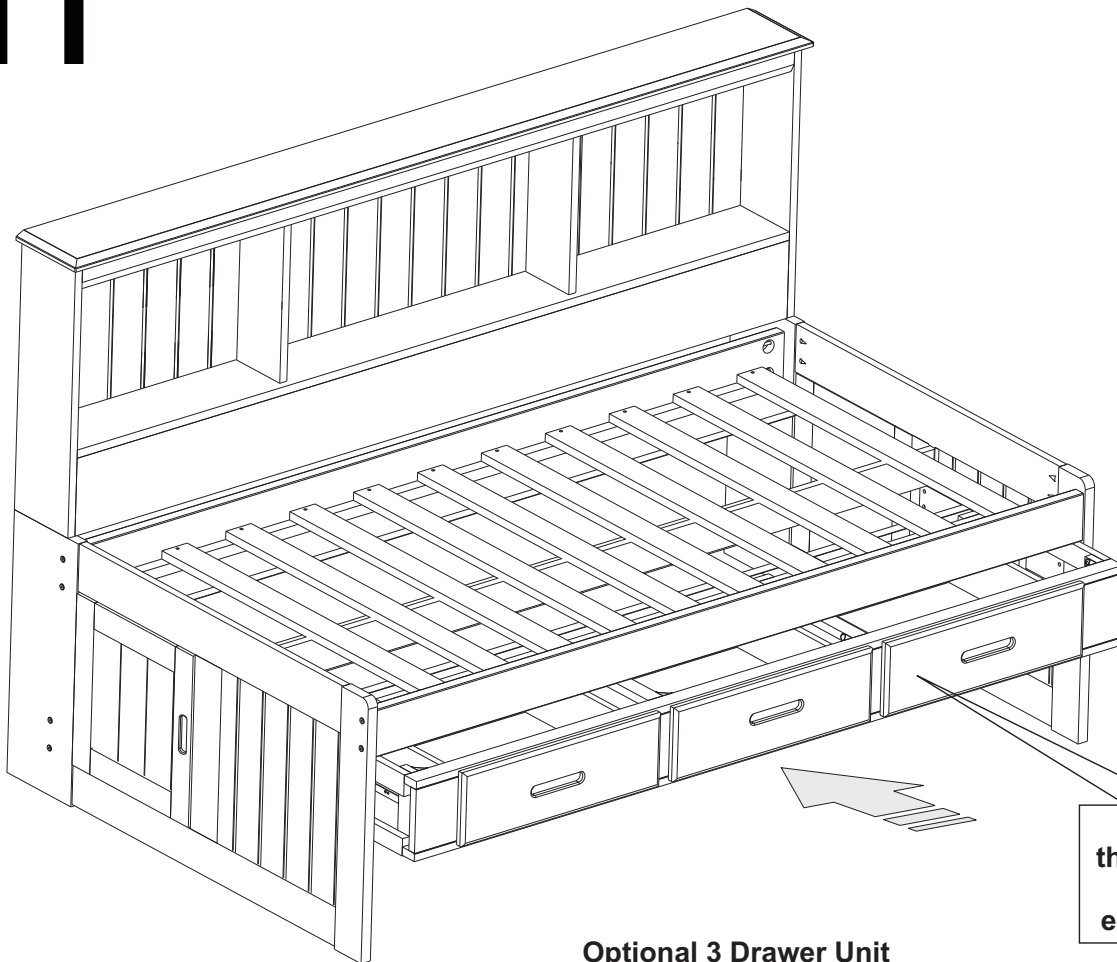


10



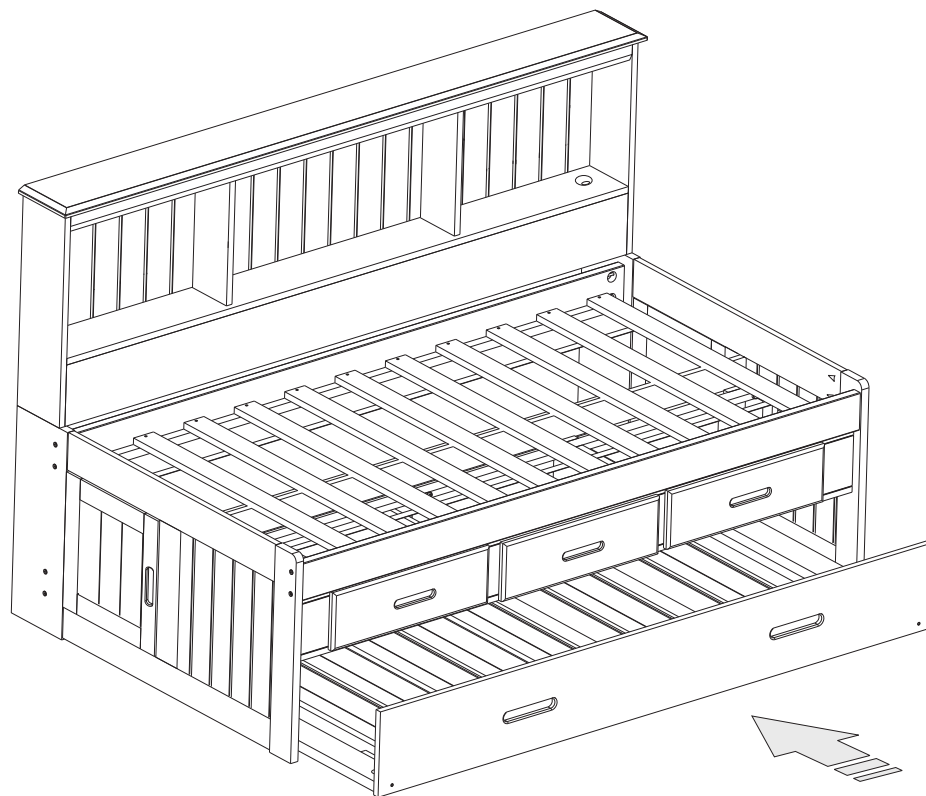
E		08
	Ø 3,5X30	

11



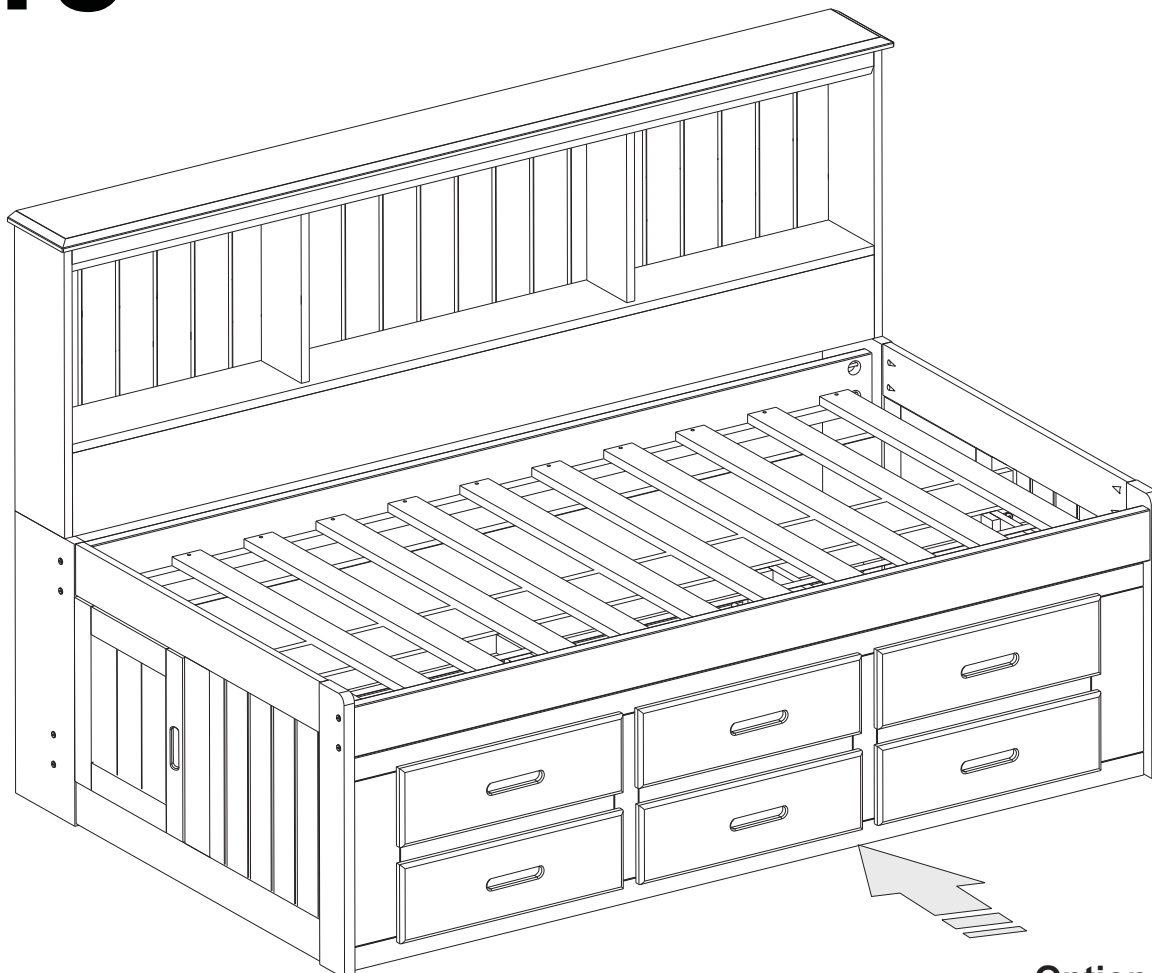
Optional 3 Drawer Unit

12



Optional Trundle

13



Optional 6 Drawer Unit