



## Model: 122-3 TWIN FULL MISSION BUNK BED

### SAFETY WARNINGS

1. Follow the information on the warnings appearing on the upper bunk end structure and on the carton. Do not remove warning label from bed
2. Always use the recommended size mattress or mattress support, or both, to help prevent the likelihood of entrapment or falls.
3. Surface of mattress must be at least 5 inches (127mm) below the upper edge of guardrails.
4. Do not allow children under 6 years of age to use the upper bunk
5. Prohibit more than one person on the upper bunk
6. Periodically, check and ensure that the guardrail, ladder, and other components are in their proper position, free from damage, and that all connectors are tight
7. Do not allow horseplay on or under the bed and prohibit jumping on the bed
8. Always use the ladder for entering and leaving the upper bunk.
9. Do not use substitute parts. Contact the manufacturer or dealer for replacement parts.
10. Use of a nightlight may provide added safety precaution for a child using the upper bunk.
11. Always use guardrail on both long sides of the upper bunk. If bunk bed will be placed next to the wall, the guardrail that runs the full length of the bed should be placed against the wall to prevent entrapment between the bed and wall.
12. The use of water or sleep flotation mattresses is prohibited.
13. Keep these instructions for future reference.

### STRANGULATION HAZARD

Never attach or hang items to any part of the bunk bed that are not designed for use with the bed; for example, but not limited to, hooks, belts and jump ropes.

### SIZE OF MATTRESS AND FOUNDATION

Use only mattress which is 74" - 75" long and 37 1/2" - 38 1/2" wide on twin upper bunk

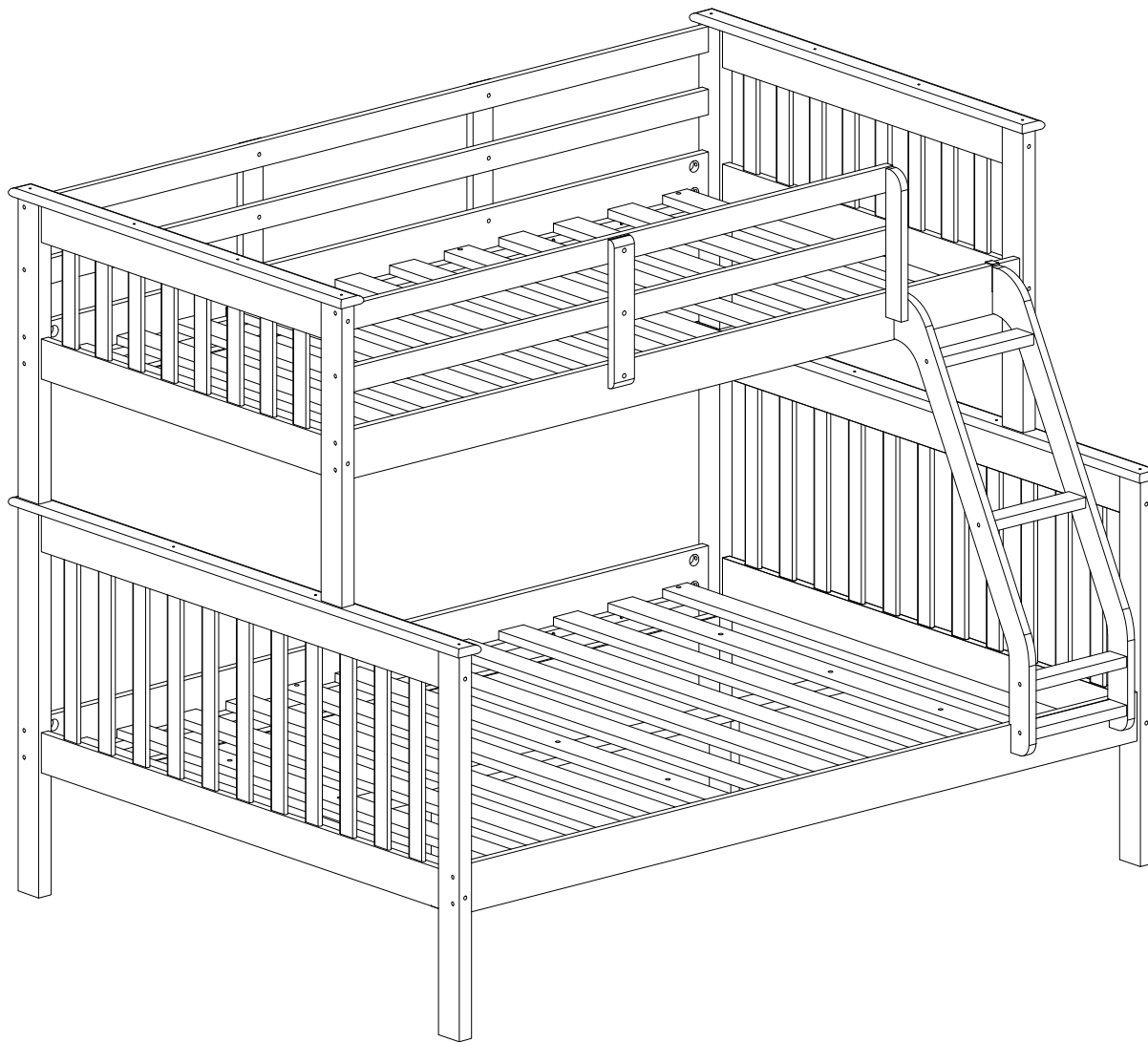
Use only mattress which is 74" - 75" long and 52 1/2" - 53 1/2" wide on full lower bunk

Ensure thickness of mattress and foundation combined does not exceed 8" and mattress and is at least 5" below upper edge of guardrails.

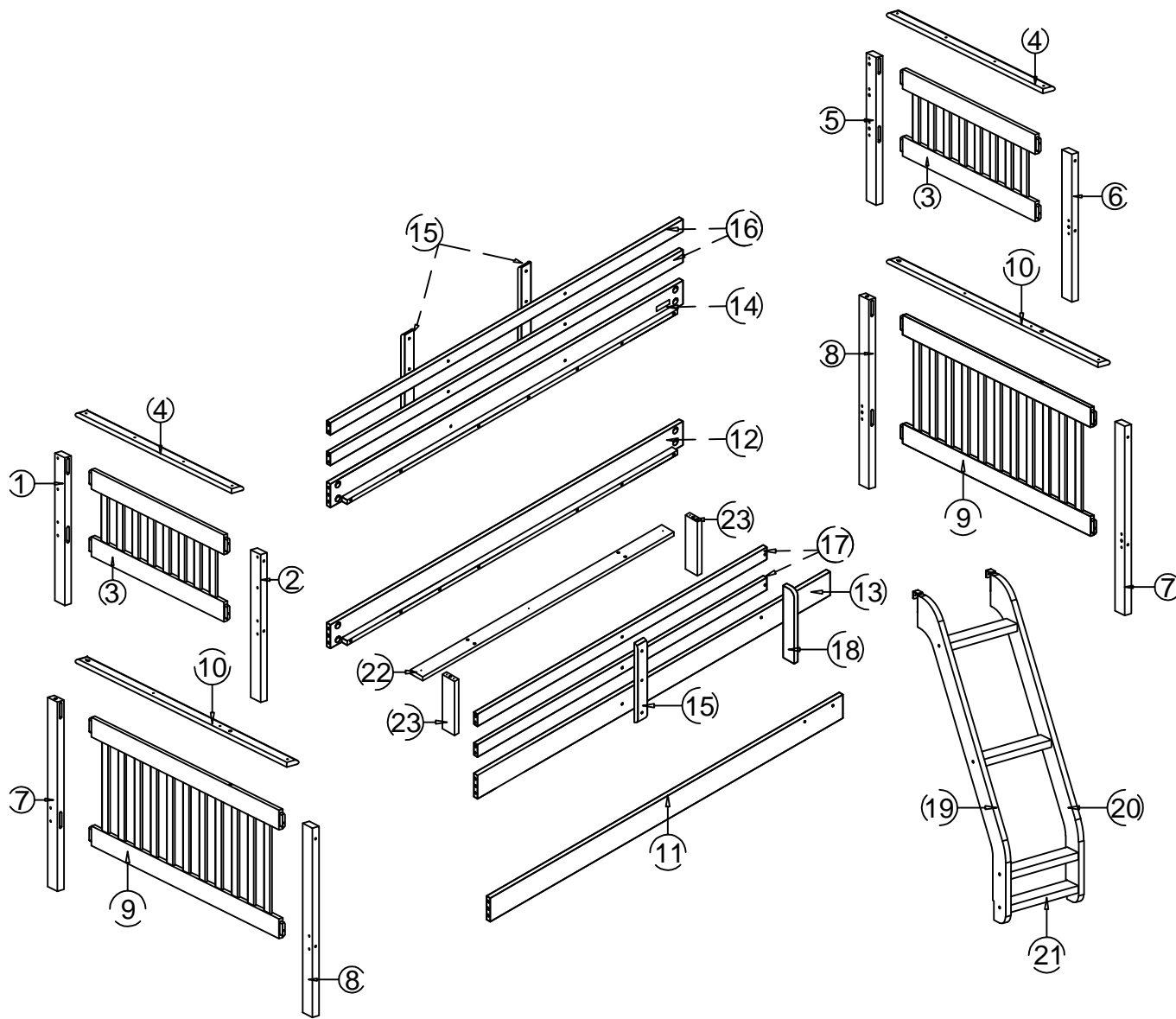
Replacement parts, maybe obtained from any Donco dealer or directly from us at the below address.

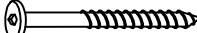
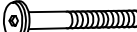





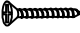

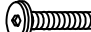



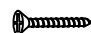

6801 Snowden Road Fort  
Worth, Texas 76140

# ASSEMBLY INSTRUCTIONS - BUNK BED



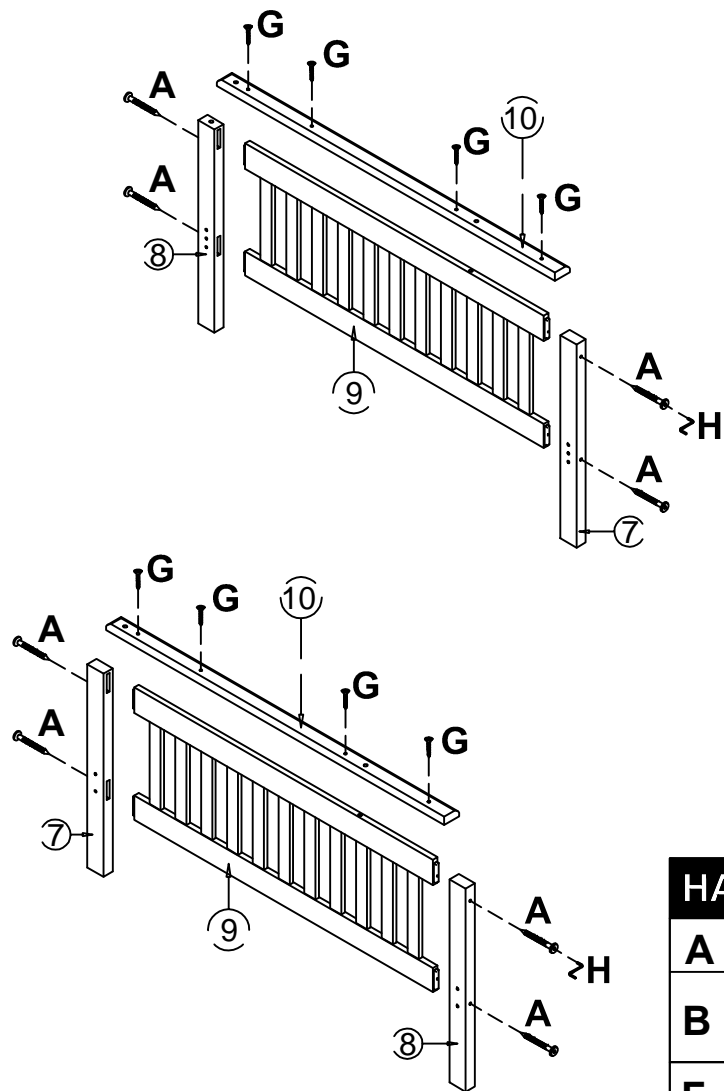
# ASSEMBLY INSTRUCTIONS - BUNK BED



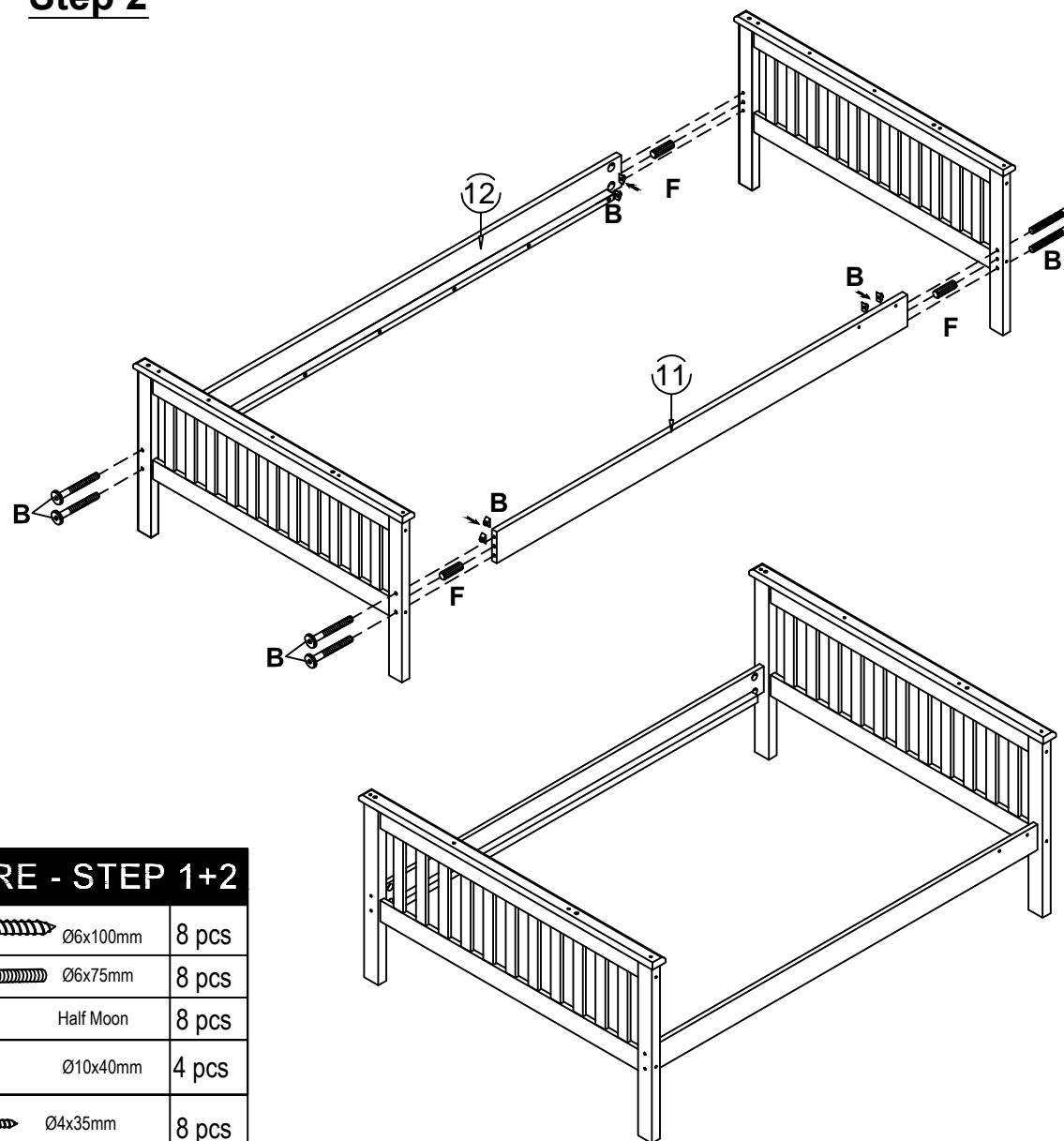
COMPLETE HARDWARE LIST			
<b>A</b>		Ø6x100mm	16 pcs
<b>B</b>		Ø6x75mm	16 pcs
		Half Moon	16 pcs
<b>C</b>		Ø6x50mm	8 pcs
<b>D</b>		Ø6x65mm	6 pcs
<b>E</b>		Wood Dowel Ø12x110mm	4 pcs
<b>F</b>		Ø10x40	32 pcs
<b>G</b>		Ø4x35mm	16 pcs
<b>H</b>		Allen Key	1 pc
<b>I</b>		Ø6x35mm	14 pcs
		Female Half Moon	9 pcs
<b>J</b>			2 pcs
<b>M</b>		Ø4x15mm	6 pcs
<b>N</b>		Ø4x30mm	23 pcs
<b>O</b>		Ø6x23mm	2 pcs

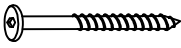



# ASSEMBLY INSTRUCTIONS - BUNK BED

## Step 1



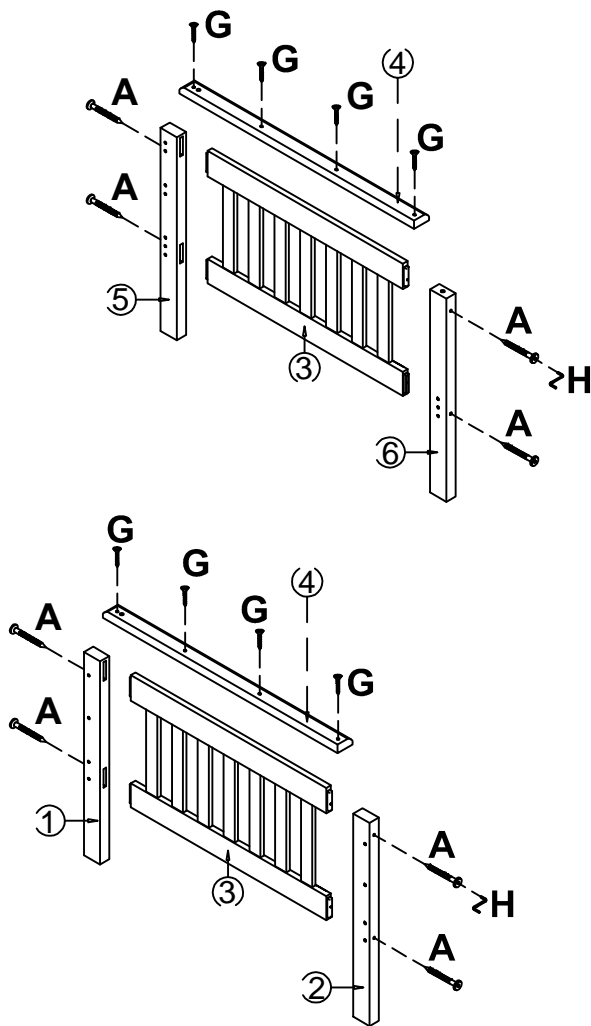
## Step 2



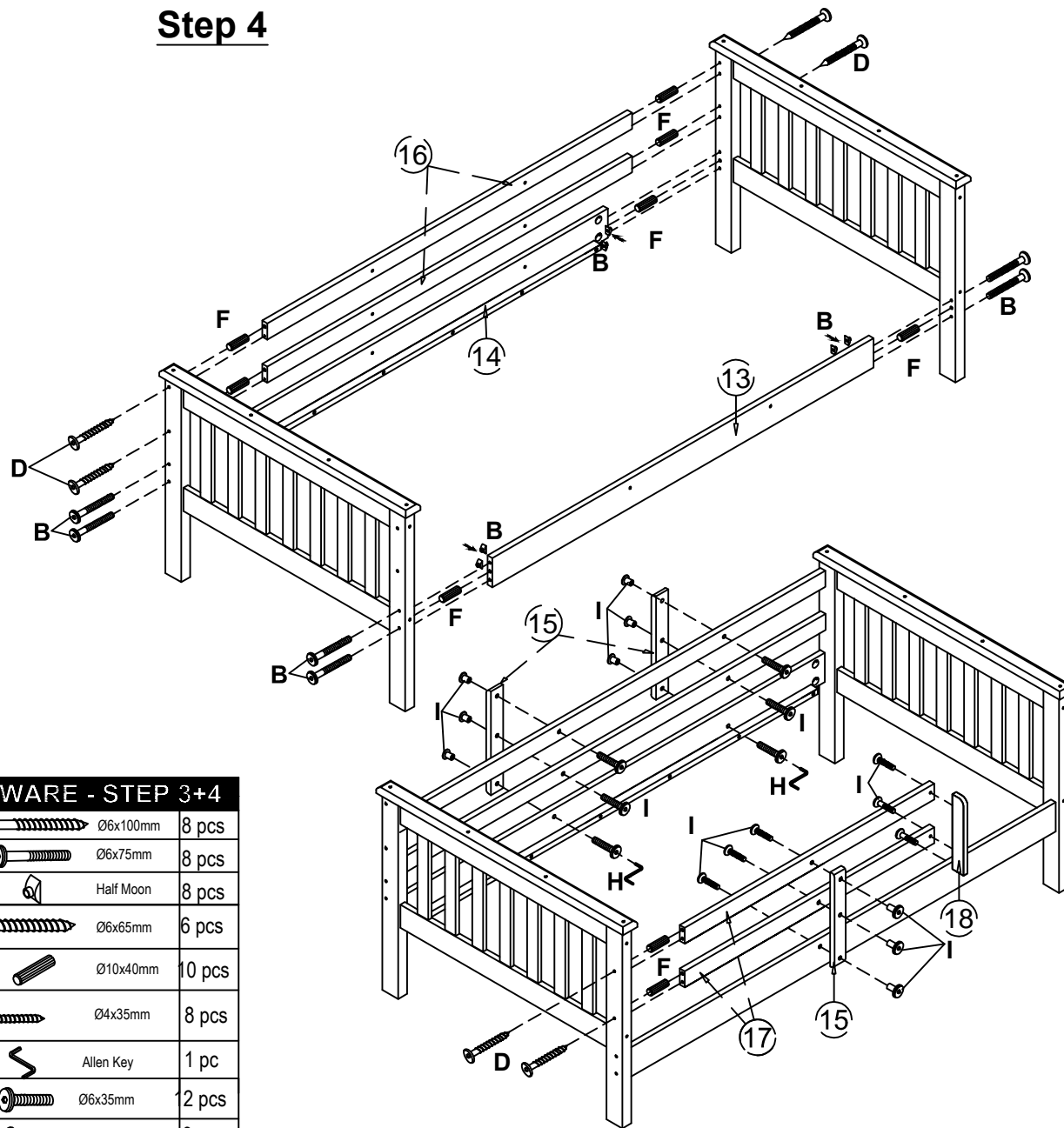
HARDWARE - STEP 1+2		
<b>A</b>	 Ø6x100mm	8 pcs
<b>B</b>	 Ø6x75mm	8 pcs
	 Half Moon	8 pcs
<b>F</b>	 Ø10x40mm	4 pcs
<b>G</b>	 Ø4x35mm	8 pcs
<b>H</b>	 Allen Key	1 pc

# ASSEMBLY INSTRUCTIONS - BUNK BED

## Step 3



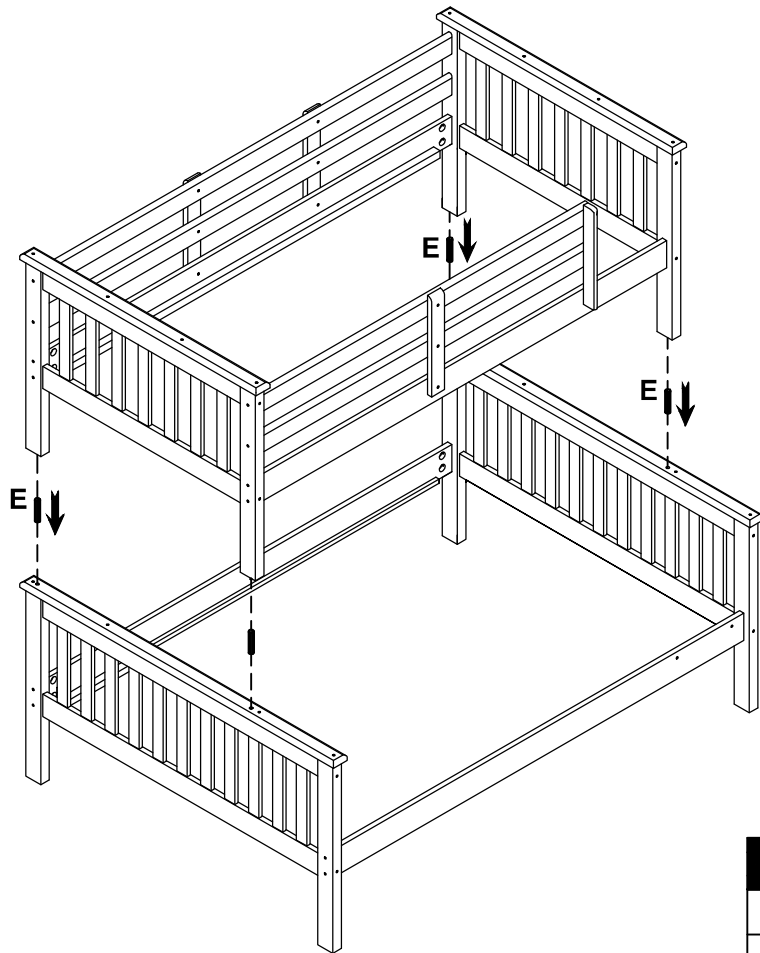
## Step 4



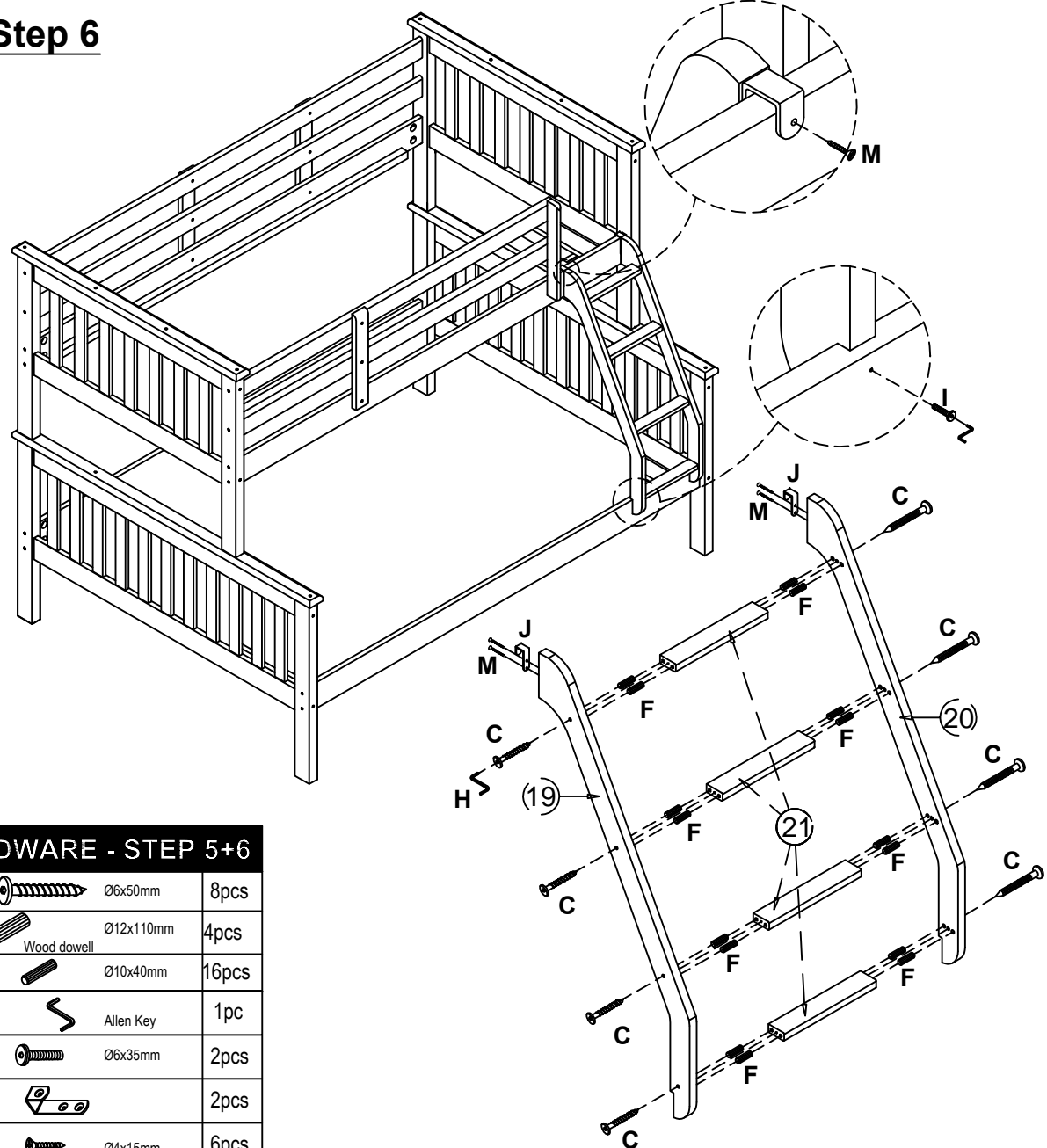
HARDWARE - STEP 3+4			
A		Ø6x100mm	8 pcs
B		Ø6x75mm	8 pcs
		Half Moon	8 pcs
D		Ø6x65mm	6 pcs
F		Ø10x40mm	10 pcs
G		Ø4x35mm	8 pcs
H		Allen Key	1 pc
I		Ø6x35mm	12 pcs
		Female Half Moon	9 pcs

# ASSEMBLY INSTRUCTIONS - BUNK BED

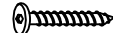




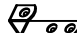

## Step 5



## Step 6

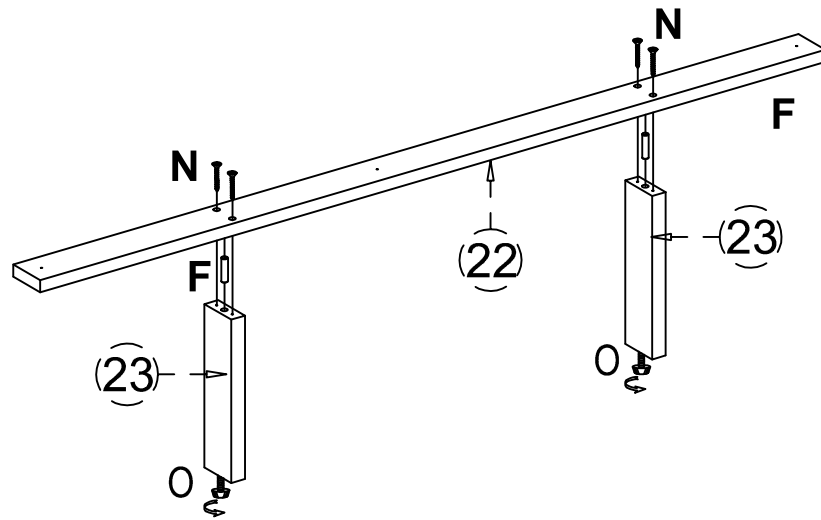


### HARDWARE - STEP 5+6

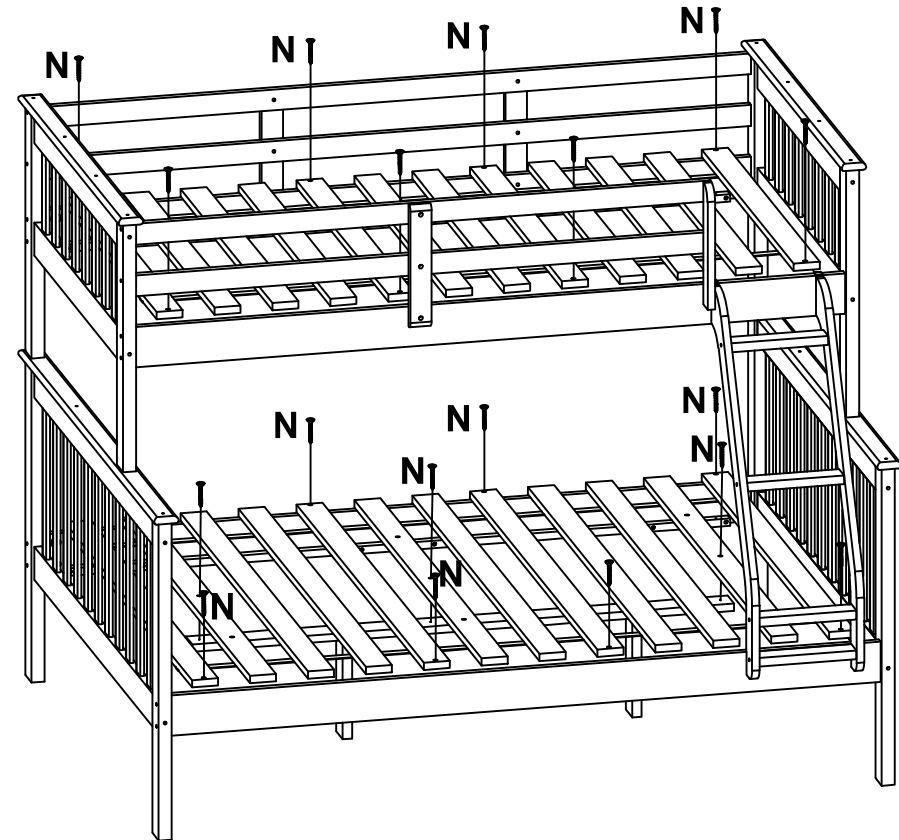
<b>C</b>		Ø6x50mm	8pcs
<b>E</b>		Ø12x110mm Wood dowel	4pcs
<b>F</b>		Ø10x40mm	16pcs
<b>H</b>		Allen Key	1pc
<b>I</b>		Ø6x35mm	2pcs
<b>J</b>			2pcs
<b>M</b>		Ø4x15mm	6pcs

# ASSEMBLY INSTRUCTIONS - BUNK BED

## Step 7



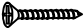


## Step 8



### **Important :**

Assembly Instructions  
24 slat options are located  
in slat box

### HARDWARE - STEP 7+8

<b>N</b>		Ø4x30mm	23 pcs
<b>F</b>		Ø10x40	2 pcs
<b>O</b>		Ø6x23mm	2 pcs