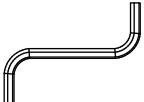
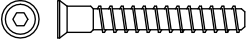
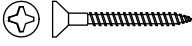

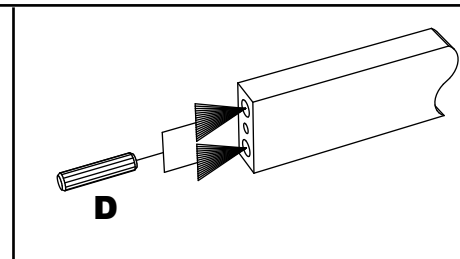
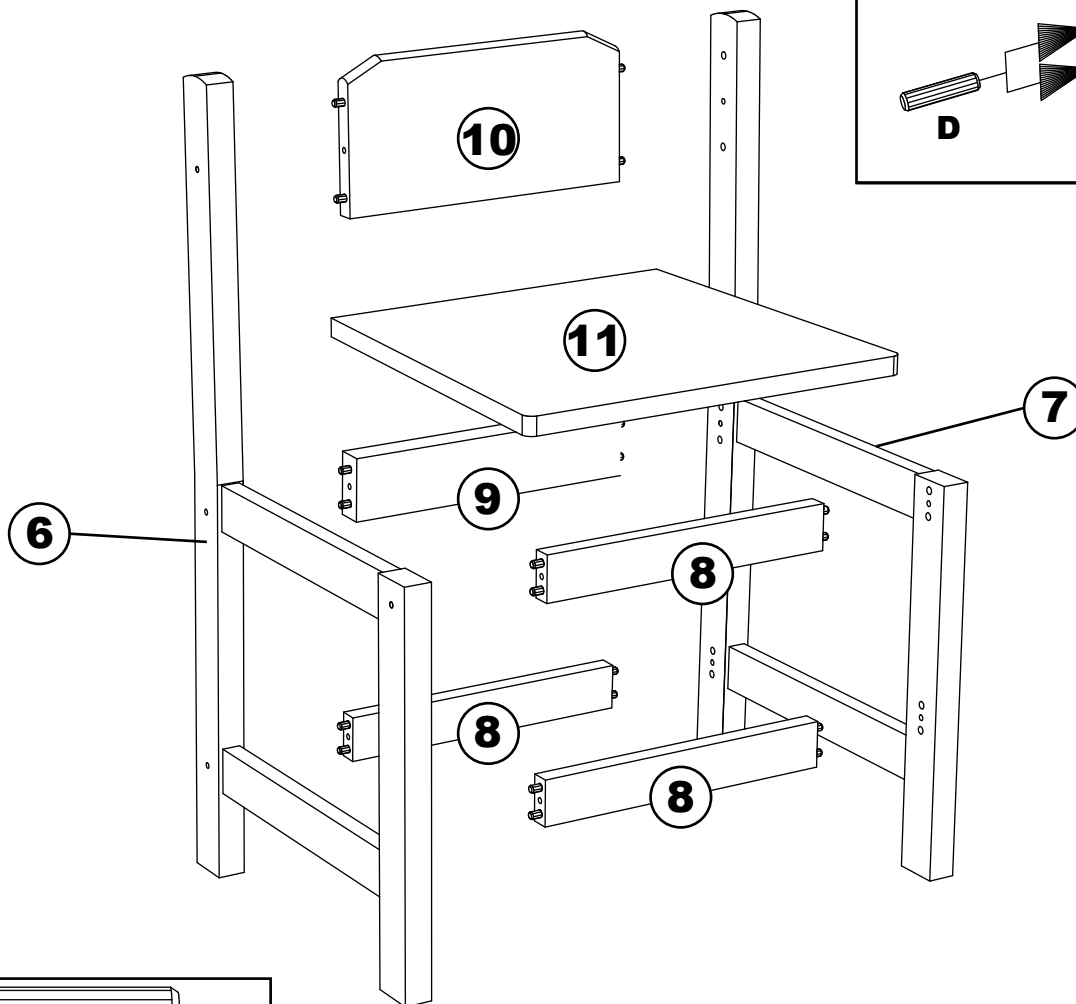
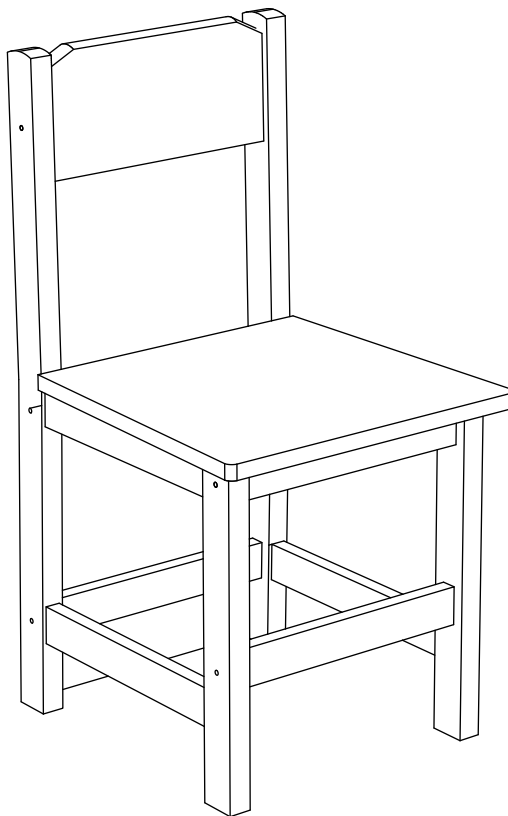
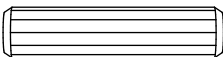


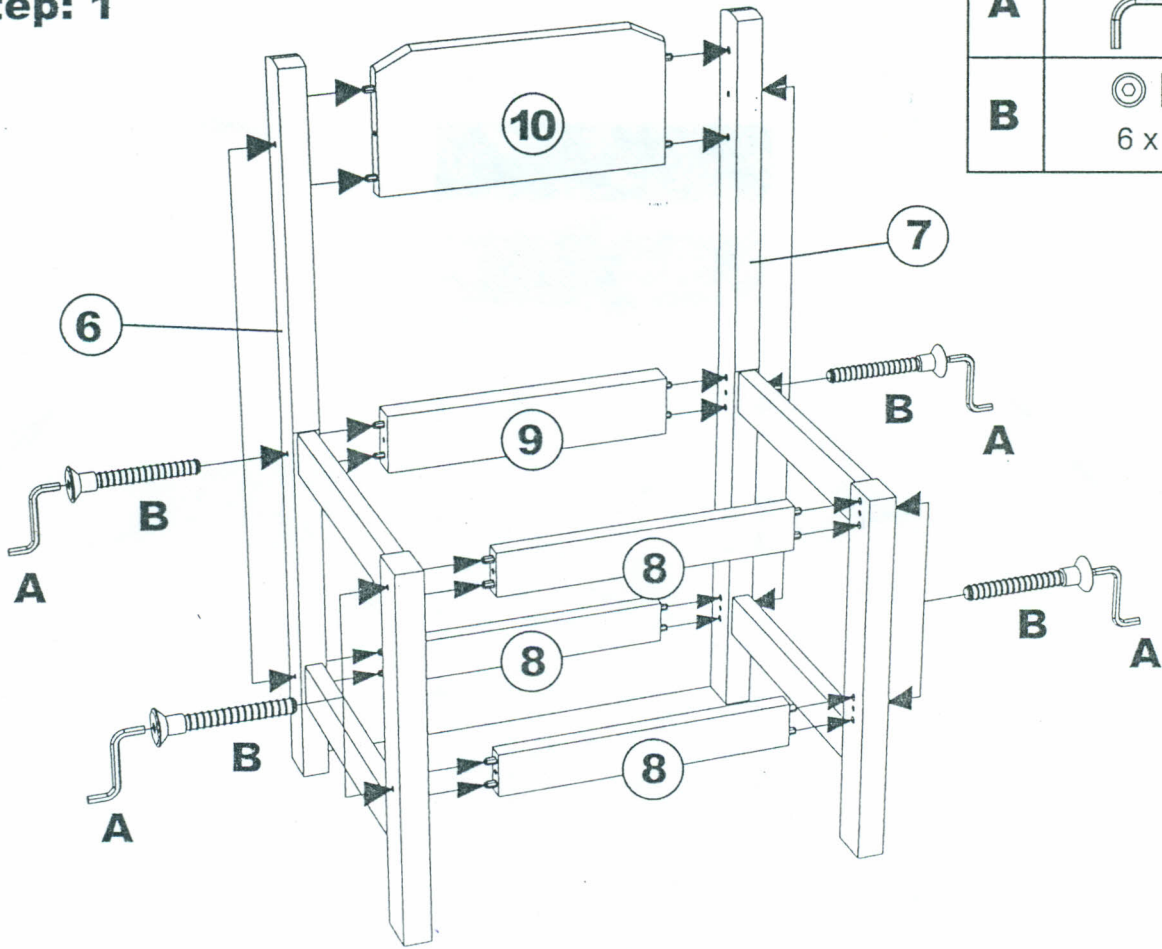
ASSEMBLY INSTRUCTIONS - STUDENT CHAIR

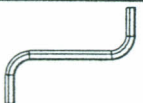

A		Qty: 01
B		Ø6 x 50mm Qty: 10
C		Ø4 x 30mm Qty: 09
D		Ø10 x 40mm Qty: 20



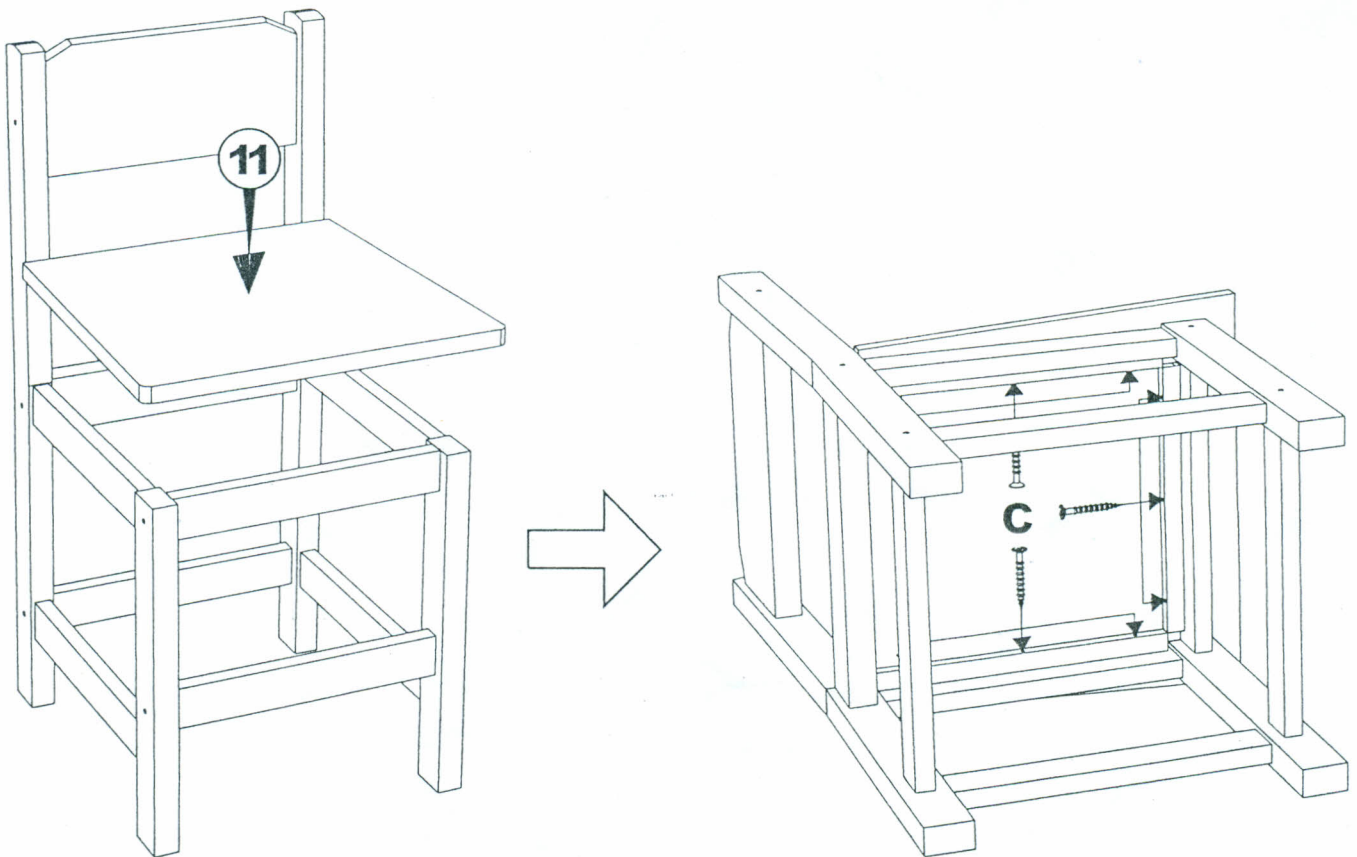
D		Ø10 x 40mm Qty: 20
----------	---	--------------------

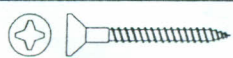
Step: 1



A	
B	 6 x 50mm Qty: 10

Step: 2



C	 4 x 30mm Qty: 09
----------	---