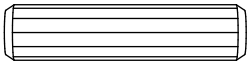
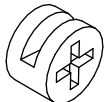
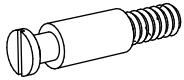

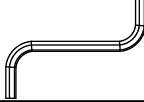

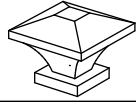
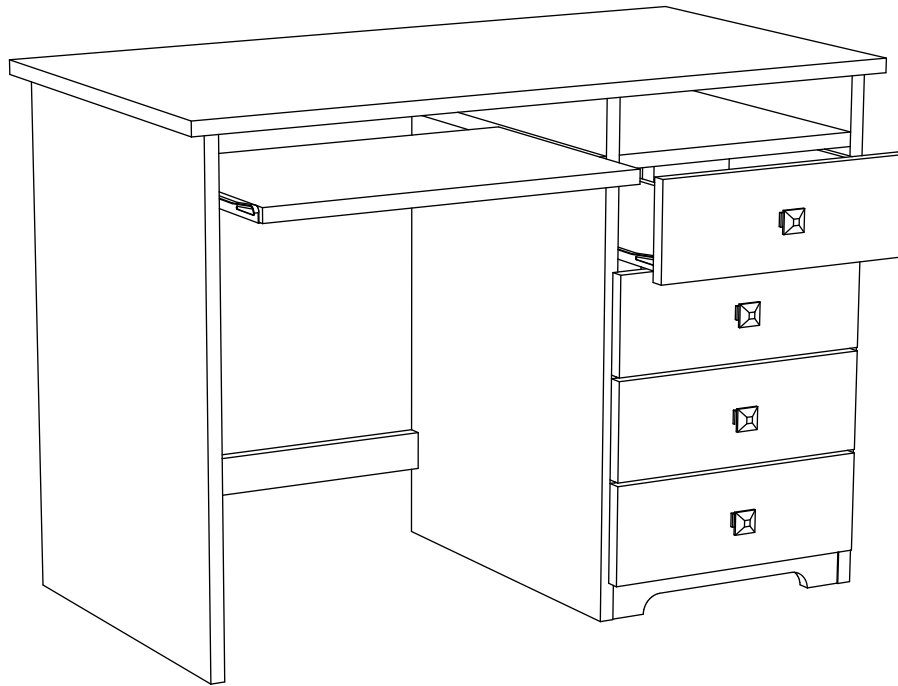
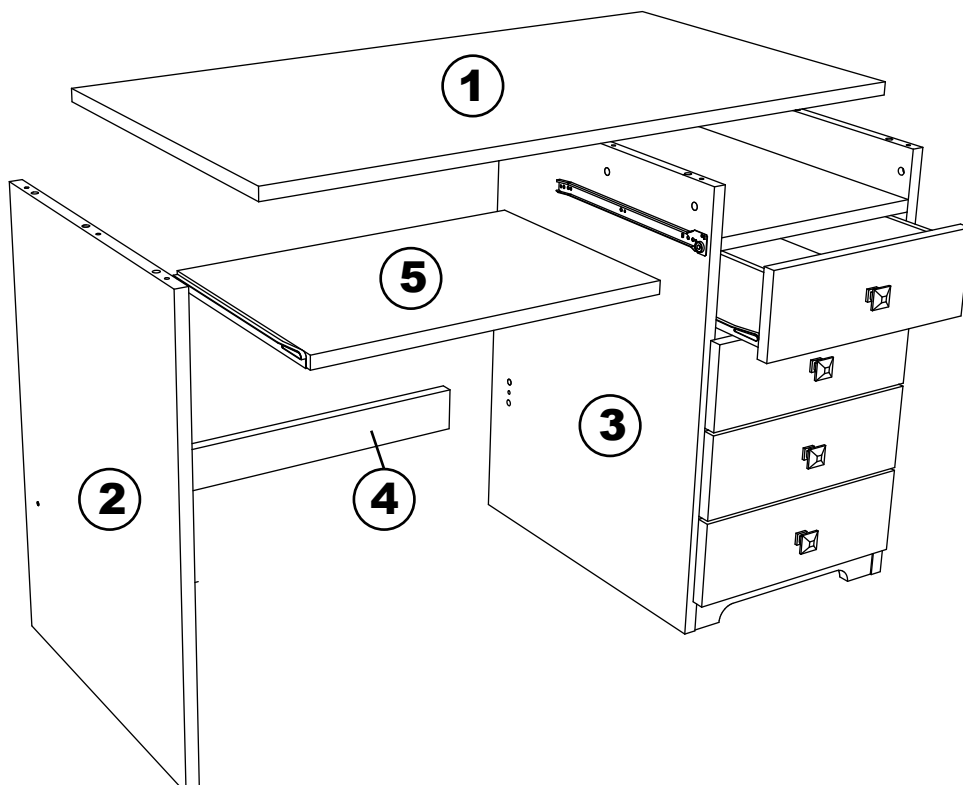


# ASSEMBLY INSTRUCTIONS - STUDENT DESK

<b>A</b>	 $\varnothing 10 \times 40\text{mm}$ Qty: 13	<b>B</b>	 Union Minifix Qty: 08	<b>C</b>	 Pin Of Union Qty: 08
<b>D</b>	 $\varnothing 7 \times 50\text{mm}$ Qty : 02	<b>E</b>	 Allen Key Qty: 01	<b>F</b>	 4 x 30mm Qty: 04
		<b>G</b>	 Qty: 04		

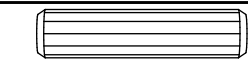


## Part List:



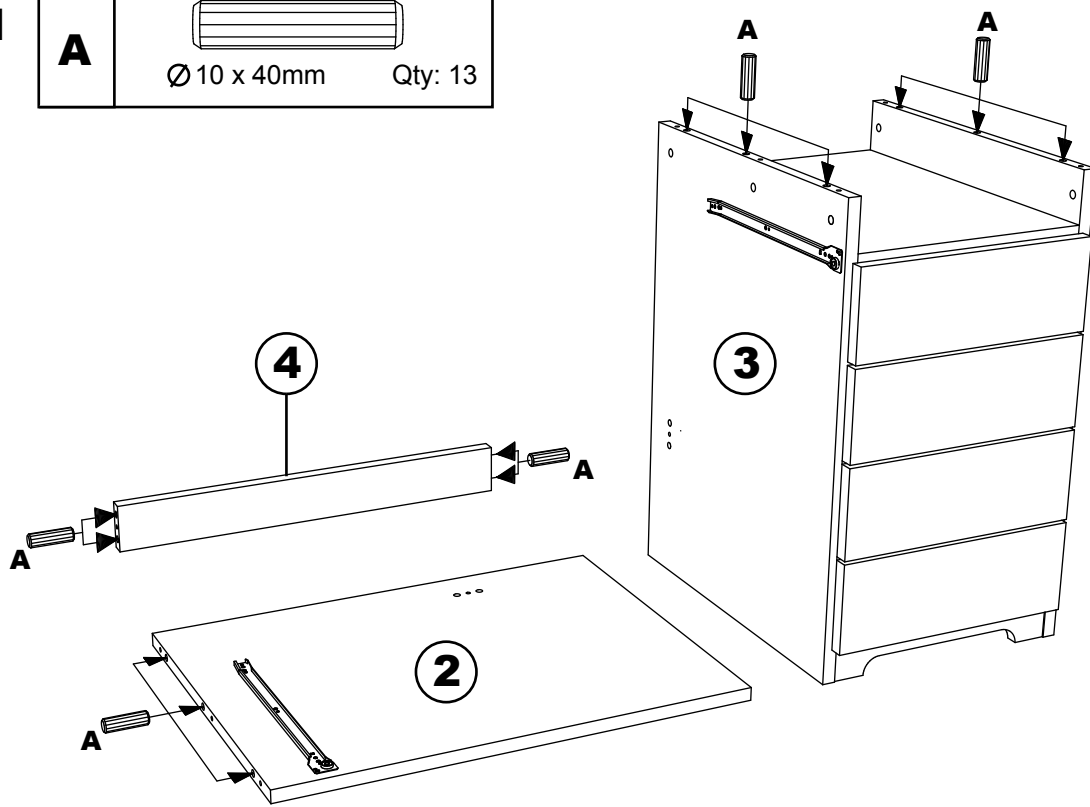
## Step: 1

**A**



Ø10 x 40mm

Qty: 13



## Step: 2

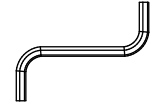
**D**



Ø7 x 50mm

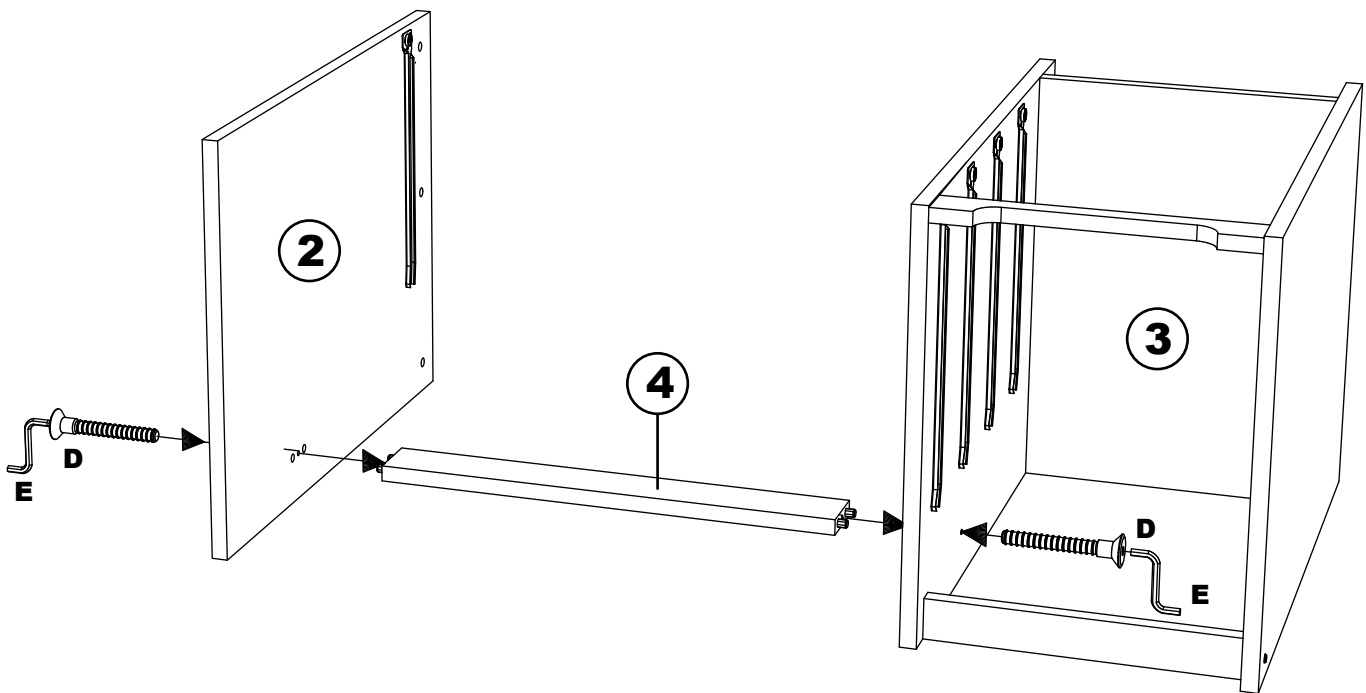
Qty: 02

**E**



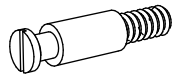
Allen Key

Qty: 01



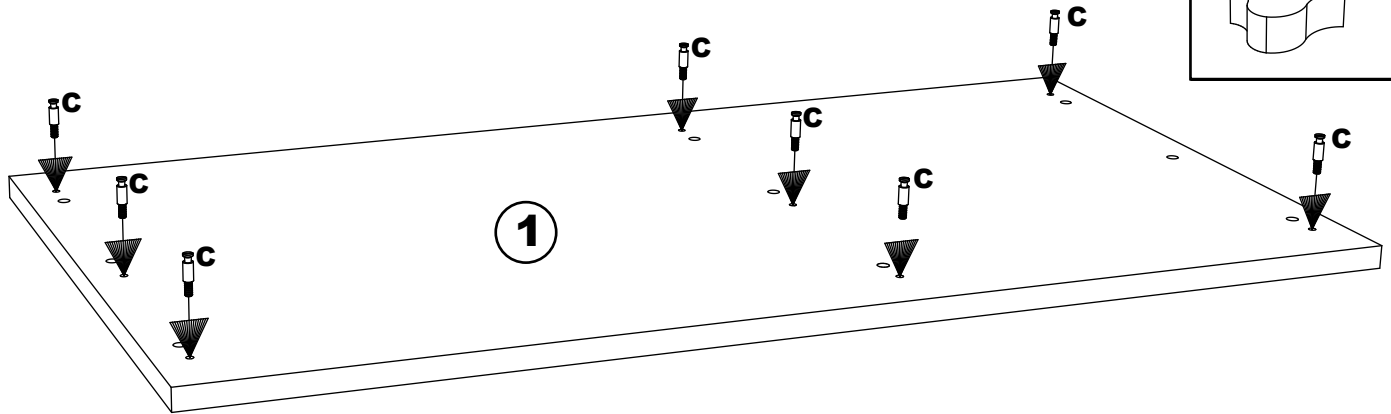
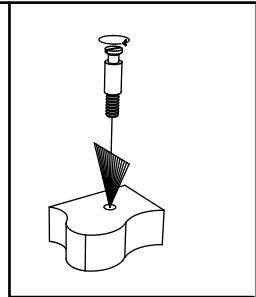
### Step: 03

**C**



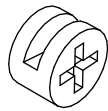
Pin Of Union

Qty: 08



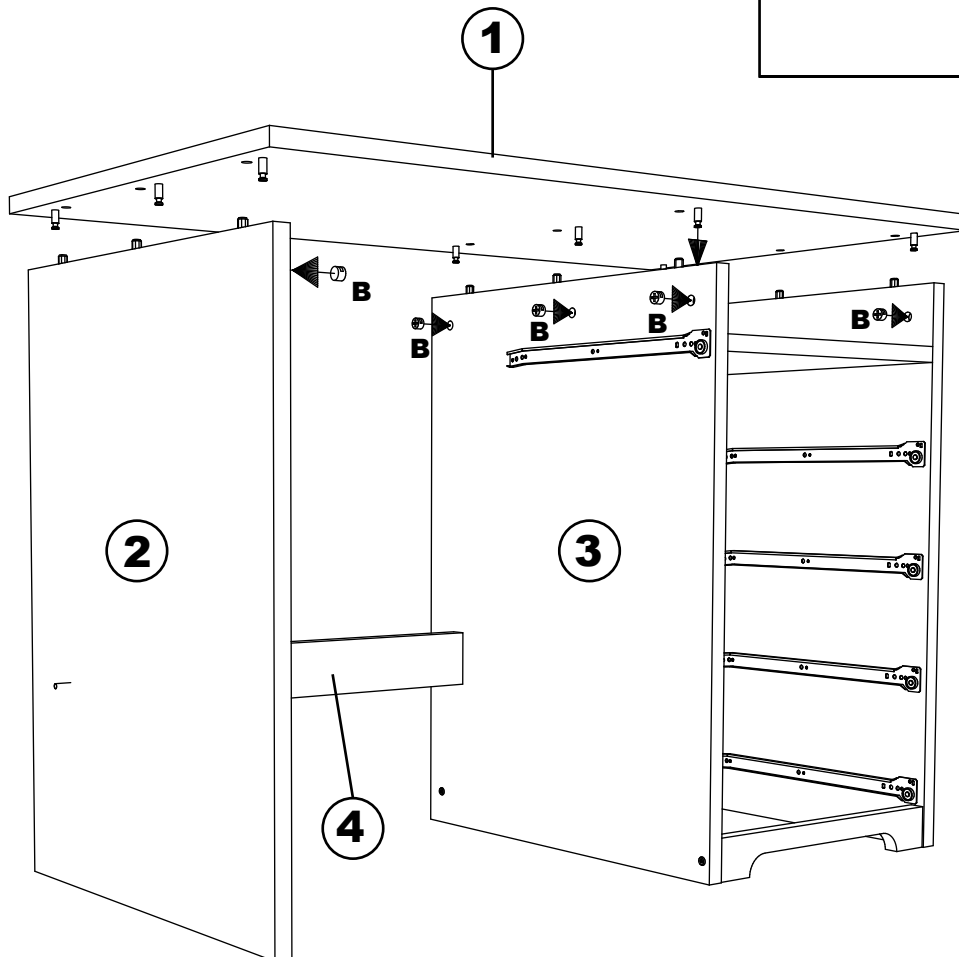
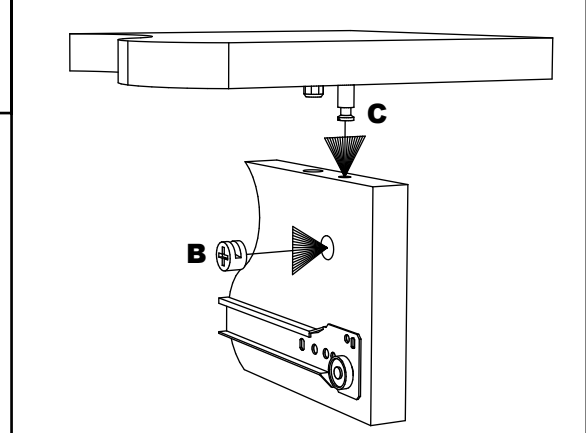
### Step: 04

**B**

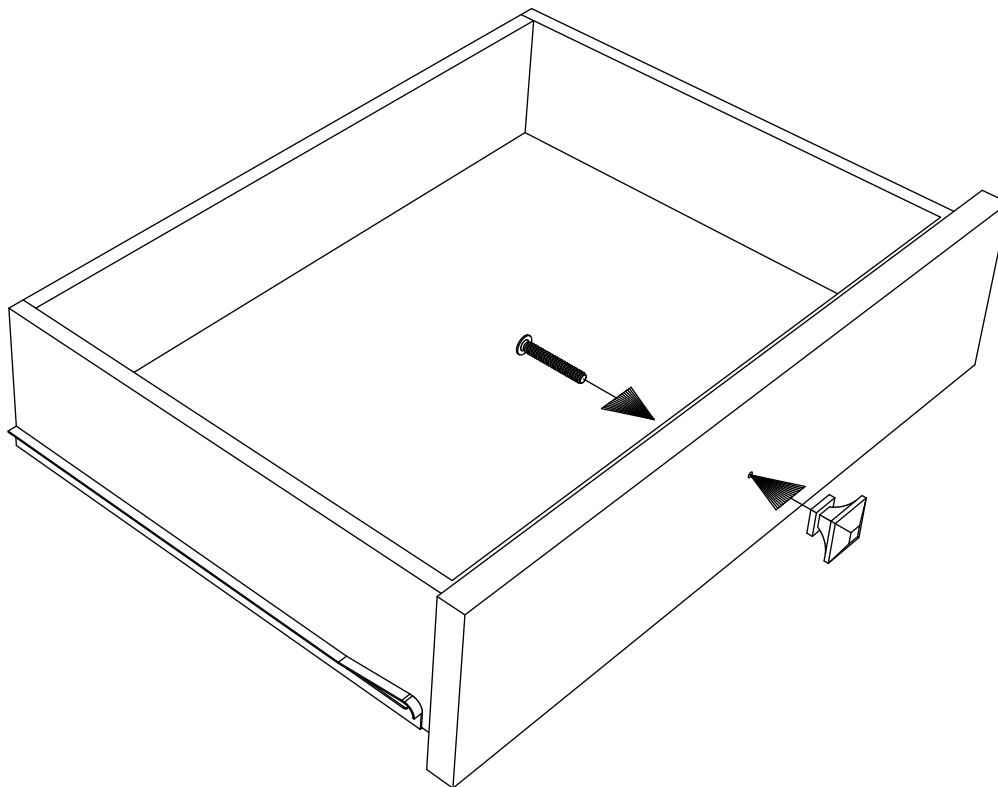



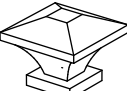
Union Minifix

Qty: 08



# Step: 05



<b>F</b>	 Ø 4 x 30mm Qty: 04	<b>G</b>	 Qty: 04
----------	--	----------	--

