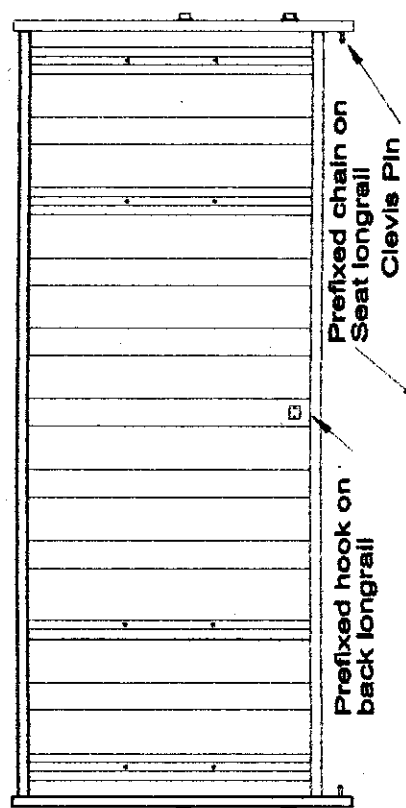


FUTON FRAME
MONET BIFOLD BODY
 Assembly Instructions

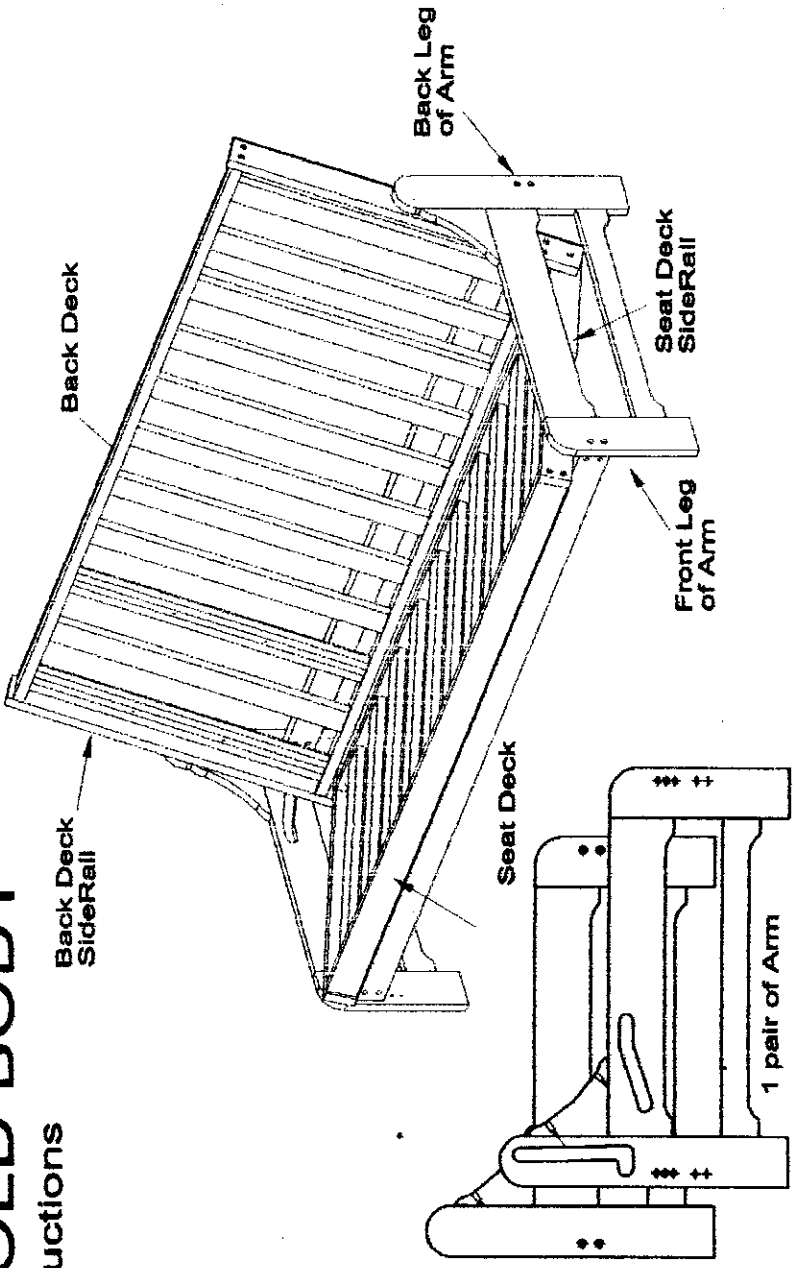
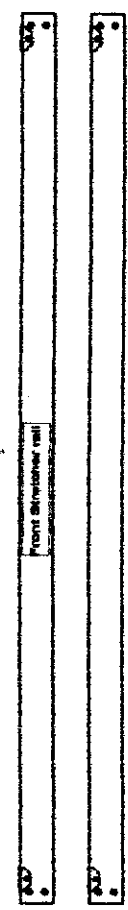
Part in this box

Back Deck Frame



Seat Deck Frame

Stretcher 2 pcs



NOTE :
 1. These Assembly Instructions show Full size frame assembly. Procedure is the same for all size.

For Size :
 CHAIR
 LOVESEAT
 FULL
 QUEEN

Hardware Pack:

- 50 mm Bolt 2 pcs Queen Size only
- Small Leg
- Wood Buttons 8 pcs
- M6 Barrel Nuts 8 pcs
- M6x18mm JCBC 4 pcs (For Metal bracket)
- M6x60mm JCBC 8 pcs (For Stretcher & Arms)
- Wood Dowel 4 pcs (For Front & Rear Stretcher)
- Metal Brackets 4 pcs
- Allen key 1 pc

BIFOLD FUTON FRAME

ASSEMBLE ARMS TO STRETCHERS

1. Insert wood dowel to the end of each stretcher rail as shown in fig. 2
2. Using Bolt and barrel nuts provided with the arms, attach the arm **LOOSELY** to the stretcher as shown. After fixed stretcher rails on arm, **DO NOT TIGHTEN THE BOLT YET.**
3. Detailed procedure of fixing the bolt and barrel nut is illustrated in figure 3.

Figure. 3

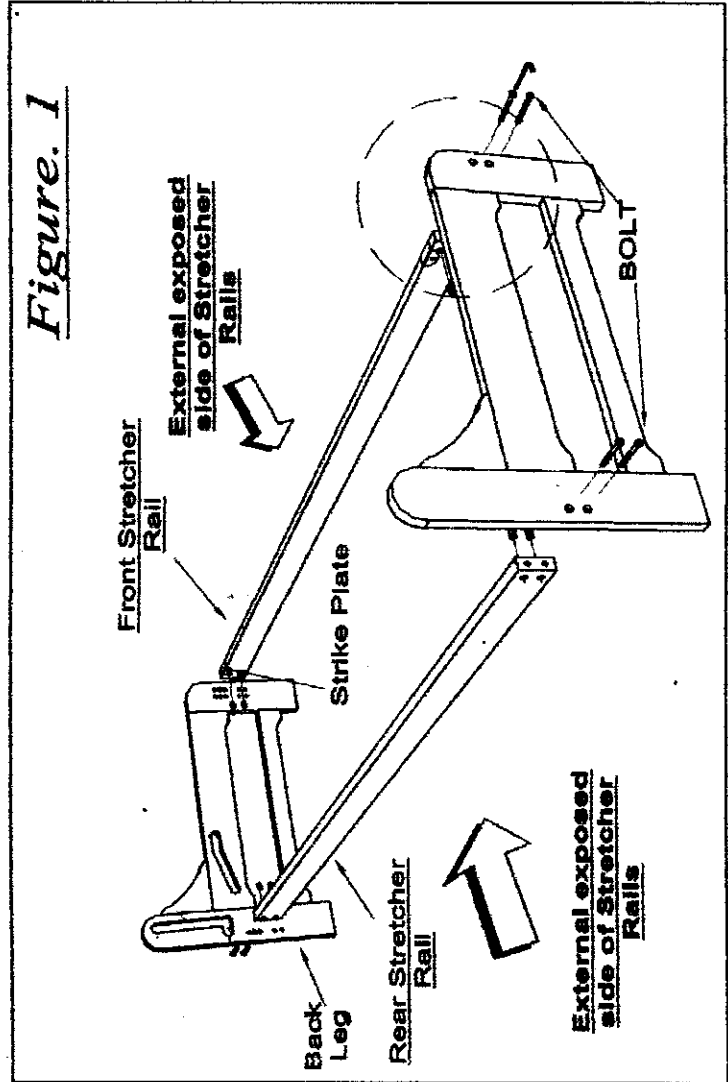
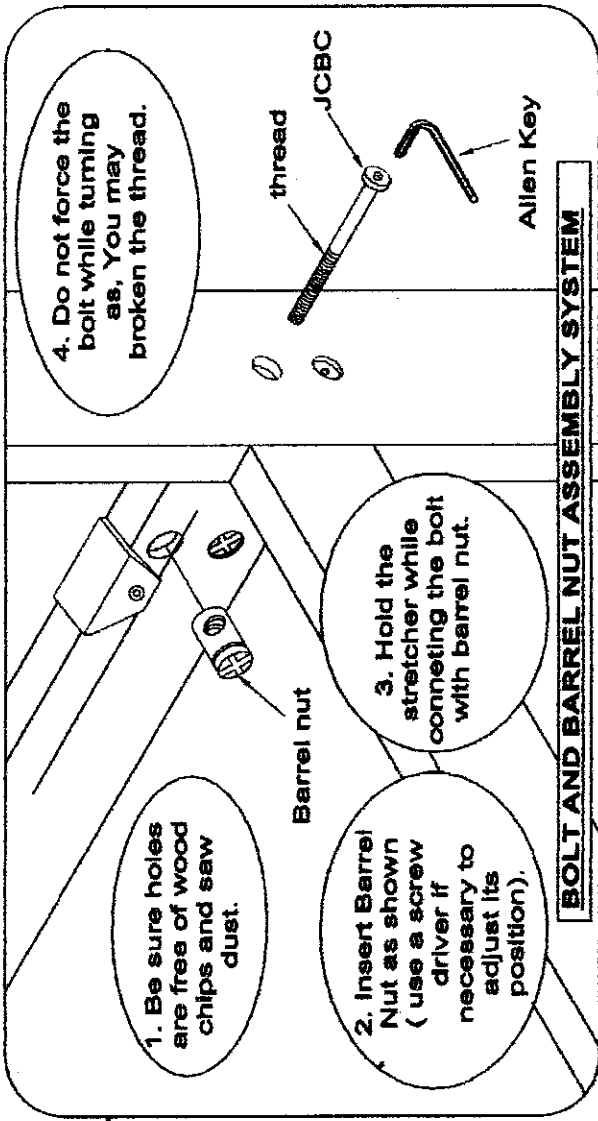


Figure. 1

Insert Dowel to Rail

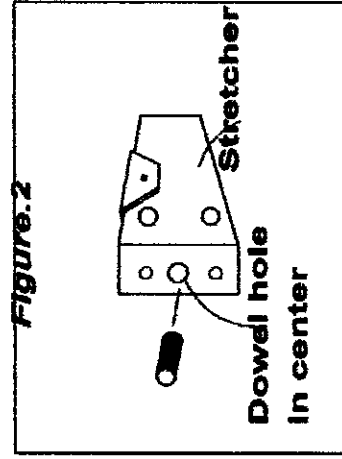


Figure.2

Removing the pre-assembled Clevis Pin

Back Deck

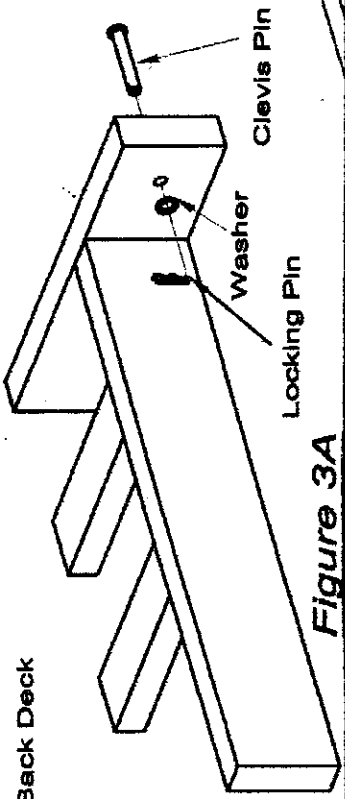


Figure 3A

A. Removing pre-assembled Clevis Pin.

Remove the pre-assembled Clevis pin from both side of the back deck as per the illustration in Fig.3.A

B. Reinstalling Clevis Pin

After Removing the clevis pin, lay the Back Deck flat and have someone hold it in position. Align the Clevis pin hole on both side of Decks in Fig.3.B.

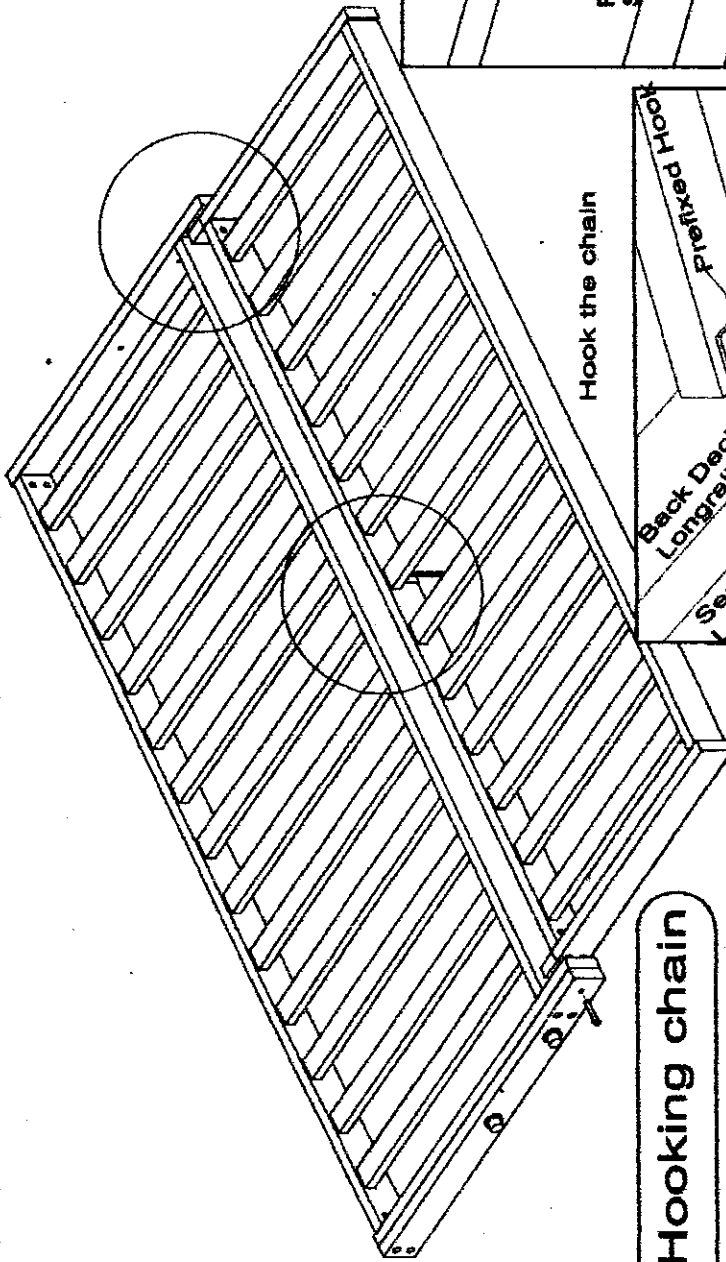
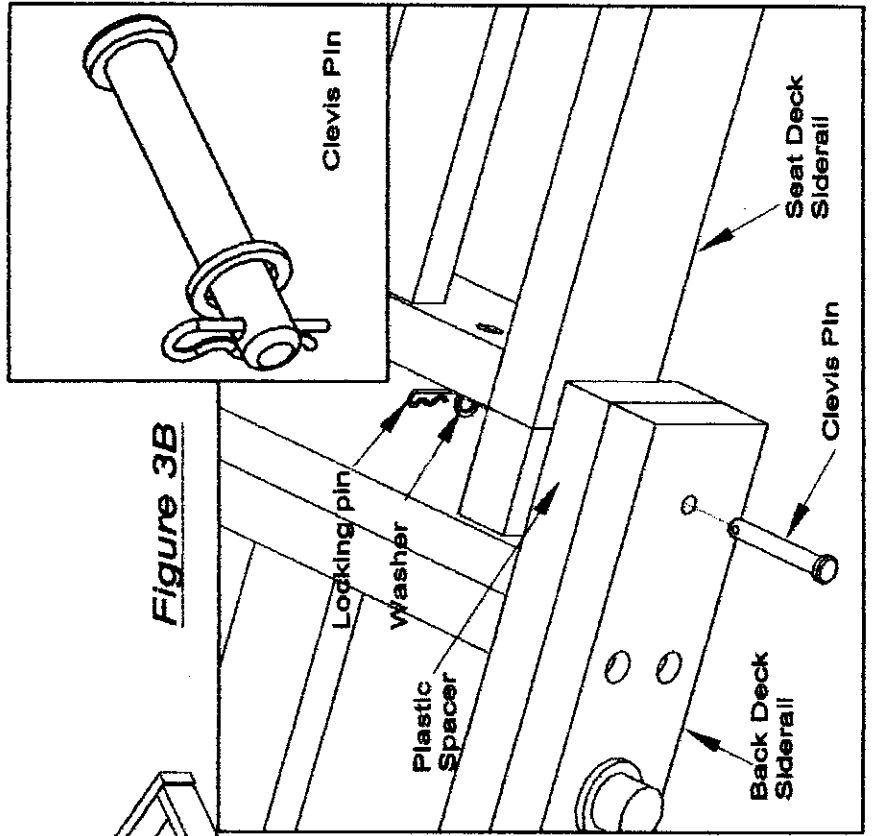


Figure 3B



C. Hooking chain

Attention. Please hook the chain as shown to tighten and strengthen your futon frame in Fig.3.C.

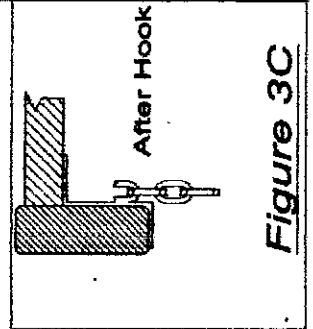
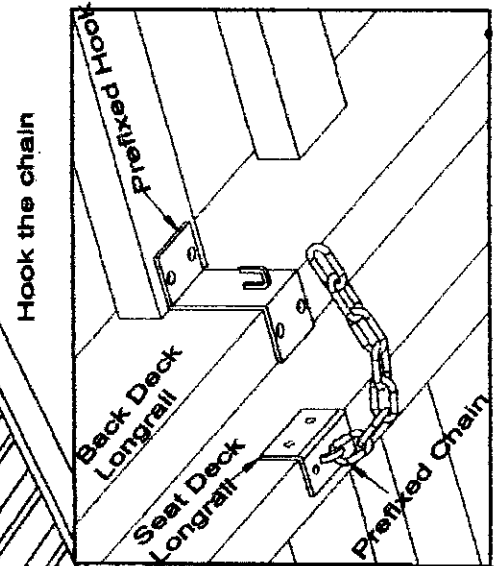
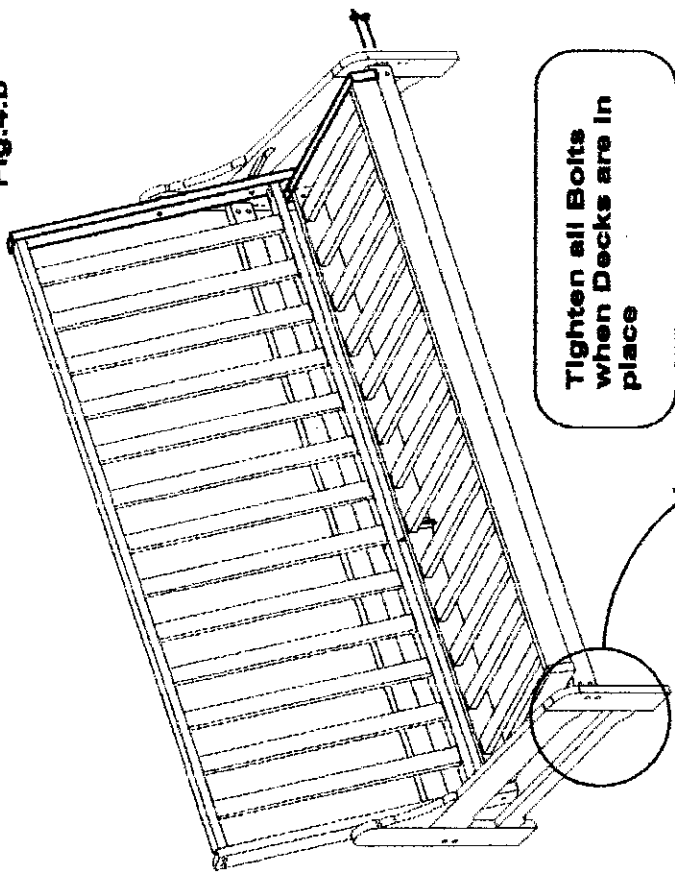


Figure 3C

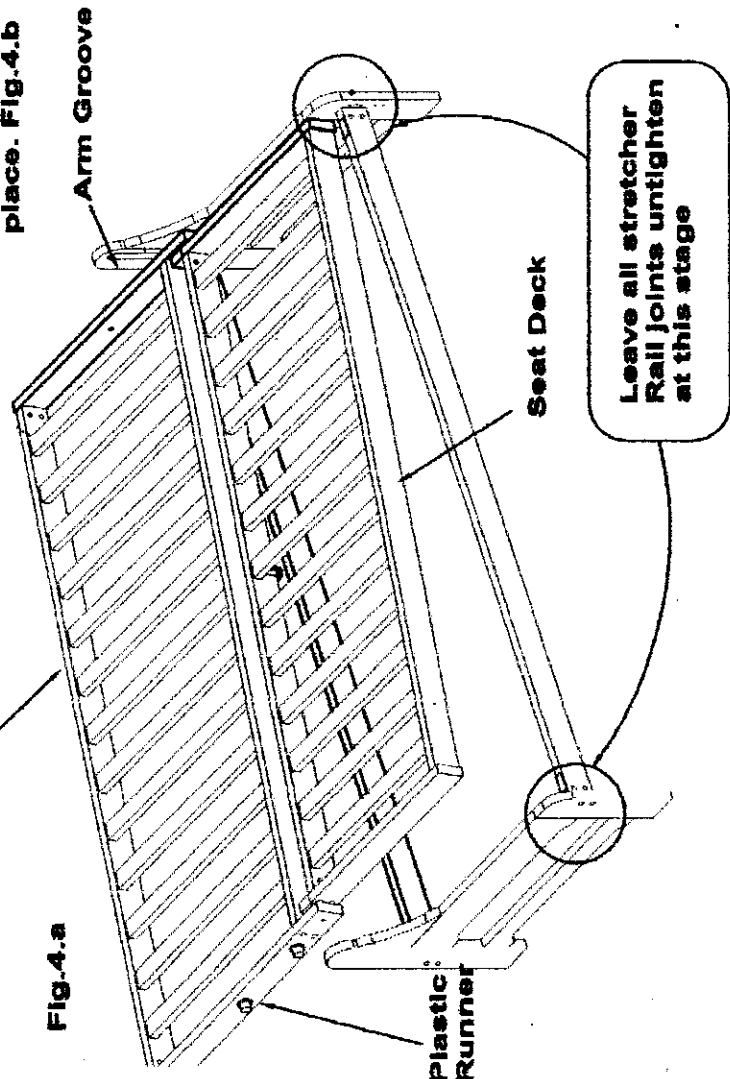
4.b. Tightening the Bolts

Once the Decks are in place, tighten all the bolt and secure the Bi-fold Body in place. Fig.4.b

Fig.4.b



Tighten all Bolts when Decks are in place



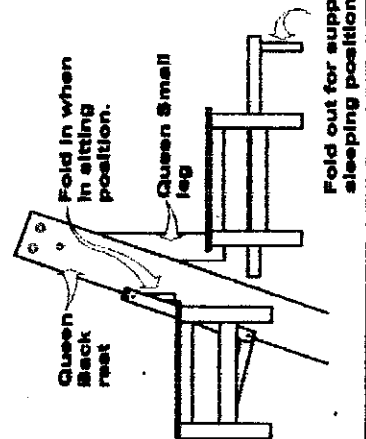
Leave all stretcher Rail joints untighten at this stage

Fig.4.a

4.a. Placing the assembled Decks between the arms

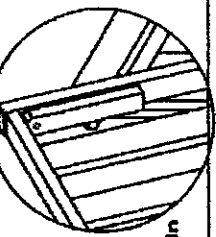
This step can be tricky and would two more people. Place the assemble decks between the Arms. Ease in one end of Plastic Runner into the grooves first and then gently lower position the other end and fit the Plastic Runners into the grooves of the Arm. Make sure their rear side (with slat support) is facing downwards. Fig. 4

FOR QUEEN SIZE ONLY ATTACH SMALL LEG

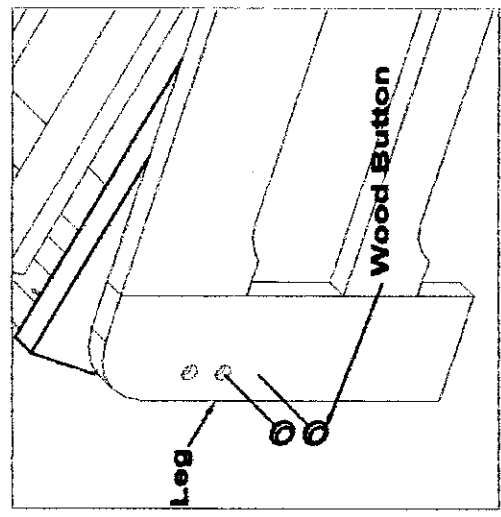


IMPORTANT :

Orientation of the Queen Small Leg, note that the exposed part of the metal nut in the leg should be oriented away from the bolt for proper assembly.



Fold out for support in sleeping position.



Once the Bi-fold Body is assembled to the Arm, install the Wood Button into Arms to cover the bolt holes.

CHAIN SUPPORT FUNCTION

Figure 1a

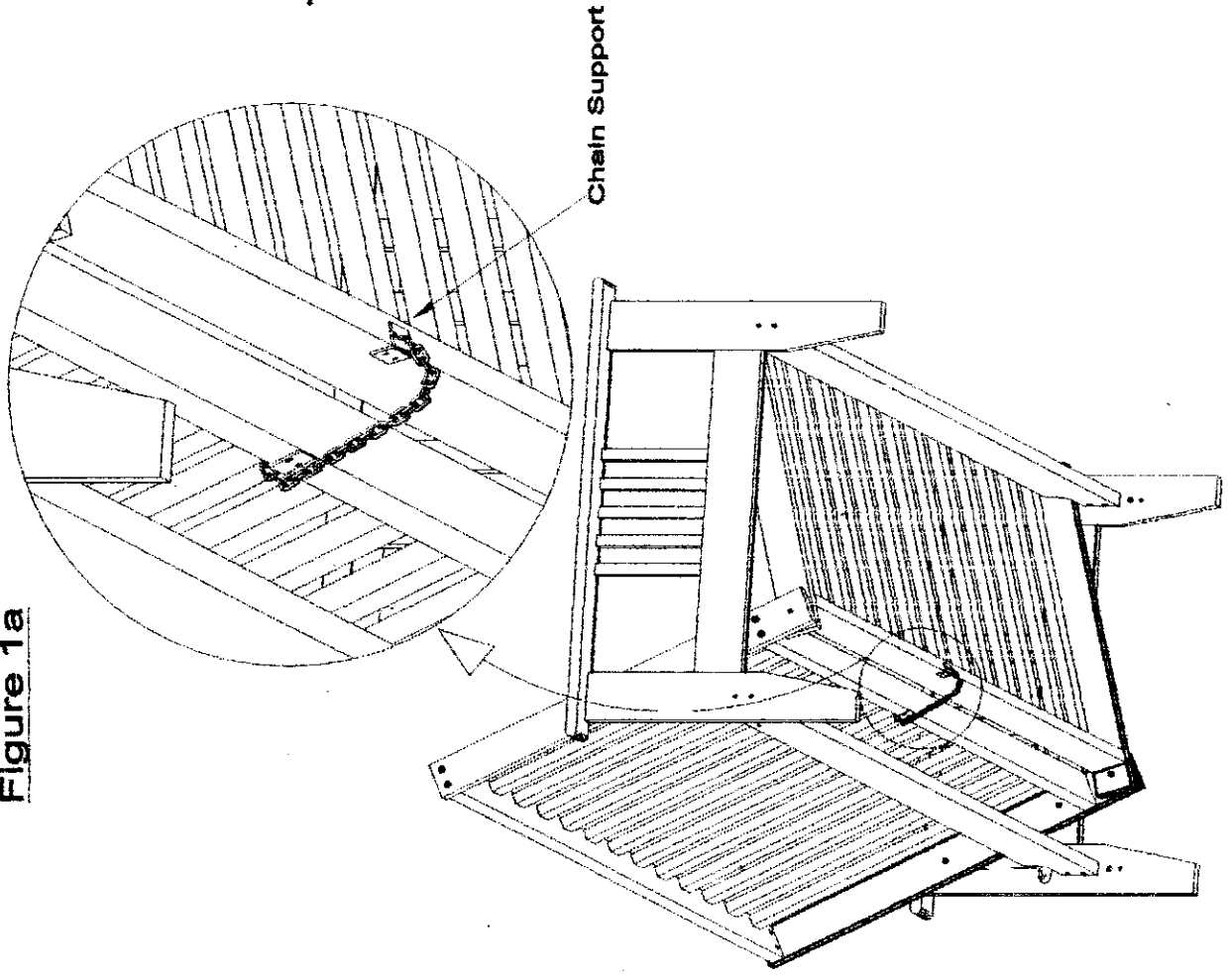
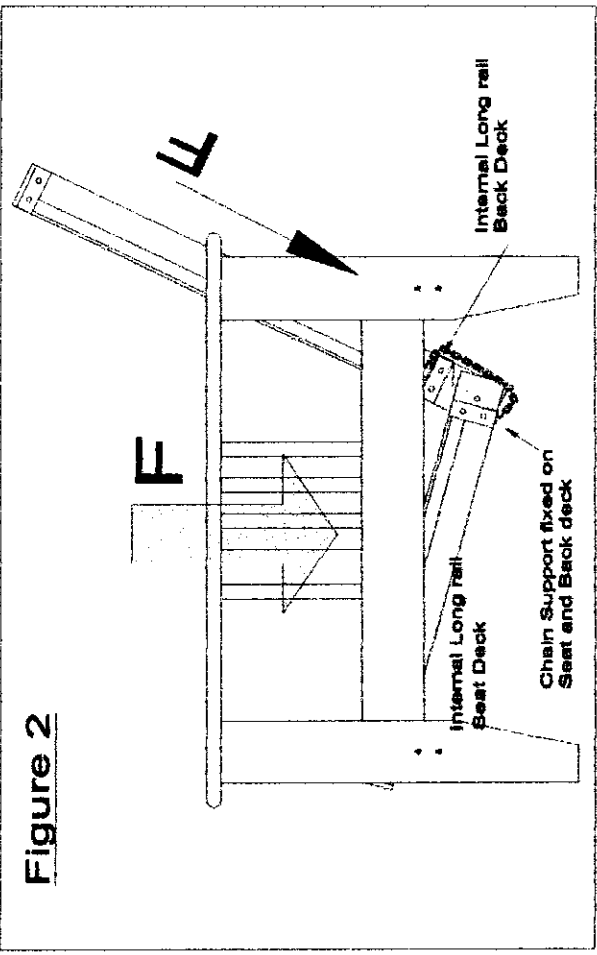


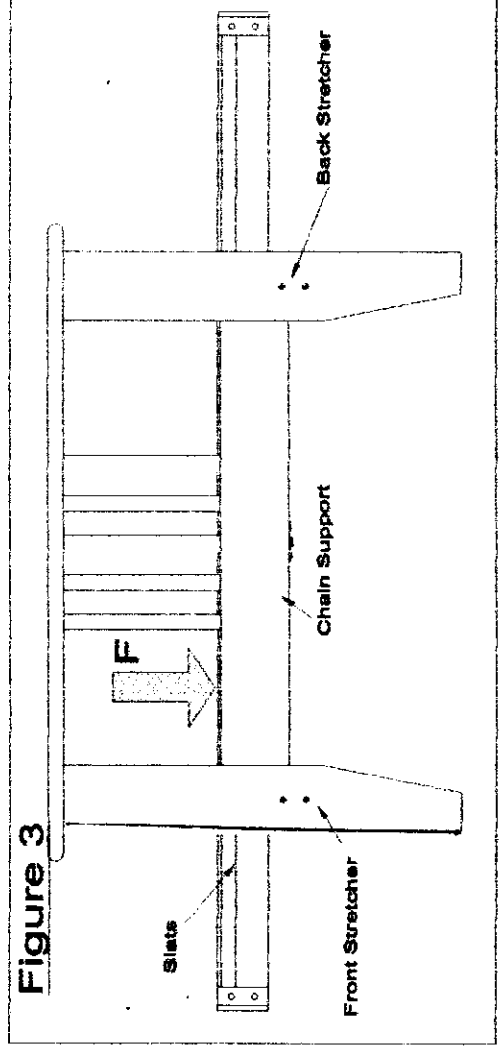
Figure 1

Figure 2



Note: When Force (F) was applied to seat deck, generally the inner long rail will be slightly bent. To prevent that thing, Therefore we are using chain support to share that force with the inner and outer long rail back deck.

Figure 3



When the Futon Frame in bed position, all slat supported by Stretcher rails.