

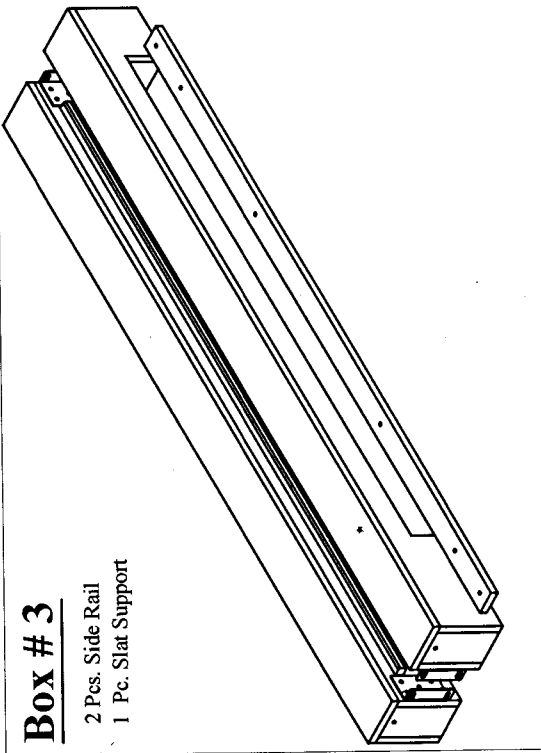
COPENHAGEN BED

Bed Assembly Instructions

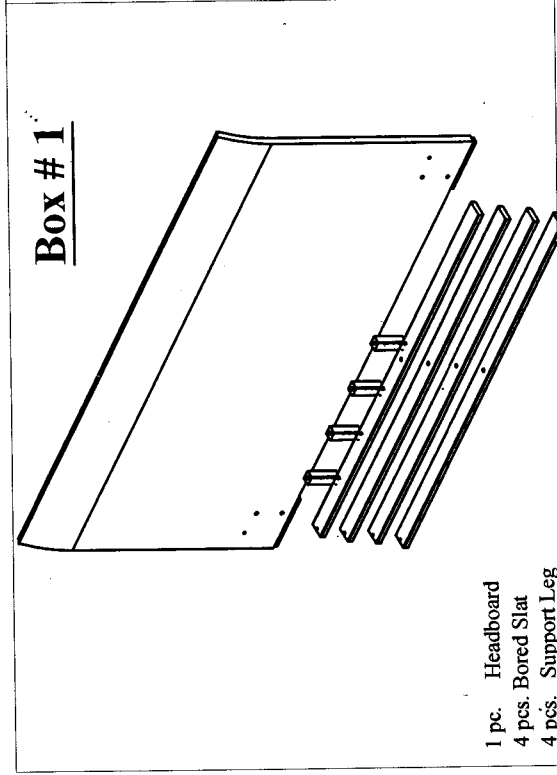
Hardware Pack in Box # 1

M8 x 40 mm 4 pcs
 Washer M8 12 pcs
 M6 X 40 4 pcs
 Washer M6 2 pcs
 5 mm Allen Key 1 pc
 4 mm Allen Key 1 pc
 Nuts - 4 pcs
 Wrench - 1 pc
 32 mm Screw - 8 pcs

32 mm Screw - 20 pcs
 (wrapped in separate Plastic bag)
 Optional Slats Box

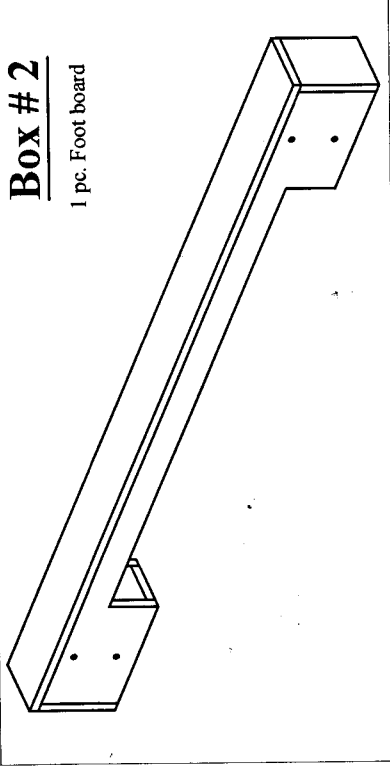


Box # 3
 2 Pcs. Side Rail
 1 Pc. Slat Support



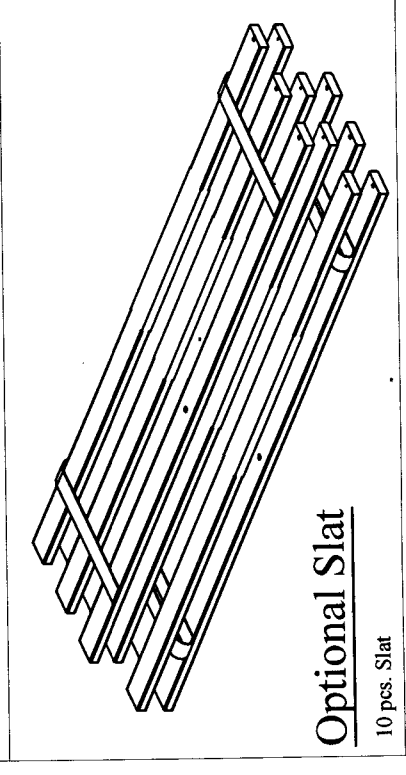
Box # 1

1 pc. Headboard
 4 pcs. Bored Slat
 4 pcs. Support Leg



Box # 2

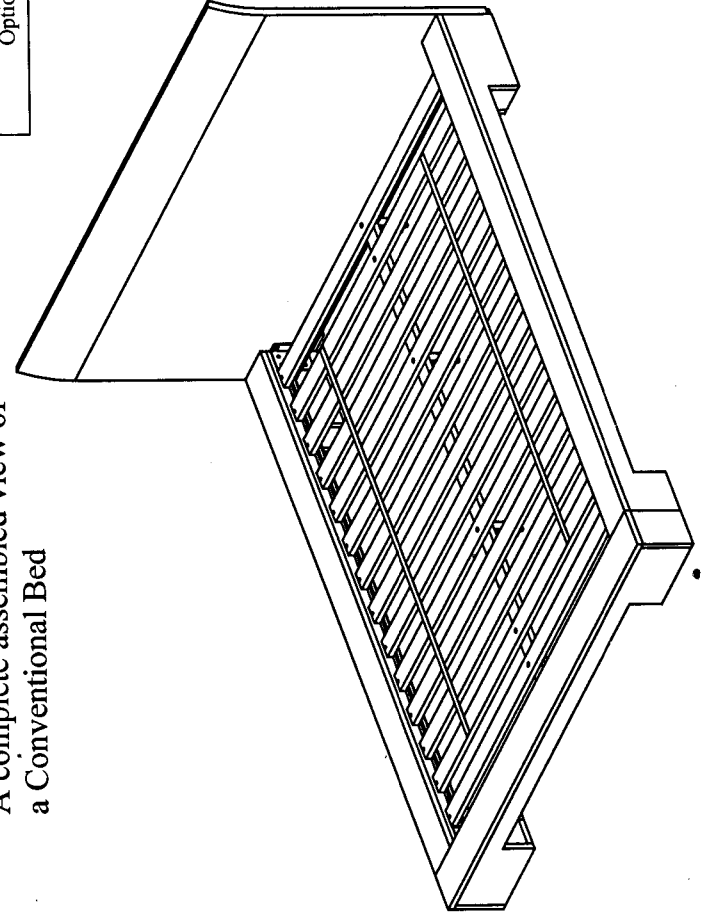
1 pc. Foot board



Optional Slat

10 pcs. Slat

A complete assembled view of a Conventional Bed



COPENHAGEN BED

Bed Assembly Instructions

Step 1

Fix side rails to head board as show with the M8x40 mm, M6x40 mm-bolts, washers and nuts
 Fix foot board to side rails as shown using the M8 x 20 mm bolts and washers.

Step 2

Place the conventional slats, slat supports and legs as shown using the M6x70mm bolts.
 Use the two M6 x 40mm bolts to attach the second outer slat to the slat support.
 After tightening all the bolts, screw the slats in place on to the side rails with the woodscrews provided as shown.

