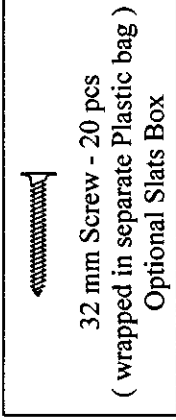
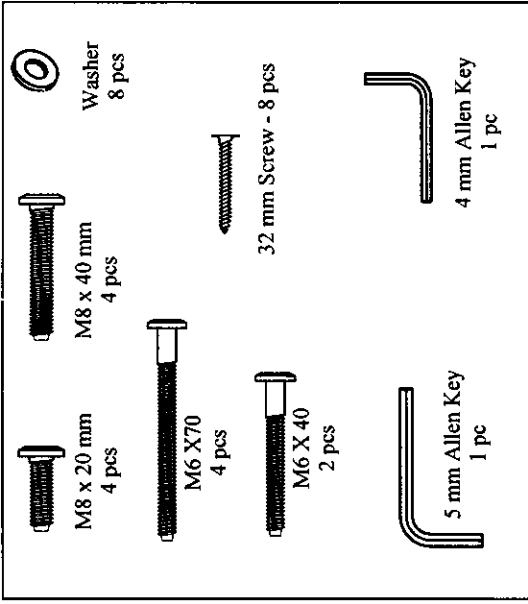


# Bed Assembly Instructions

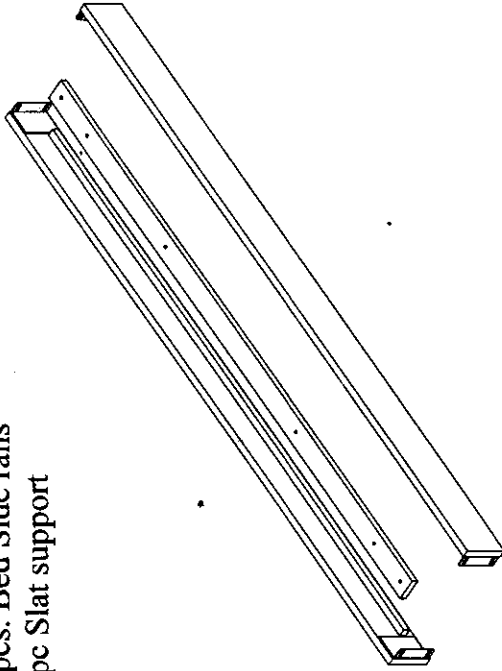
## COLORADO BED

Hardware Pack in Box # 1

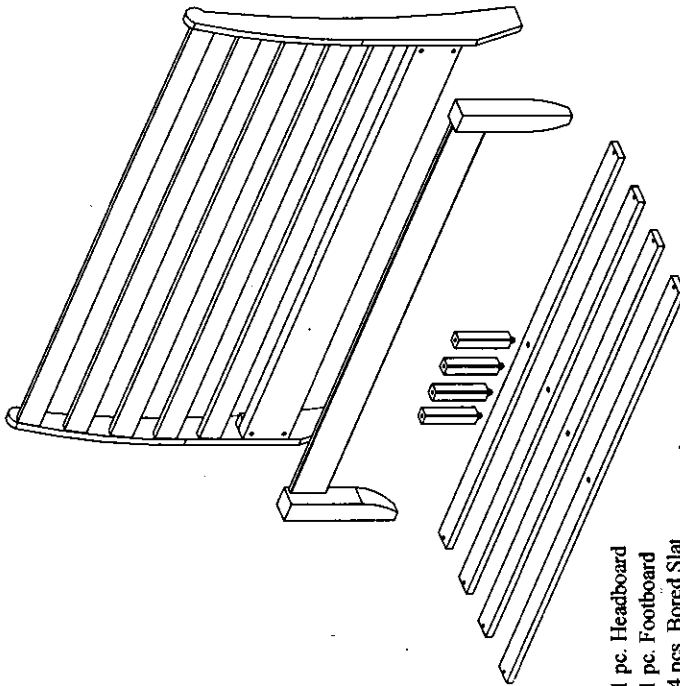


### Box # 2

2 pcs. Bed Side rails  
1 pc Slat support

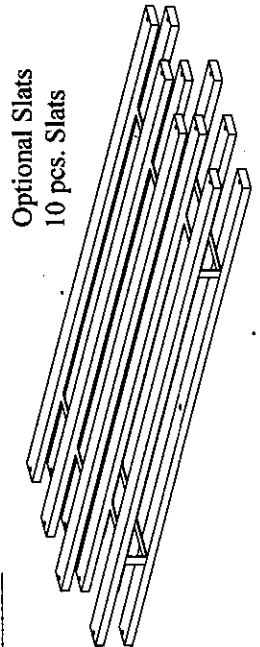


### Box # 1

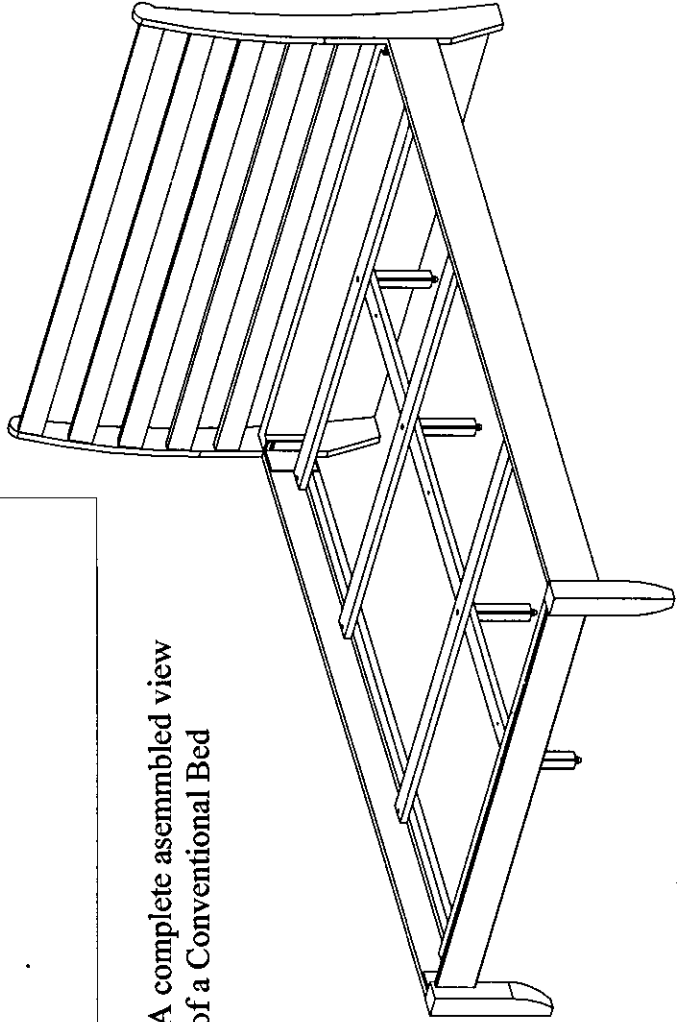


1 pc. Headboard  
1 pc. Footboard  
4 pcs. Bored Slat  
4 pcs. Support Leg

### Box # 3



A complete assembled view  
of a Conventional Bed



# COLORADO BED

## Bed Assembly Instructions

### Step 1

Fix side rails to head board as shown with the M8 x 40 mm bolts and washers.  
 Fix foot board to side rails as shown using the M8 x 20 mm bolts and washers.

### Step 2

Place the slats, slat supports and legs as shown using the M6 x 70 mm bolts and barrel nuts provided to secure the support legs to the slats and slats support. Use the two M6 x 40 mm bolts to attach the second outer slat to the slat support.  
 After tightening all the bolts, screw the slats in place on to the side rails with the wood screws provided as shown.

