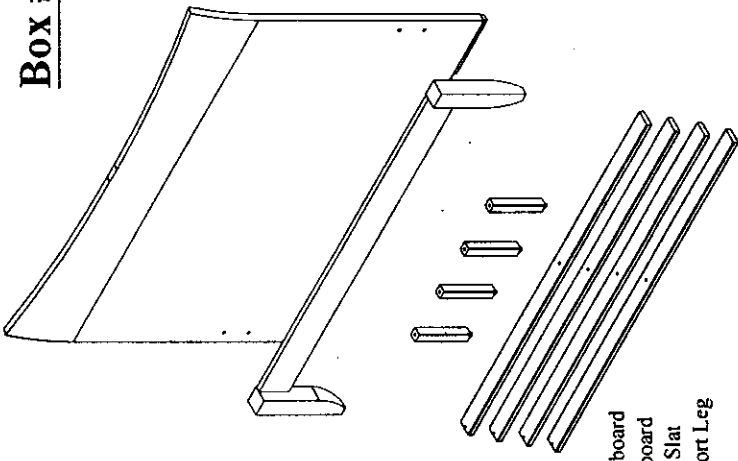


ULTRA BED

Bed Assembly Instructions

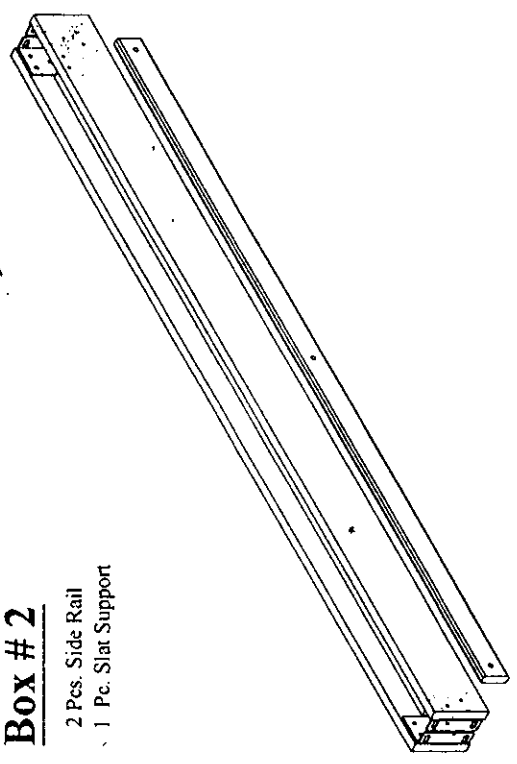
Box # 1



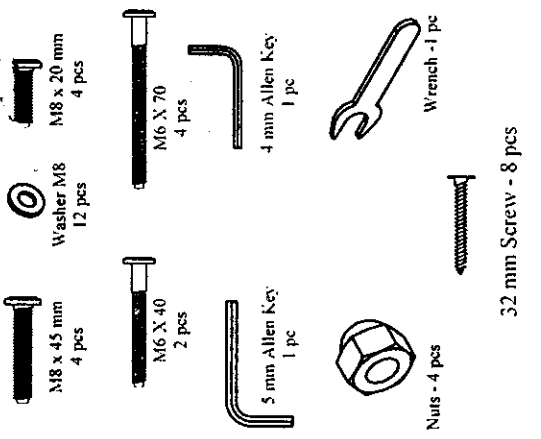
- 1 pc. Headboard
- 1 pc. Footboard
- 4 pcs. Bored Slat
- 4 pcs. Support Leg

Box # 2

- 2 Pcs. Side Rail
- 1 Pc. Slat Support



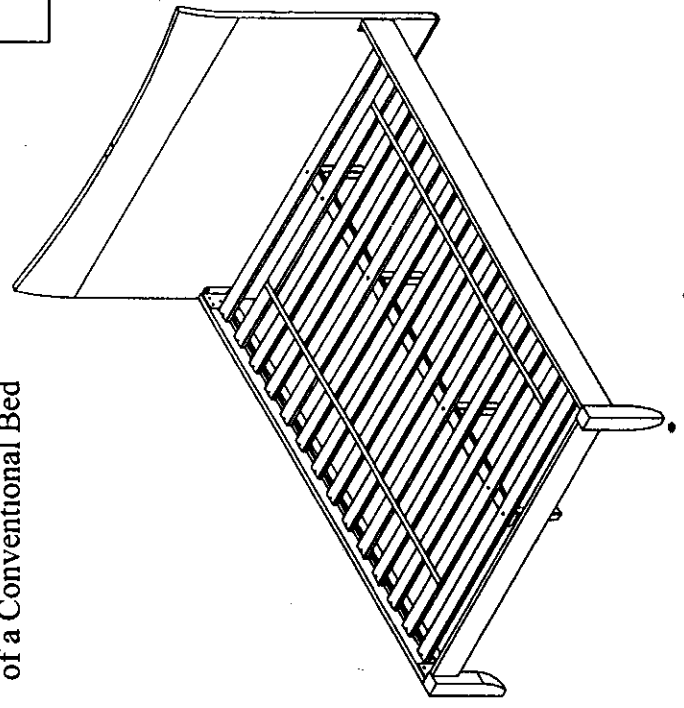
Hardware Pack in Box # 1



32 mm Screw - 8 pcs

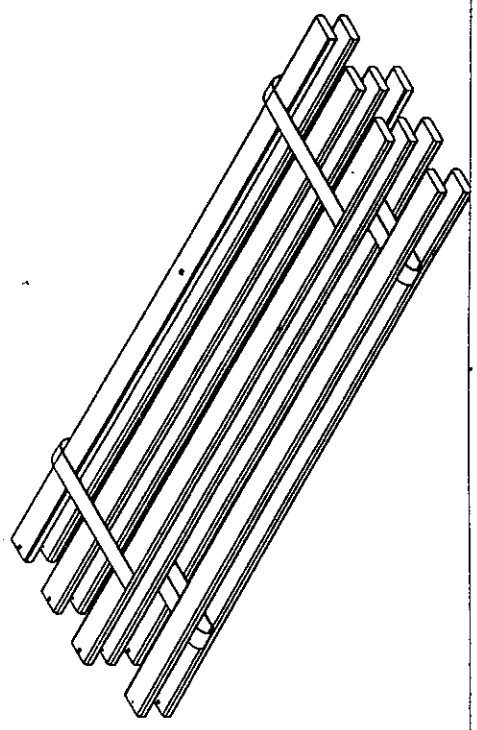
32 mm Screw - 20 pcs
(wrapped in separate Plastic bag)
Optional Slats Box

A complete assembled view of a Conventional Bed



Optional Slat

10 pcs. Slat



Step 1

Fix side rails to head board as show with the M8x45 mm bols, washers and nuts. Fix foot board to side rails as shown using the M8 x 20 mm bols and washers.

Step 2

Place the conventional slats, slat supports and legs as shown using the M6x70mm bols. Use the two M6 x 40mm bols to attach the second outer slat to the slat support. After tightening all the bols, screw the slats in place on to the side rails with the woodscrews provided as shown.

