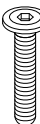
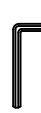
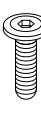

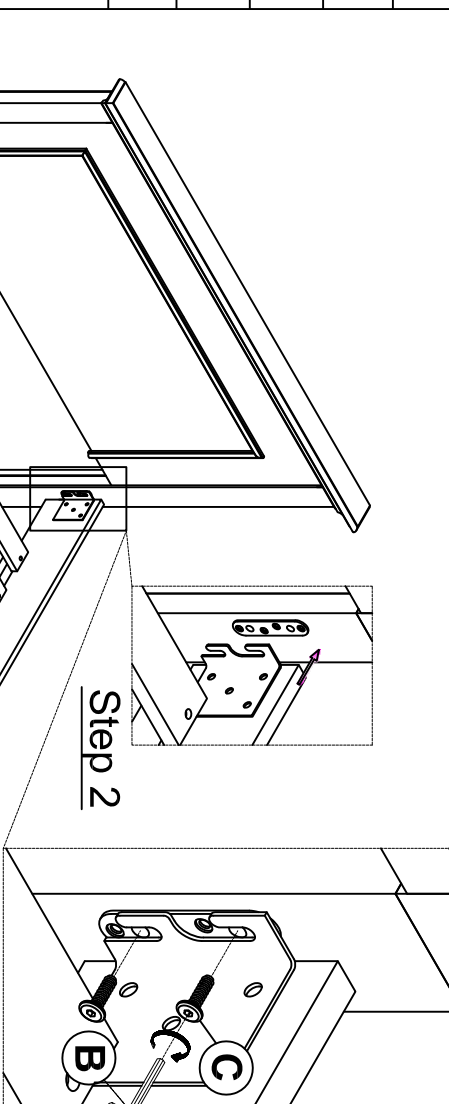


# ASSEMBLY INSTRUCTION

## Model: 243 FULL BED

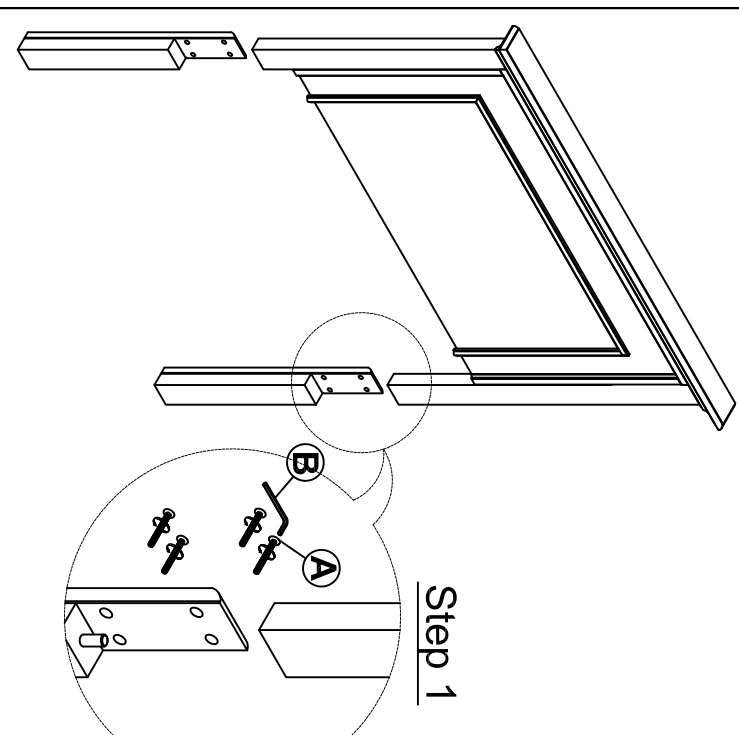
### Hardware List

<b>A</b>		Bolt Ø1/4"×30mm	12pcs
<b>B</b>		Allen key	1pcs
<b>C</b>		Bolt Ø5/16×20	8pcs
<b>D</b>		Screw Ø4×30	24pcs

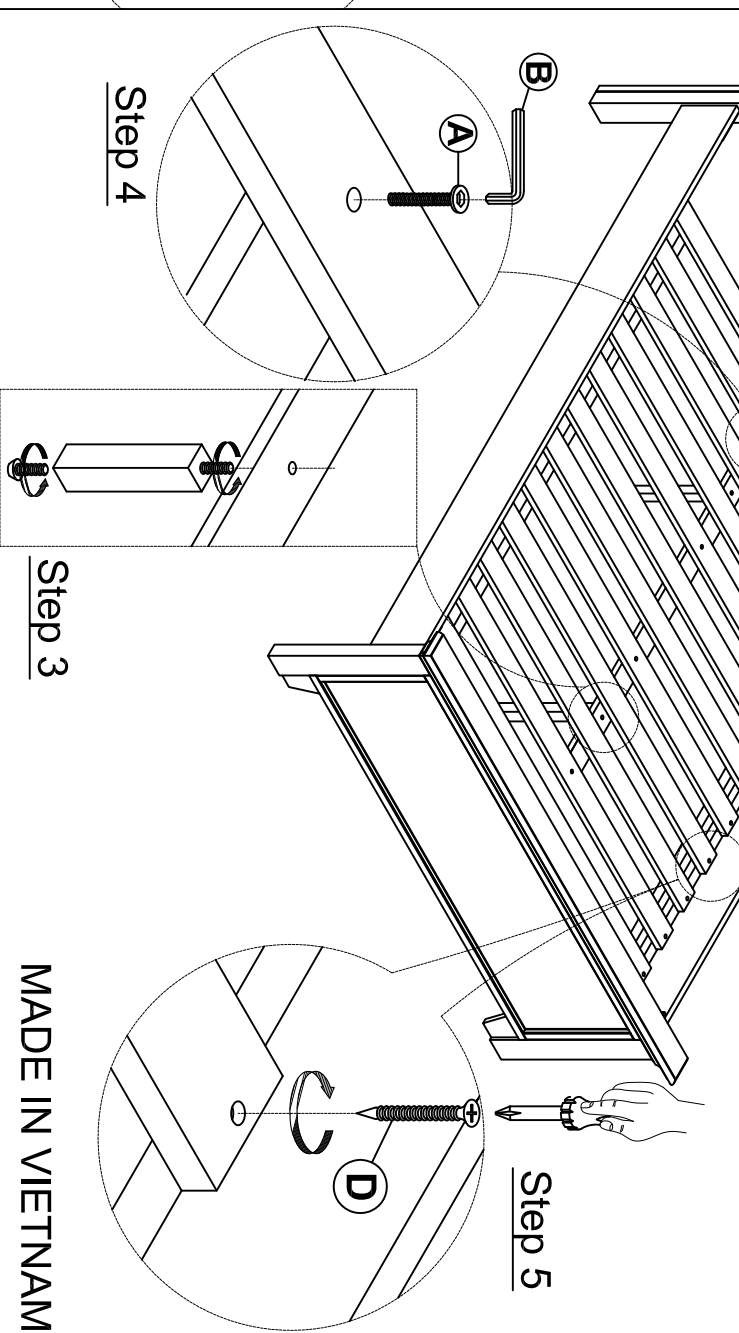


Step 2

Step 5



Step 1



Step 4

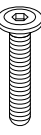

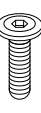

Step 3

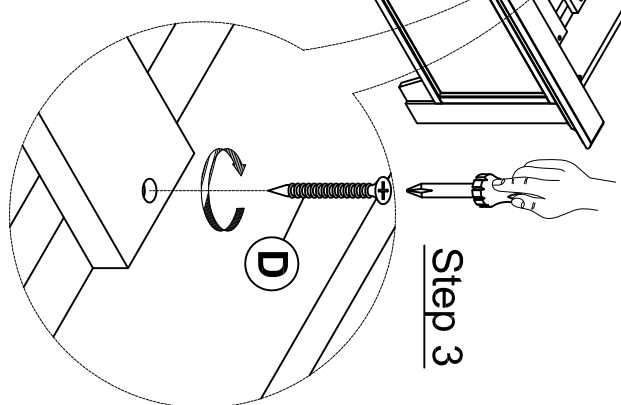
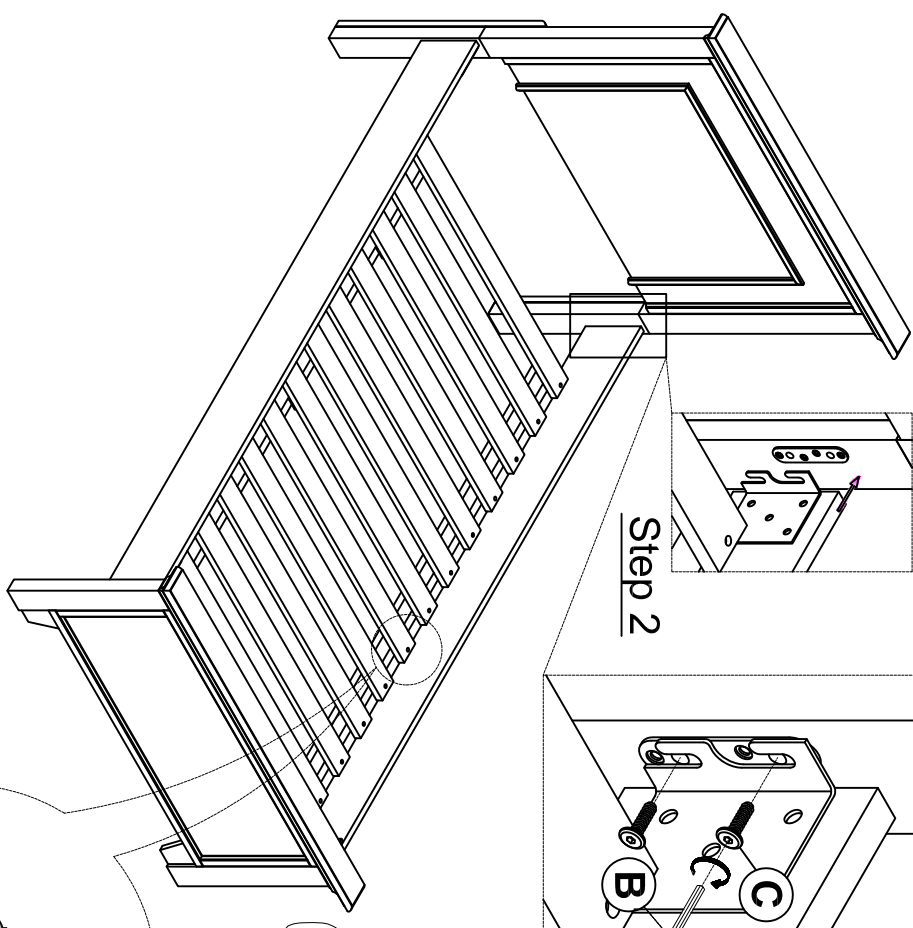
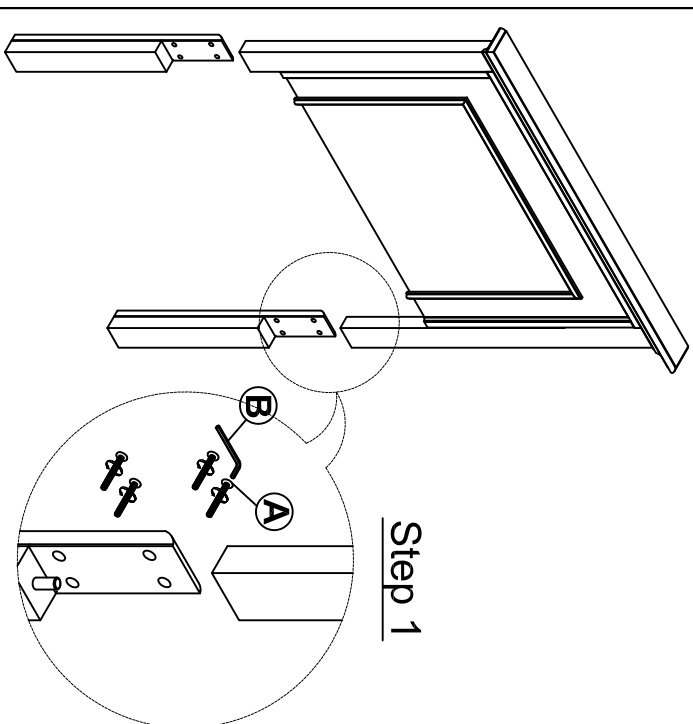
MADE IN VIETNAM

# ASSEMBLY INSTRUCTION

## Model: 243 TWIN BED

### Hardware List

<b>A</b>		Bolt $\varnothing 1/4'' \times 30\text{mm}$	8pcs
<b>B</b>		Allen key	1pcs
<b>C</b>		Bolt $\varnothing 5/16'' \times 20$	8pcs
<b>D</b>		Screw $\varnothing 4'' \times 30$	24pcs



MADE IN VIETNAM