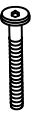



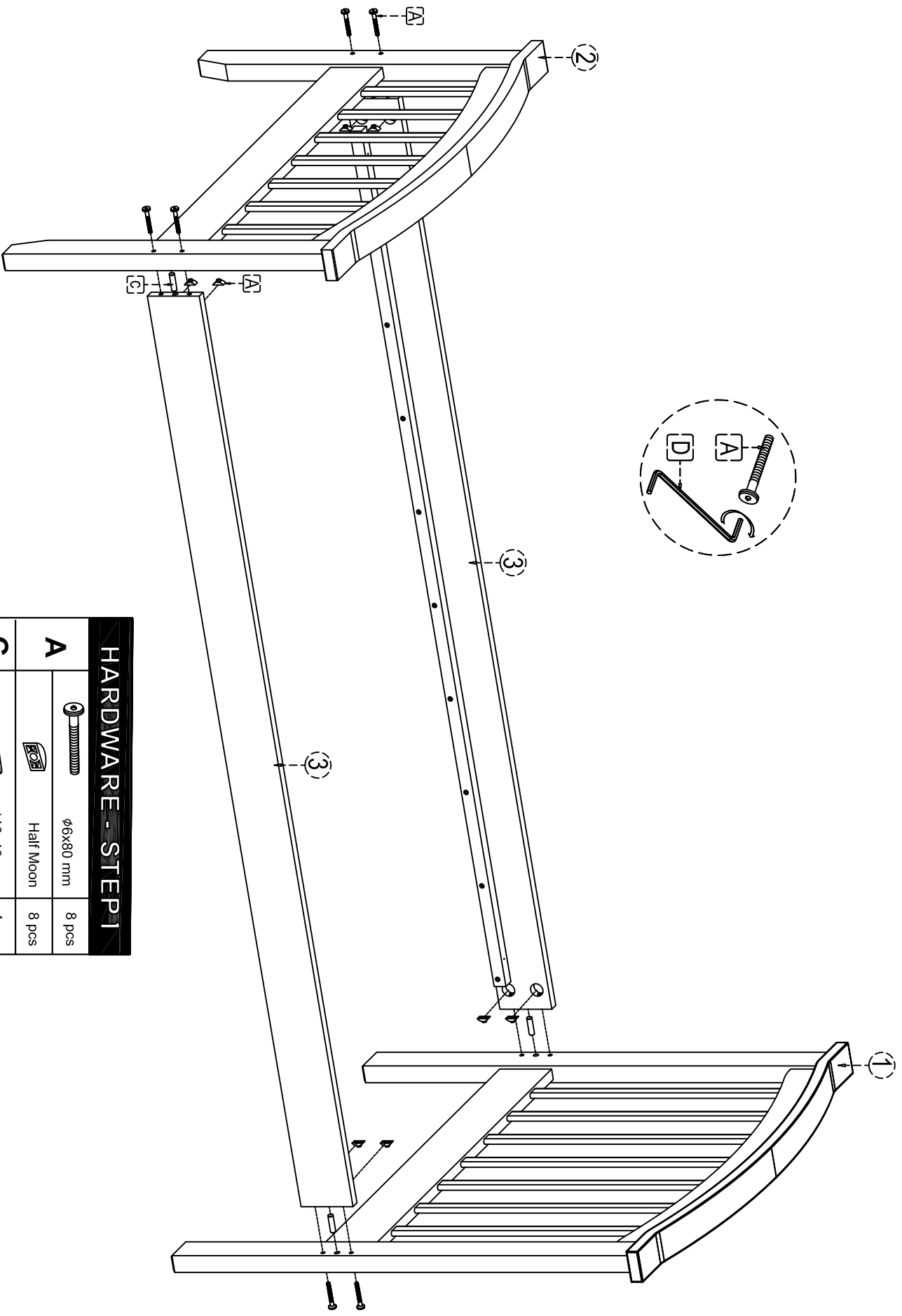


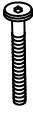



COMPLETE HARDWARE LIST

A		φ6x80 mm	8 pcs
B		Half Moon	8 pcs
C		φ4x30 mm	8 pcs
D		Allen Key	1 pc

Step 1

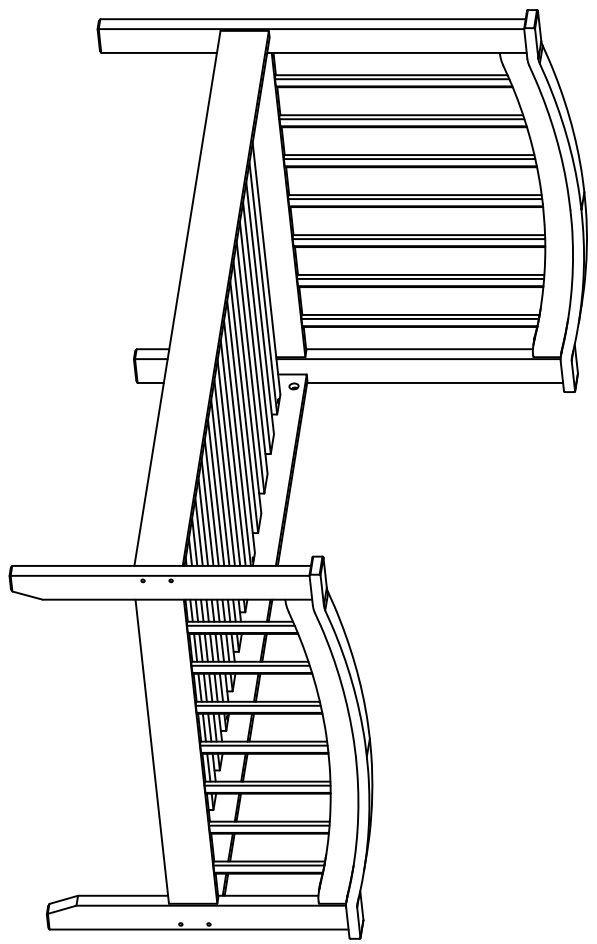
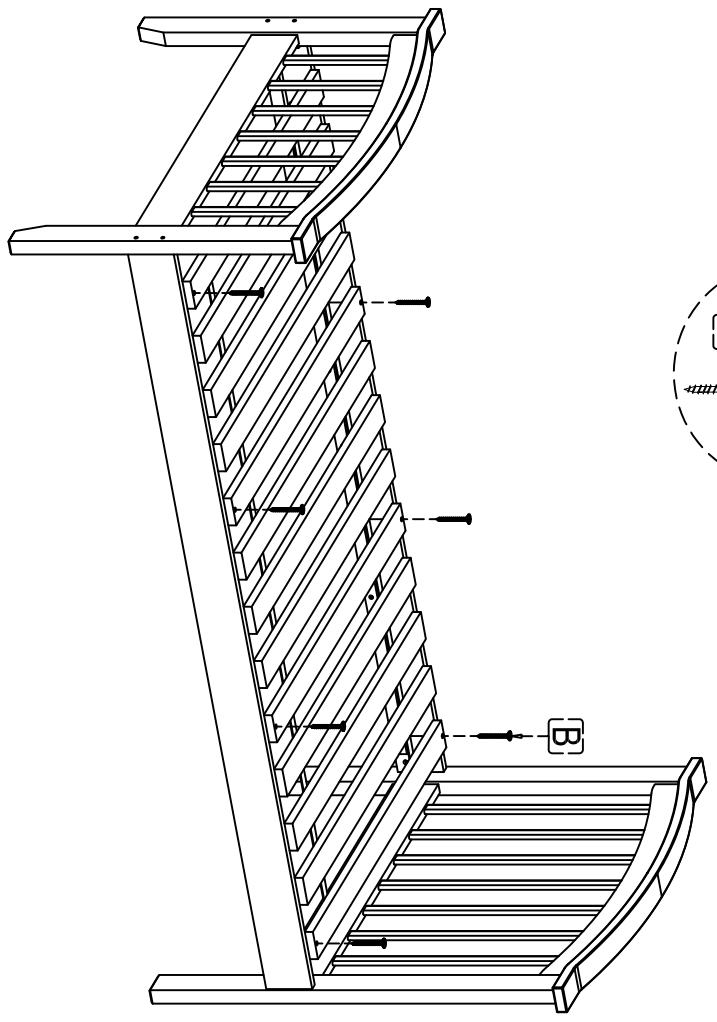
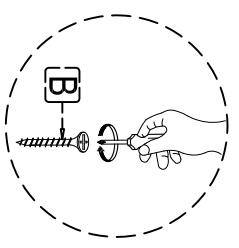


HARDWARE - STEP 1

A		φ6x80 mm	8 pcs
C		Half Moon	8 pcs
D		φ10x40 mm	4 pcs
		Allen Key	1 pc

Step 2

FINAL



HARDWARE - STEP 2		
B		$\phi 4 \times 30$ mm
		8 pcs