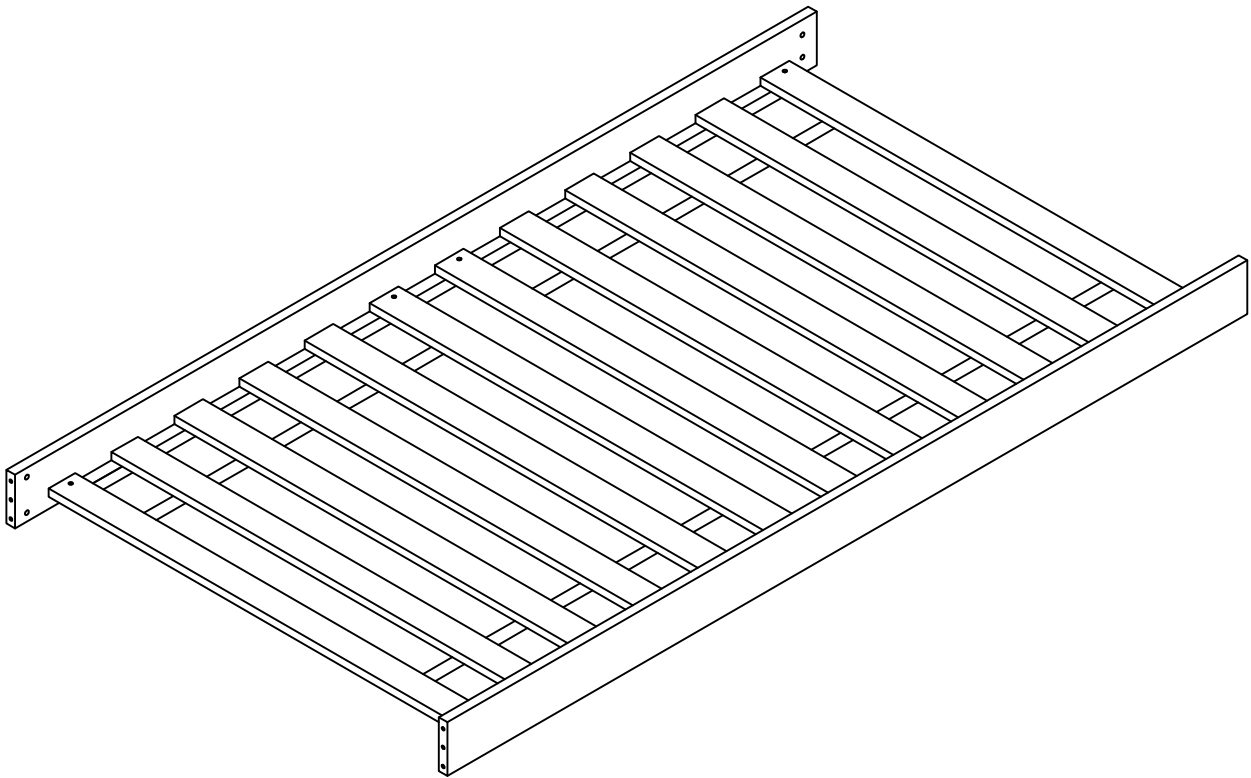


ASSEMBLY INSTRUCTIONS - MODULAR LOFT LOWER BUNK BED

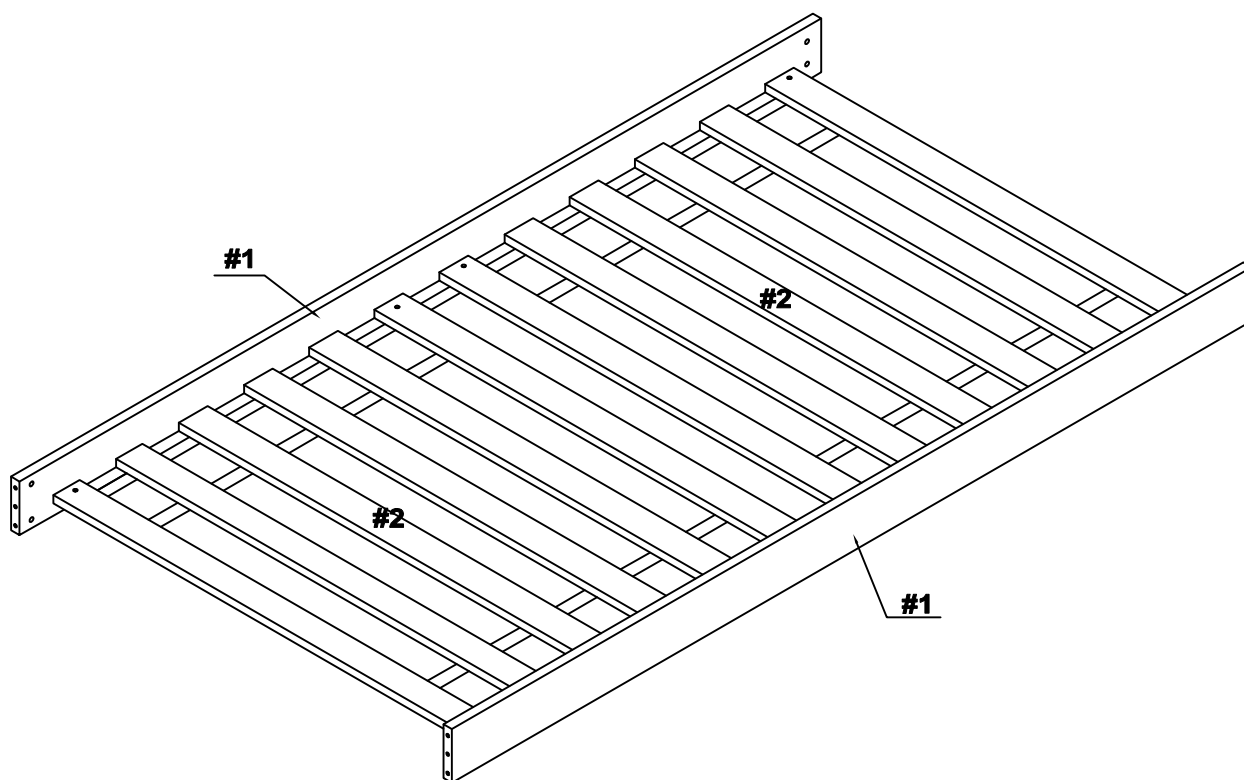
ITEM # 1208

BOX : 8



## PARTS IDENTIFICATION



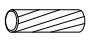
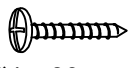
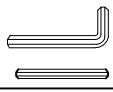

ITEM	DESCRIPTION	QTY
#1	BED RAIL	02
#2	SLAT	02Sets



## ASSEMBLY INSTRUCTIONS - MODULAR LOFT LOWER BUNK BED

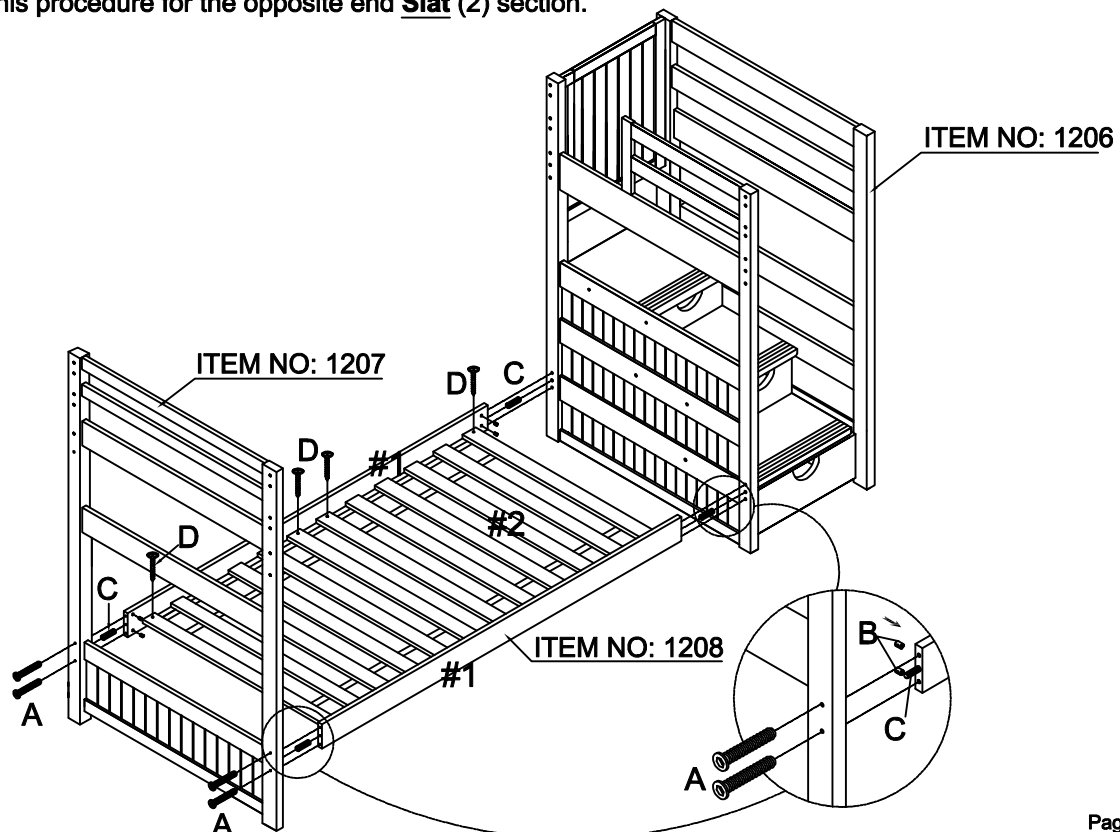
ITEM # 1208

BOX : 8

A		Qty: 8	B		Qty: 8	C		Qty: 4	D		Qty: 8
	1/4" x 80 mm Allen Bolt			1/4"x13mm Barrel Nut			Ø10 x 40mm Wooden Dowel			Ø4 x 30 mm Wood Screw	
E		Qty: 1									
		Qty: 1									
Allen Key											

**IMPORTANT: This assembly process will require at least two people to complete properly.**

- Complete assembly of "Loft Stair section" Box 6 and open the Loft Bunk Support Panel in Box 7 before beginning this assembly process.
- Lay the **Bed Rails (1)** on the floor in between the Loft Bunk Support Panel #1207 and the Loft Stair section #1206 and organize them in a similar configuration to assembly diagram.
- Insert the **Wooden Dowels (C)** in the ends of the **Bed Rails (1)**
- Align these **Wooden Dowels (C)** with the holes in the ends of the Loft Bunk Support Panel #1207 and the Loft Stair section #1206 and insert.
- Insert the **Barrel Nuts (B)** into the holes on the inside of the **Bed Rails (1)**.
  - Make sure that the hole in the side of the **Barrel Nuts (B)** faces toward the end of the rails.
- Insert the **Allen Bolts (A)** through the Loft Bunk Support Panel #1207 and through the Loft Stair section #1206 and into **Barrel Nuts (B)** one at a time and tighten.
  - NOTE: Assemble one end of the Bed at a time.
- Lay the two sets of **Slats (2)** on the Support Cleat attached to the inside of the **Bed Rails (1)**.
- Align the edge of the first **Slat (2)** closest to the Loft Bunk Support Panel #1207 and the Loft Stair section #1206 flush with the end of the Support Cleat on the inside of the **Bed Rails (1)**.
- Insert **Wood Screws (D)** through the holes in the ends of this first **Slat (2)** and tighten while keeping the outside edge of the **Slat (2)** and the end of the Support Cleat flush with each other.
- Stretch the slat section toward the center of the Bed until tight.
- Insert **Wood Screws (D)** through the holes in the ends of this last **Slat (2)** and into the Support Cleat and tighten.
- Repeat this procedure for the opposite end **Slat (2)** section.

Page 3 of 3  
Made in VietNam