



MODULAR LOFT BUNK SUPPORT PANEL

SAFETY WARNINGS

1. Follow the information on the warnings appearing on the upper bunk end structure and on the carton. Do not remove warning label from bed.
2. Always use the recommended size mattress or mattress support, or both, to help prevent the likelihood of entrapment or falls.
3. Surface of mattress must be at least 5 inches (127mm) below the upper edge of guardrails.
4. Do not allow children under 6 years of age to use the upper bunk.
5. Prohibit more than one person on the upper bunk
6. Periodicall, check and ensure that the guardrail, ladder, and other components are in their proper position, free from damage, and that all connectors are tight.
7. Do not allow horseplay on or under the bed and prohibit jumping on the bed.
8. Always use the ladder for entering and leaving the upper bunk.
9. Do not use substitute parts. Contact the manufacturer or dealer for replacement parts.
10. Use of a nightlight may provide added safety precaution for a child using the upper bunk.
11. Always use guardrail on both long sides of the upper bunk. If bunk bed will be placed next to the wall, the guardrail that runs the full length of the bed should be place against the wall to prevent entrapment between the bed and wall.
12. The use of water or sleep flotation mattresses is prohibited.
13. Keep these instruction for future reference.

STRANGULATION HAZARD

Never attach or hang items to any part of the bunk bed that are not designed for use with the bed;including, but not limited to, hooks, belts and jump ropes

SIZE OF MATTRESS AND FOUNDATION

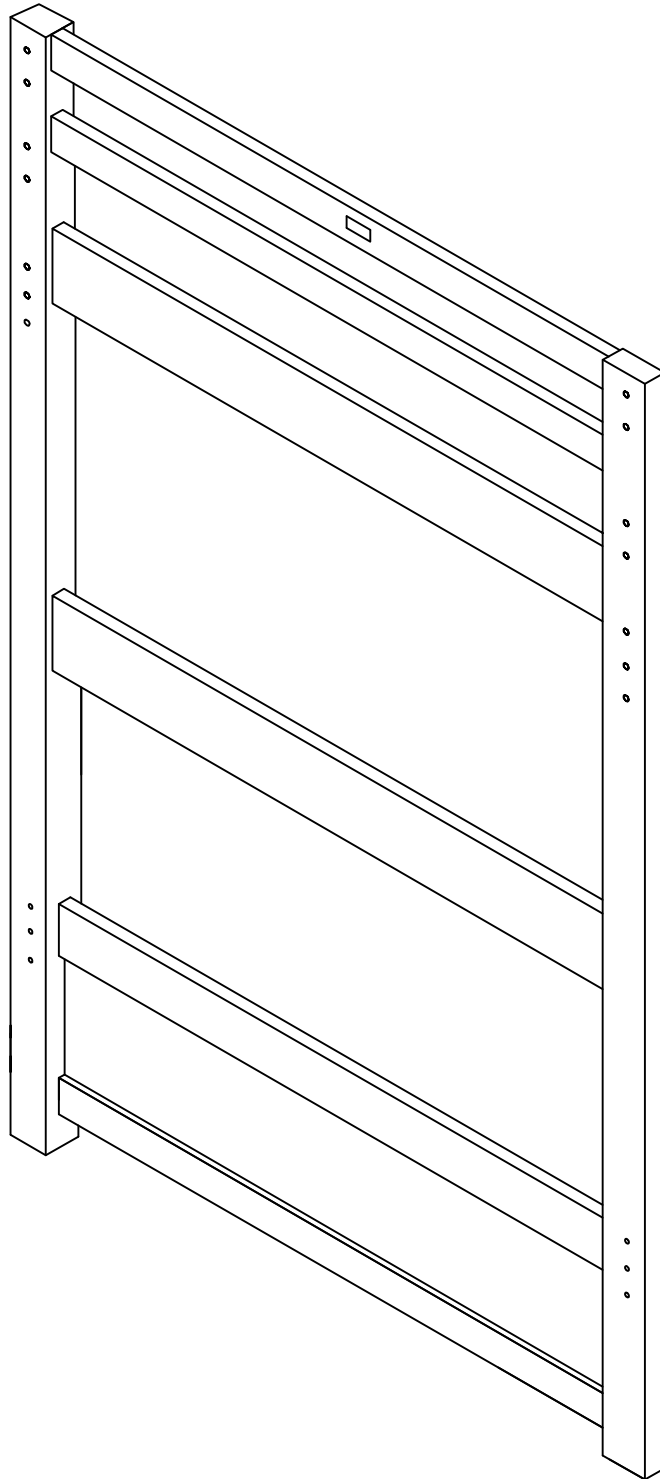
Use only mattress, foundation and deck combined which is 74-75 inches long and 37 ½-38 ½ inches wide on twin upper bunk or 53-54 inches wide on full upper bunk. Ensure thickness of mattress and foundation combined does not exceed 9 inches and the mattress is at least 5 inches below upper edge of guardrails

Replacement parts, may be obtained from any Donco dealer or directly from us at the below address.

**DONCO TRADING COMPANY
Fort Worth, Texas 76140**

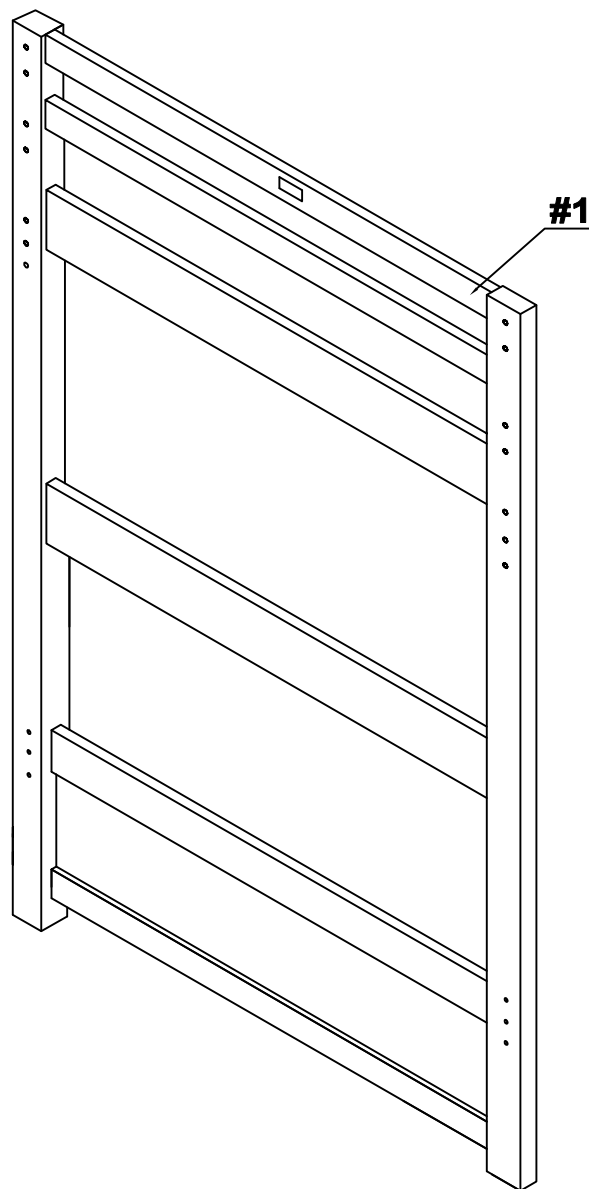
ASSEMBLY INSTRUCTIONS - MODULAR LOFT BUNK SUPPORT PANEL

ITEM # 1207
BOX : 7



PARTS IDENTIFICATION

ITEM	DESCRIPTION	QTY
#1	BUNK SUPPORT PANEL	01



This Loft Component is packed without its own hardware.

All of the hardware required to assemble this component into different configurations are in Box #3 and / or Box #8.



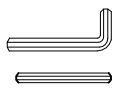

IMPORTANT: This assembly process will require at least two people to complete properly.

ASSEMBLY INSTRUCTIONS - MODULAR LOFT BUNK SUPPORT PANEL

ITEM # 1207

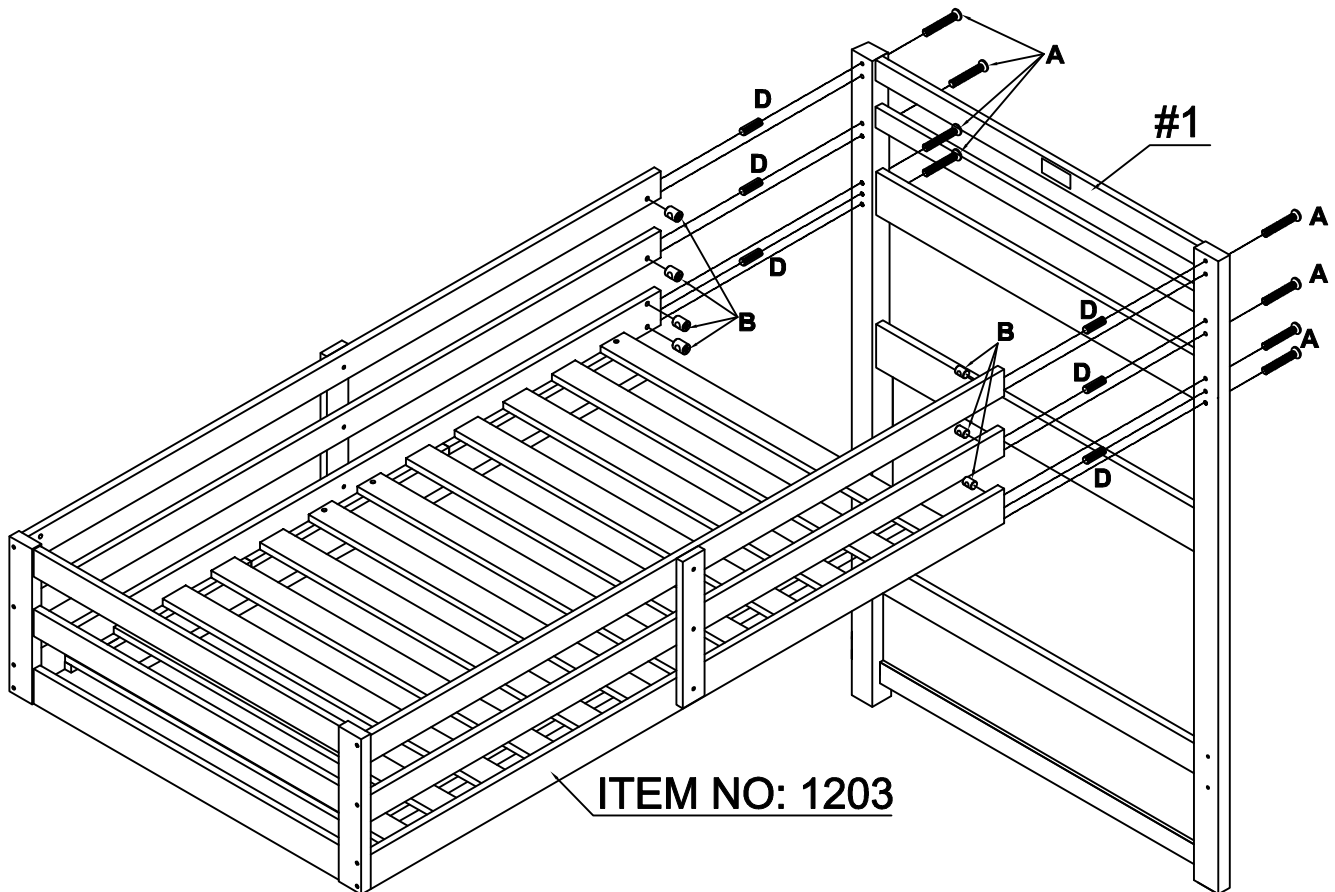
BOX : 7

USE HARDWARE ITEM # 1203 / BOX 3

A		Qty:08	B		Qty: 08	C		Qty: 1 Qty: 1	D		Qty:06
	1/4" x 80 mm			1/4"x13mm			Allen Key			Wooden Dowel	
Large Allen Bolt		Barrel Nut		Allen Key		Wooden Dowel					

To assemble to Box #3 Rails and Top Bunk Slats:




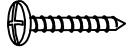
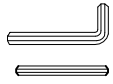

- Insert **Wooden Dowels (D)** in the ends of the **Guardrails (2)** and **Bed Rails (4)**.
- Align these **Wooden Dowels (D)** with the holes in the ends of the **Bunk Support Panel (1)** and insert.
- Insert the **Barrel Nuts (B)** into the holes on the inside of the **Guardrails (2)** and **Bed Rails (4)**.
 - o Make sure that the hole in the side of the **Barrel Nuts (B)** faces toward the end of the Rails.
- Insert the **Large Allen Bolts (A)** through the **Bunk Support Panel (1)**, and into the **Barrel Nuts (B)** in the **Guardrails (2)** and **Bed Rails (4)** one at a time, and tighten.



ASSEMBLY INSTRUCTIONS - MODULAR LOFT BUNK SUPPORT PANEL

ITEM # 1207
BOX : 7

USE HARDWARE ITEM # 1208 / BOX 8

A		Qty:8	B		Qty: 8	C		Qty:4	D		Qty:8
	1/4" x 80 mm Large Allen Bolt			1/4"*13mm Barrel Nut			Ø10 x 40mm Wooden Dowel			Ø4 x 30 mm Screw	
E		Qty: 1									
		Qty: 1									

ITEM NO: 1206

To assemble to Box #8 Lower Loft Bunk:

- Insert the **Wooden Dowels (C)** in the ends of the **Bed Rails (1)**
- Align these **Wooden Dowels (C)** with the holes in the ends of the **Bunk Support Panel (1)** and insert.
- Insert the **Barrel Nuts (B)** into the holes on the inside of the **Bed Rails (1)**.
 - o Make sure that the hole in the side of the **Barrel Nuts (B)** faces toward the end of the rails.
- Insert the **Large Allen Bolts (A)** through the **Bunk Support Panel (1)** into the **Barrel Nuts (B)** one at a time and tighten.

