



MODULAR LOFT STAIR SECTION

SAFETY WARNINGS

1. Follow the information on the warnings appearing on the upper bunk end structure and on the carton. Do not remove warning label from bed.
2. Always use the recommended size mattress or mattress support, or both, to help prevent the likelihood of entrapment or falls.
3. Surface of mattress must be at least 5 inches (127mm) below the upper edge of guardrails.
4. Do not allow children under 6 years of age to use the upper bunk.
5. Prohibit more than one person on the upper bunk
6. Periodicall, check and ensure that the guardrail, ladder, and other components are in their proper position, free from damage, and that all connectors are tight.
7. Do not allow horseplay on or under the bed and prohibit jumping on the bed.
8. Always use the ladder for entering and leaving the upper bunk.
9. Do not use substitute parts. Contact the manufacturer or dealer for replacement parts.
10. Use of a nightlight may provide added safety precaution for a child using the upper bunk.
11. Always use guardrail on both long sides of the upper bunk. If bunk bed will be placed next to the wall, the guardrail that runs the full length of the bed should be place against the wall to prevent entrapment between the bed and wall.
12. The use of water or sleep flotation mattresses is prohibited.
13. Keep these instruction for future reference.

STRANGULATION HAZARD

Never attach or hang items to any part of the bunk bed that are not designed for use with the bed;including, but not limited to, hooks, belts and jump ropes

SIZE OF MATTRESS AND FOUNDATION

Use only mattress, foundation and deck combined which is 74-75 inches long and 37 ½-38 ½ inches wide on twin upper bunk or 53-54 inches wide on full upper bunk. Ensure thickness of mattress and foundation combined does not exceed 9 inches and the mattress is at least 5 inches below upper edge of guardrails

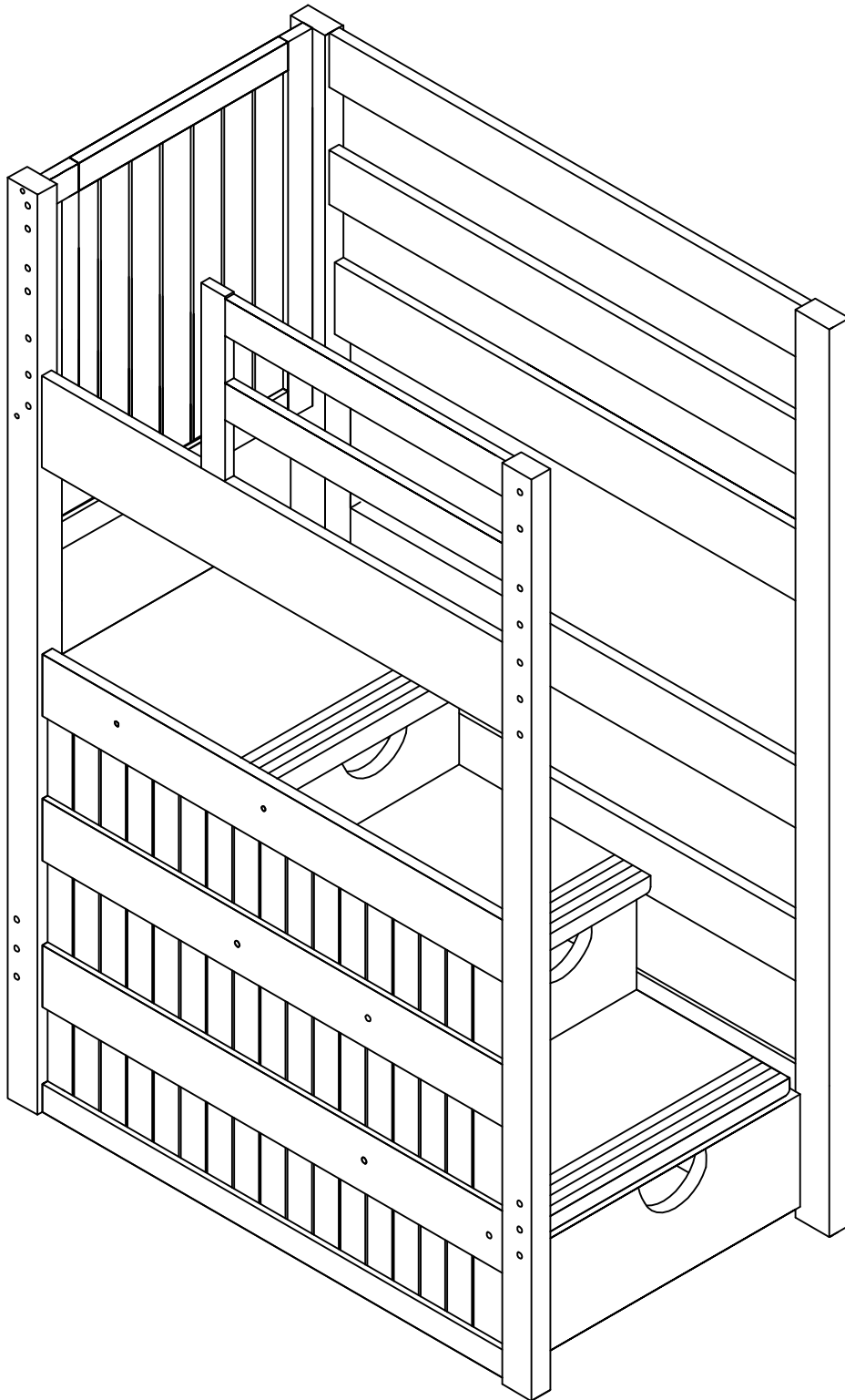
Replacement parts, may be obtained from any Donco dealer or directly from us at the below address.

DONCO TRADING COMPANY
Fort Worth, Texas 76140

ASSEMBLY INSTRUCTIONS - MODULAR LOFT STAIR SECTION

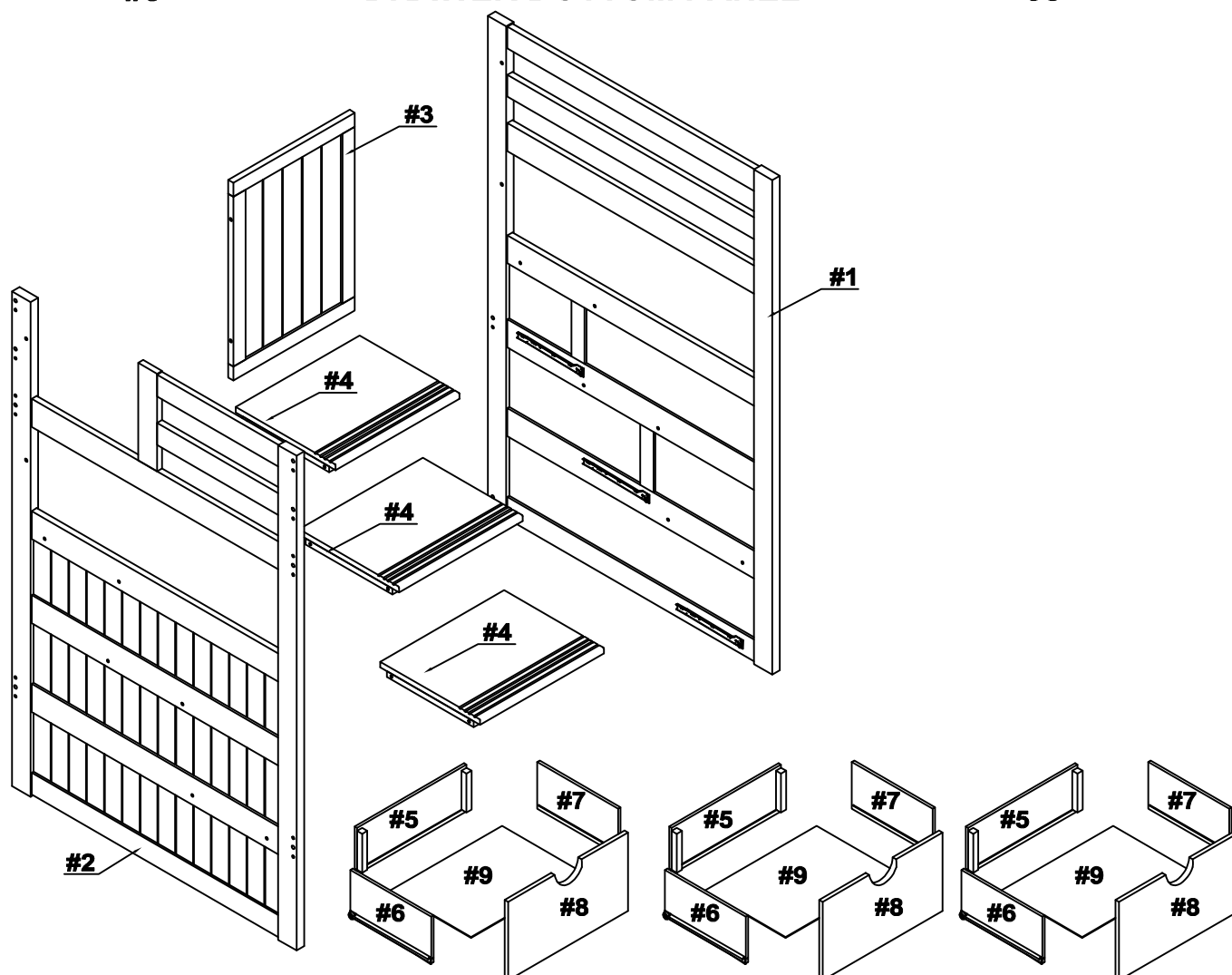
ITEM # 1206

BOX : 6



PARTS IDENTIFICATION

ITEM	DESCRIPTION	QTY
#1	RIGHT HEADBOARD	01
#2	LEFT HEADBOARD	01
#3	BACK PANEL	01
#4	STEP	03
#5	DRAWER BACK PANEL	03
#6	LEFT DRAWER SIDE PANEL	03
#7	RIGHT DRAWER SIDE PANEL	03
#8	DRAWER FRONT PANEL	03
#9	DRAWER BOTTOM PANEL	03





IMPORTANT: This assembly process will require at least two people to complete properly.

- Lay the three sets of Drawer components (5, 6, 7 & 8) on the floor and organize them in a similar configuration to assembly diagram.

ASSEMBLY INSTRUCTIONS - MODULAR LOFT STAIR SECTION

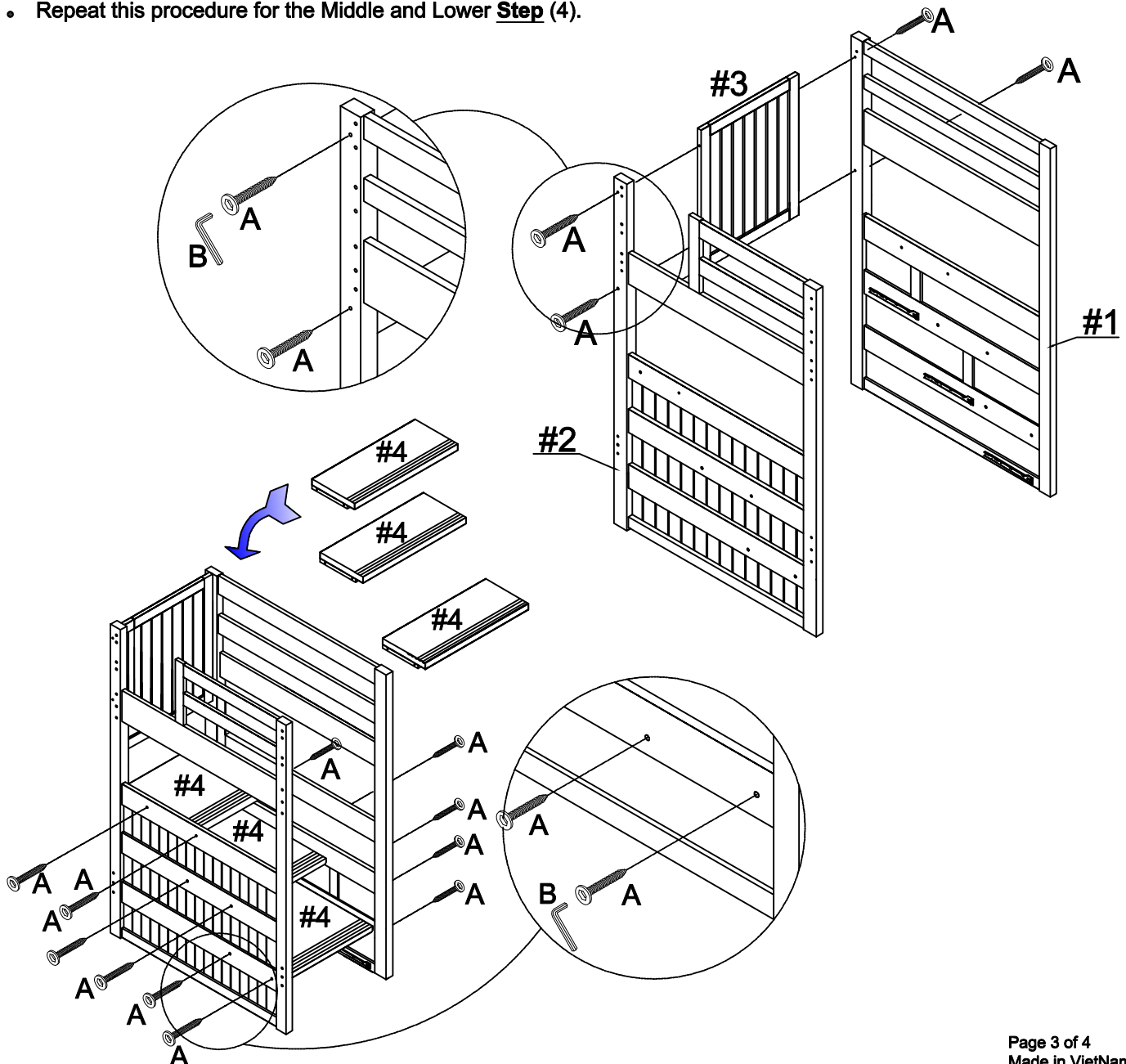
ITEM # 1206

BOX : 6

A		Qty:16	B		Qty: 1
	1/4" x 50 mm			Allen Key	Qty: 1
	Allen Screw				

Step 1: Assemble Stair Section.


- Stand the **Right and Left Headboard (1 & 2)** vertically on the floor. Organize them with the **Back Panel (3)** and the **Steps (4)** in a similar configuration to assembly diagram.
- Align the holes in the sides of the **Back Panel (3)** with the holes in the back Posts of the **Right and Left Headboards (1 & 2)**.
 - Make sure that the vertical grooves on the center of the **Back Panel (3)** are facing toward the Front of the Stair section.
- Insert the Allen Screws (A) through the **Right and Left Headboards (1 & 2)** and into the side of the **Back Panel (3)** and tighten.
- Align the holes in the end of the top **Step (4)** with the holes in the **Right and Left Headboards (1 & 2)**.
- Insert the **Allen Screws (A)** through the **Right and Left Headboards (1 & 2)** and into the **Step (4)** and tighten.
- Repeat this procedure for the Middle and Lower **Step (4)**.



ASSEMBLY INSTRUCTIONS - MODULAR LOFT STAIR SECTION

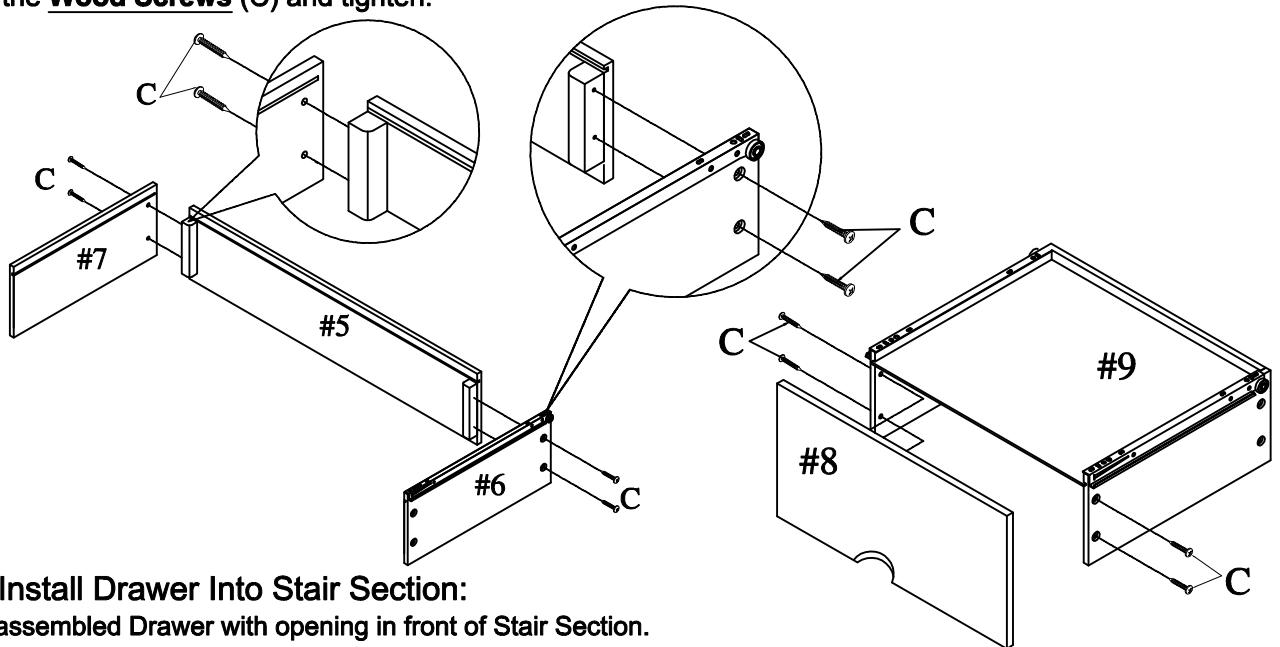
ITEM # 1206

BOX : 6

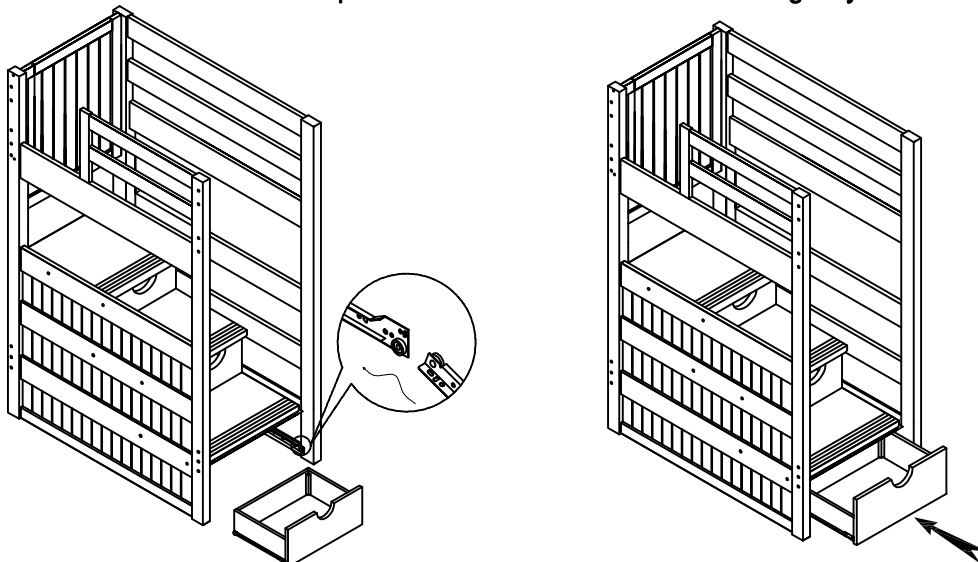
C		Qty:24
	Ø4 x 25 mm Wood Screw	

Step 2: Assemble Drawer.

- Align holes in back edges of **Drawer Side Panels** (6 & 7), nearest wheels in drawer glide, with the holes in the wooden blocks on the **Drawer Back Panels** (5).
- Insert the **Wood Screws** (C) through the **Drawer Side Panels** (6 & 7) and into the wooden blocks **Drawer Back Panels** (5) and tighten.
- Slide the **Drawer Bottom Panel** (9) into the grooves on the inside bottom of the **Drawer Side Panels** (6 & 7) and **Drawer Back Panel** (5)
- Align the holes in front edges of **Drawer Side Panels** (6 & 7), furthest from the wheels in drawer glide, with the holes in the wooden blocks on the **Drawer Front Panel** (8).
- Insert the **Drawer Bottom Panel** (9) into the groove on the inside bottom of the **Drawer Front Panel** (8).
- Insert the **Wood Screws** (C) and tighten.

**Step 3: Install Drawer Into Stair Section:**

- Align assembled Drawer with opening in front of Stair Section.
- Tip the Drawer Front **down** at a slight angle.
- Lay the glide wheels on the sides of the Drawer Box over the top of and directly behind the wheels on the glides inside the Stair Section.
- Raise the Drawer Front back to level and push the Drawer into the Stair Section gently

Page 4 of 4
Made in VietNam