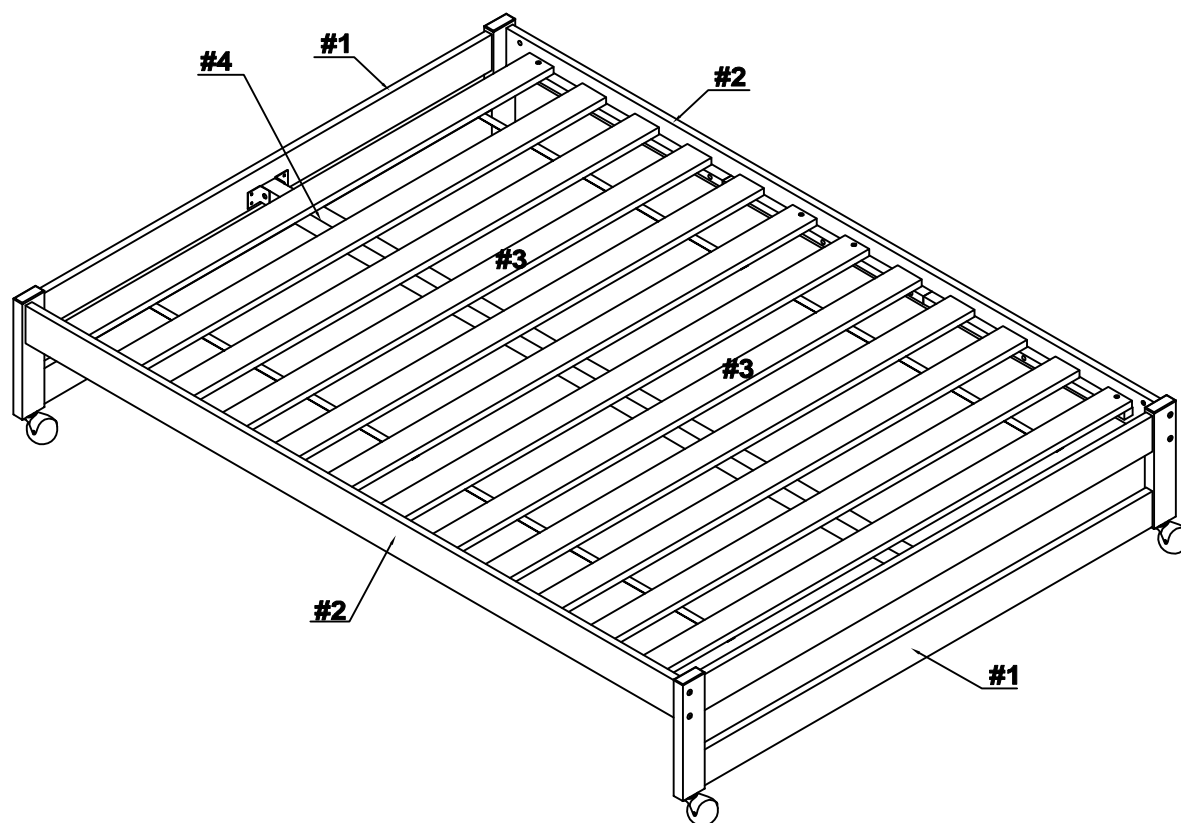


PARTS IDENTIFICATION



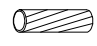
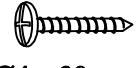

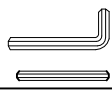

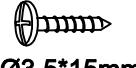
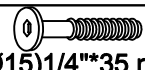
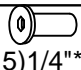
ITEM	DESCRIPTION	QTY
#1	HEADBOARD / FOOTBOARD	02
#2	BED RAILS	02
#3	SLATS	02 Sets (12pcs)
#4	CENTER SUPPORT	01



ASSEMBLY INSTRUCTIONS - MODULAR LOFT FULL CASTER BED

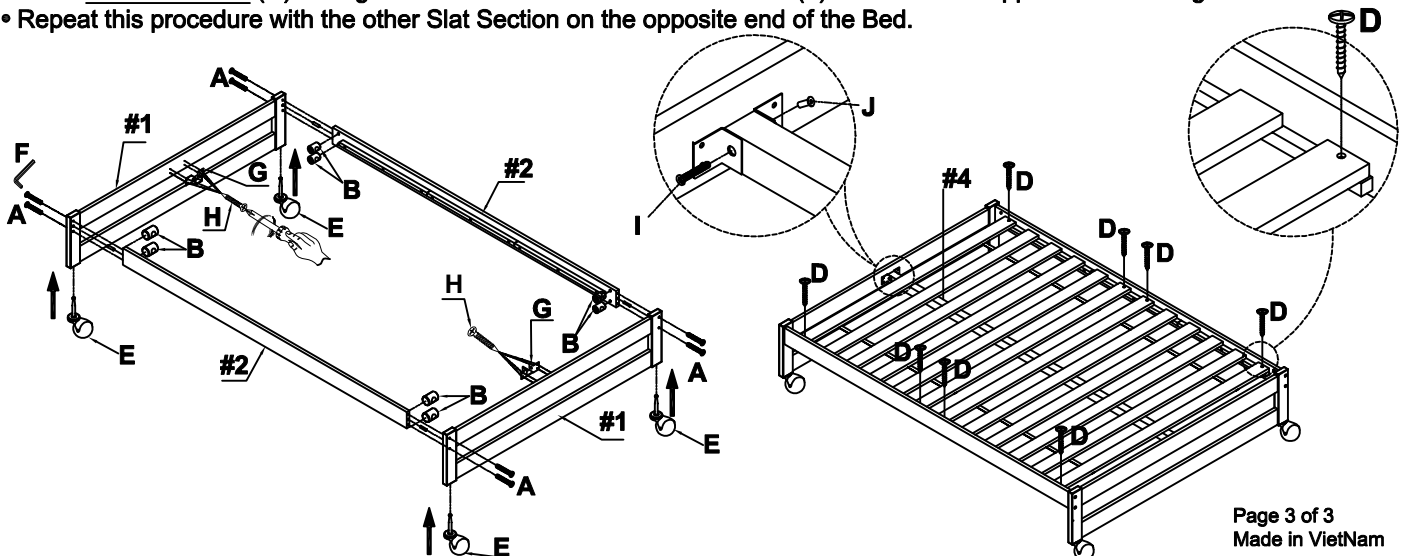
ITEM # 1204

BOX : 4

A	 1/4" x 80 mm Large Allen Bolt	Qty: 8	B	 1/4"x13mm Barrel Nut	Qty: 8	C	 Ø10 x 40mm Wooden Dowel	Qty:4	D	 Ø4 x 30 mm Wood Screw	Qty:8
E	 98x66x57mm Wheels	Qty: 4	F	 Allen Key	Qty: 1 Qty: 1	G	 116*40*27mm U - Bracket	Qty: 2	H	 Ø3.5*15mm Wood Screw	Qty: 8
I	 (Ø15)1/4"*35 mm Bolts	Qty: 2	J	 (Ø15)1/4"*14 mm Female Bolt	Qty: 2						

Step 1:

- Lay the **Headboard / Footboard** (1) and **Bed Rails** (2) and **Center Support** Rail (4) on the floor and organize them in a similar configuration to assembly diagram.
- Attach the **Wheels** (E) to the bottom face of the post of the **Headboard / Footboard** (1) as shown by inserting the metal pin of the Wheel (E) into the "Bushing" of the bottom of the corner post of both Headboard / Footboard (1)
 - Make sure that metal pin inserts fully into bushing.
- Attach the metal **U Bracket** (G) into the top slat of **Headboard / Footboard** (1). Make sure alignment marks / pre-drilled holes in the **Headboard / Footboard** (1) match with the holes in this metal **U Bracket** (G). Insert **Wood Screws** (H) through the holes in the metal **U Bracket** (G), using a screw driver to tighten fully.
- Insert the **Wooden Dowels** (C) in the ends of the **Bed Rails** (2). Align these **Wooden Dowels** (C) with the holes in the ends of the **Headboard / Footboard** (1) and insert.
 - NOTE: Assemble one Headboard / Footboard at a time.
- Insert the **Barrel Nuts** (B) into the holes on the inside of the **Bed Rails** (2). Make sure that the hole in the side of the **Barrel Nuts** (B) faces toward the end of the rails.
- Insert the **Large Allen Bolt** (A) through the **Headboard / Footboard** (1) and into **Barrel Nuts** (B) in the **Bed Rails** (2) one at a time and tighten.
- Repeat this procedure for the opposite end **Headboard / Footboard** (1).
- Lay the **Center Support** (4) into the **U Bracket** (G) and align the hole in the **Center Support** (4) with the holes in the **U Bracket** (G).
- Insert the **Bolt** (I) through the hole in the **U Bracket** (G) on one side and insert the **Female Bolt** (J) through the hole in the **U Bracket** (G) on the other side and tighten the **Bolt** (I) by using **Allen Key** (F).
- Lay the two sets of **Slats** (3) on the Support Cleat attached to the inside of the **Bed Rails** (2).
- Align the edge of the first **Slat** (3) closest to the **Headboard / Footboard** (1) flush with the end of the Support Cleat on the inside of the **Bed Rails** (2).
- Insert **Wood Screws** (D) through the holes in the ends of this first **Slat** (3) and tighten while keeping the outside edge of the Slat (3) and the end of the Support Cleat flush with each other.
- Stretch the slat section toward the center of the Bed until tight.
- Insert **Wood Screws** (D) through the holes in the ends of this last **Slat** (3) and into the Support Cleat and tighten.
- Repeat this procedure with the other Slat Section on the opposite end of the Bed.

Page 3 of 3
Made in VietNam