



MODULAR LOFT RAILS & TOP BUNK SLATS

SAFETY WARNINGS

1. Follow the information on the warnings appearing on the upper bunk end structure and on the carton. Do not remove warning label from bed.
2. Always use the recommended size mattress or mattress support, or both, to help prevent the likelihood of entrapment or falls.
3. Surface of mattress must be at least 5 inches (127mm) below the upper edge of guardrails.
4. Do not allow children under 6 years of age to use the upper bunk.
5. Prohibit more than one person on the upper bunk
6. Periodicall, check and ensure that the guardrail, ladder, and other components are in their proper position, free from damage, and that all connectors are tight.
7. Do not allow horseplay on or under the bed and prohibit jumping on the bed.
8. Always use the ladder for entering and leaving the upper bunk.
9. Do not use substitute parts. Contact the manufacturer or dealer for replacement parts.
10. Use of a nightlight may provide added safety precaution for a child using the upper bunk.
11. Always use guardrail on both long sides of the upper bunk. If bunk bed will be placed next to the wall, the guardrail that runs the full length of the bed should be place against the wall to prevent entrapment between the bed and wall.
12. The use of water or sleep flotation mattresses is prohibited.
13. Keep these instruction for future reference.

STRANGULATION HAZARD

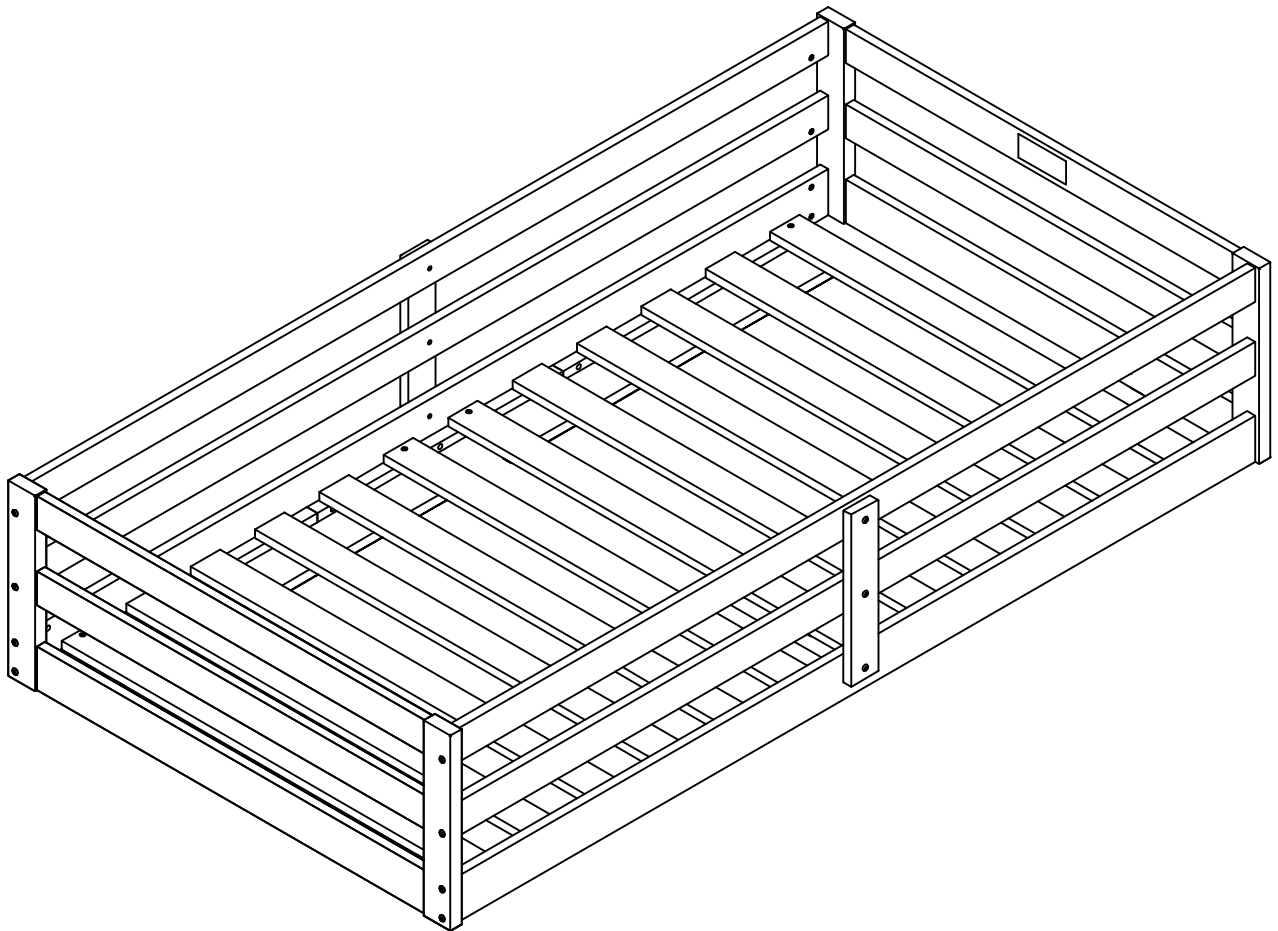
Never attach or hang items to any part of the bunk bed that are not designed for use with the bed;including, but not limited to, hooks, belts and jump ropes

SIZE OF MATTRESS AND FOUNDATION

Use only mattress, foundation and deck combined which is 74-75 inches long and 37 ½-38 ½ inches wide on twin upper bunk or 53-54 inches wide on full upper bunk. Ensure thickness of mattress and foundation combined does not exceed 9 inches and the mattress is at least 5 inches below upper edge of guardrails

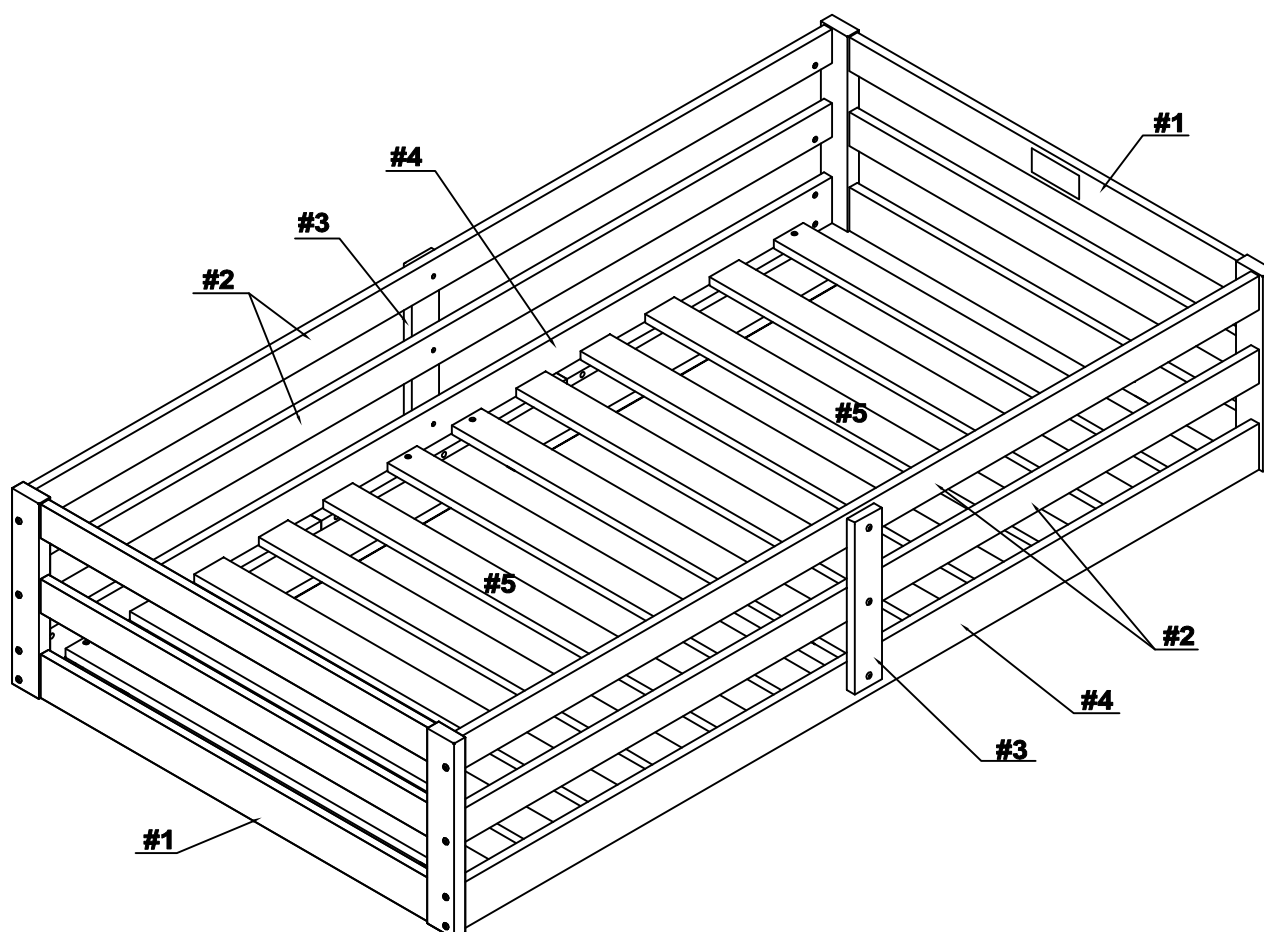
Replacement parts, may be obtained from any Donco dealer or directly from us at the below address.

DONCO TRADING COMPANY
Fort Worth, Texas 76140



PARTS IDENTIFICATION



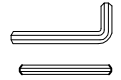
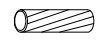
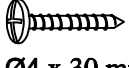

ITEM	DESCRIPTION	QTY
#1	HEADBOARD AND FOOTBOARD	02
#2	GUARDRAILS	04
#3	VERTICAL RAIL SUPPORT	02
#4	BED RAIL	02
#5	SLAT	02 Sets



ASSEMBLY INSTRUCTIONS - MODULAR LOFT RAILS & TOP BUNK SLATS

ITEM # 1203

BOX : 3

A		Qty: 16	B		Qty: 16	C		Qty: 1 Qty: 1	D		Qty: 12
	1/4" x 80 mm Large Allen Bolt			1/4" x 13mm Barrel Nut			Ø10 x 40mm Wooden Dowel				
E		Qty: 8	F		Qty: 6						
	Ø4 x 30 mm Wood Screw			1/4" x 35 mm Small Allen Bolt							

Step 1:

- Lay the **Headboard** (1), **Footboard** (1), **Guardrails** (2) and **Bed Rails** (4) on the floor and organize them in a similar configuration to assembly diagram.
- Insert **Wooden Dowels** (D) in the ends of the **Guardrails** (2) and **Bed Rails** (4).
- Align these **Wooden Dowels** (D) with the holes in the ends of the **Headboard** (1), **Footboard** (1), and insert.
 - NOTE: Assemble one Headboard / Footboard at a time.
- Insert the **Barrel Nuts** (B) into the holes on the inside of the **Guardrails** (2) and **Bed Rails** (4).
 - Make sure that the hole in the side of the **Barrel Nuts** (B) faces toward the end of the Rails.
- Insert the **Large Allen Bolt** (A) through the **Headboard** (1), **Footboard** (1), and into the **Barrel Nuts** (B) in the **Guardrails** (2) and **Bed Rails** (4) one at a time and tighten.
- Repeat this procedure for the opposite **Headboard** (1), **Footboard** (1).
- Align the holes in the **Vertical Rail Supports** (3) with the holes in the sides of the **Guardrails** (2) and **Bed Rails** (4).
- Insert the **Small Allen Bolts** (F) through the **Vertical Rail Supports** (3) and into the holes in the **Guardrails** (2) and **Bed Rails** (4) and tighten.
- Lay the two sets of **Slats** (5) on the Support Cleats attached to the inside of the **Bed Rails** (4).
- Align the edge of the first **Slat** (5) closest to the **Headboard** (1), **Footboard** (1) flush with the end of the Support Cleat on the inside of the **Bed Rails** (4).
- Insert **Wood Screws** (E) through the holes in the ends of this first **Slat** (5) and tighten while keeping the outside edge of the **Slat** (5) and the end of the Support Cleat flush with each other.
- Stretch the slat section toward the center of the Bed until tight.
- Insert **Wood Screws** (E) through the holes in the ends of this last **Slat** (5) and into the Support Cleat and tighten.
- Repeat this procedure with the other **Slat** (5) Section on the opposite end of the Bed.

IMPORTANT:

- Some Loft configurations may require that one **Headboard** (1), **Footboard** (1) is not used. Therefore, this one "extra" **Headboard** (1), **Footboard** (1) may be discarded or kept as a spare. **And please do not throw the hardware away!**

