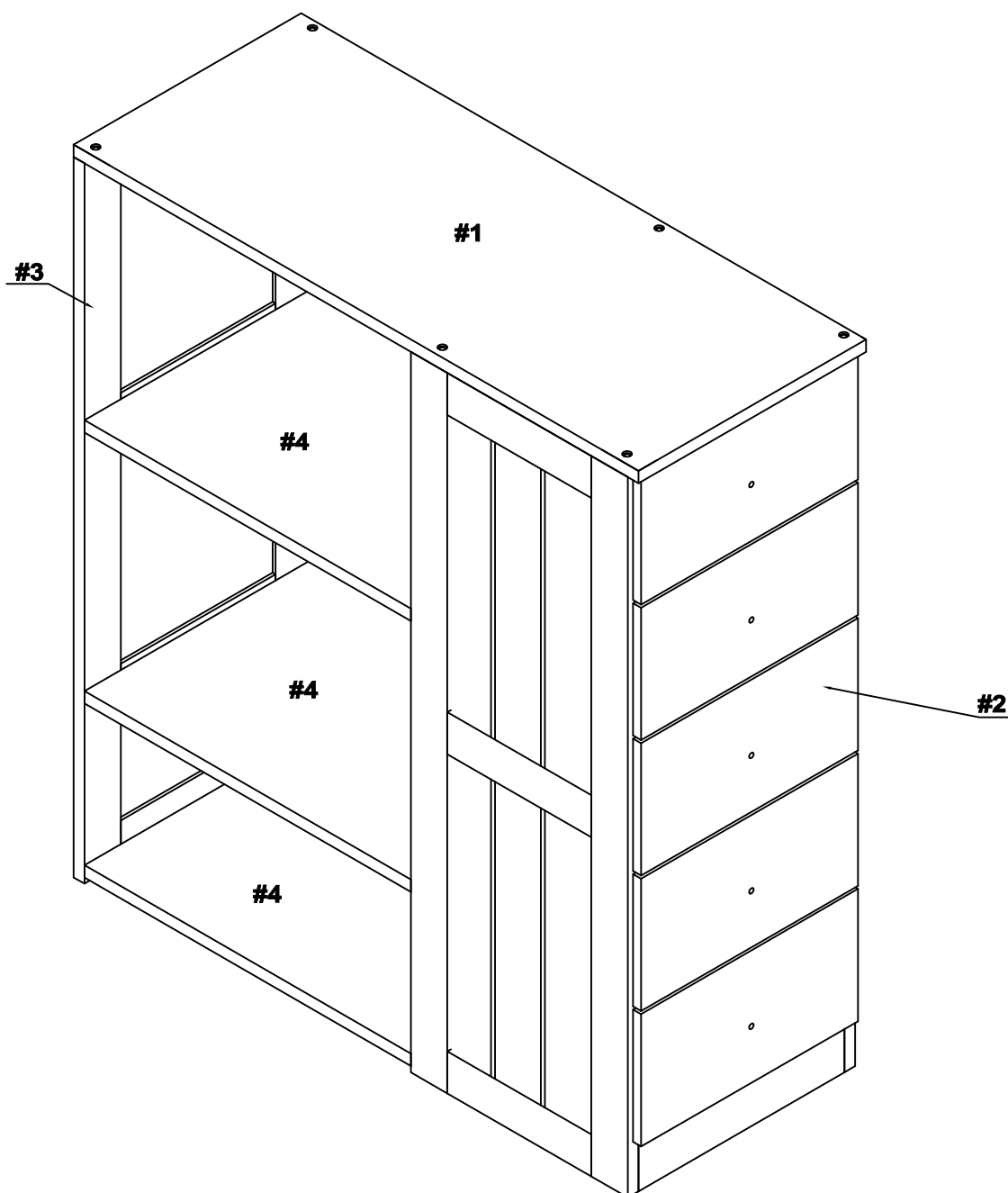




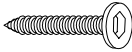
PARTS IDENTIFICATION

ITEM	DESCRIPTION	QTY
#1	BOOKCASE TOP	01
#2	CHEST	01
#3	BACK FRAME	01
#4	SHELF PANEL	03



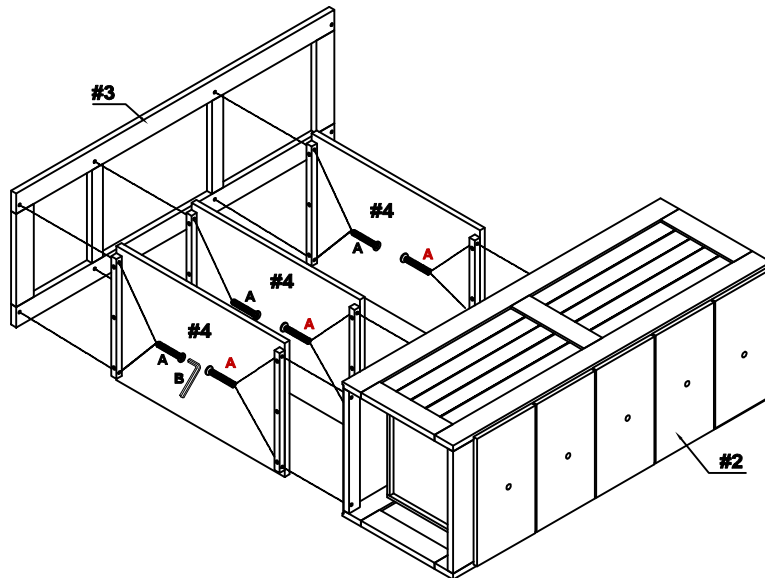
ASSEMBLY INSTRUCTIONS - MODULAR LOFT CHEST & BOOKCASE

ITEM # 1202
BOX : 2

A		Qty:12	B		Qty: 1 Qty: 1	C		Qty: 6
	1/4" x 30 mm Allen Bolt			Allen Key			1/4" x 50 mm Allen Screw	

Step 1:

- Lay the assembled **Chest** section (2) on its right side.
- Lay the **Back Frame** (3) on its right edge.
- Align the holes in the ends of the **Shelf Panels** (4) with the holes in the **Chest** (2) and **Back Frame** (3).
- Insert the **Allen Bolts** (A) into the **Chest** (2) and tighten.
- Insert **Allen Bolts** (A) into the **Back Frame** (3) and tighten.

**Step 2:**

- CAREFULLY lift the partially assembled Chest / Bookcase section to an upright position.
- Align the holes in the **Bookcase Top** (1) with the holes in the top ends of the **Back Frame** (3) and **Chest** (2).
- Insert the **Allen Screws** (C) through the **Bookcase Top** (1) and into the top ends of the **Back Frame** (3) and **Chest** (2) and tighten
- Reverse the Chest Knobs (attached inside for shipping) by unscrewing the pre-installed **Machine Screws** (E) using a Philips screw driver.
- Re-install the Knobs by re-inserting the **Machine Screws** (E) through the back / inside of the Chest Drawer Fronts and into the Knobs and tighten.

