



MODULAR LOFT DESK

SAFETY WARNINGS

1. Follow the information on the warnings appearing on the upper bunk end structure and on the carton. Do not remove warning label from bed.
2. Always use the recommended size mattress or mattress support, or both, to help prevent the likelihood of entrapment or falls.
3. Surface of mattress must be at least 5 inches (127mm) below the upper edge of guardrails.
4. Do not allow children under 6 years of age to use the upper bunk.
5. Prohibit more than one person on the upper bunk
6. Periodicall, check and ensure that the guardrail, ladder, and other components are in their proper position, free from damage, and that all connectors are tight.
7. Do not allow horseplay on or under the bed and prohibit jumping on the bed.
8. Always use the ladder for entering and leaving the upper bunk.
9. Do not use substitute parts. Contact the manufacturer or dealer for replacement parts.
10. Use of a nightlight may provide added safety precaution for a child using the upper bunk.
11. Always use guardrail on both long sides of the upper bunk. If bunk bed will be placed next to the wall, the guardrail that runs the full length of the bed should be place against the wall to prevent entrapment between the bed and wall.
12. The use of water or sleep flotation mattresses is prohibited.
13. Keep these instruction for future reference.

STRANGULATION HAZARD

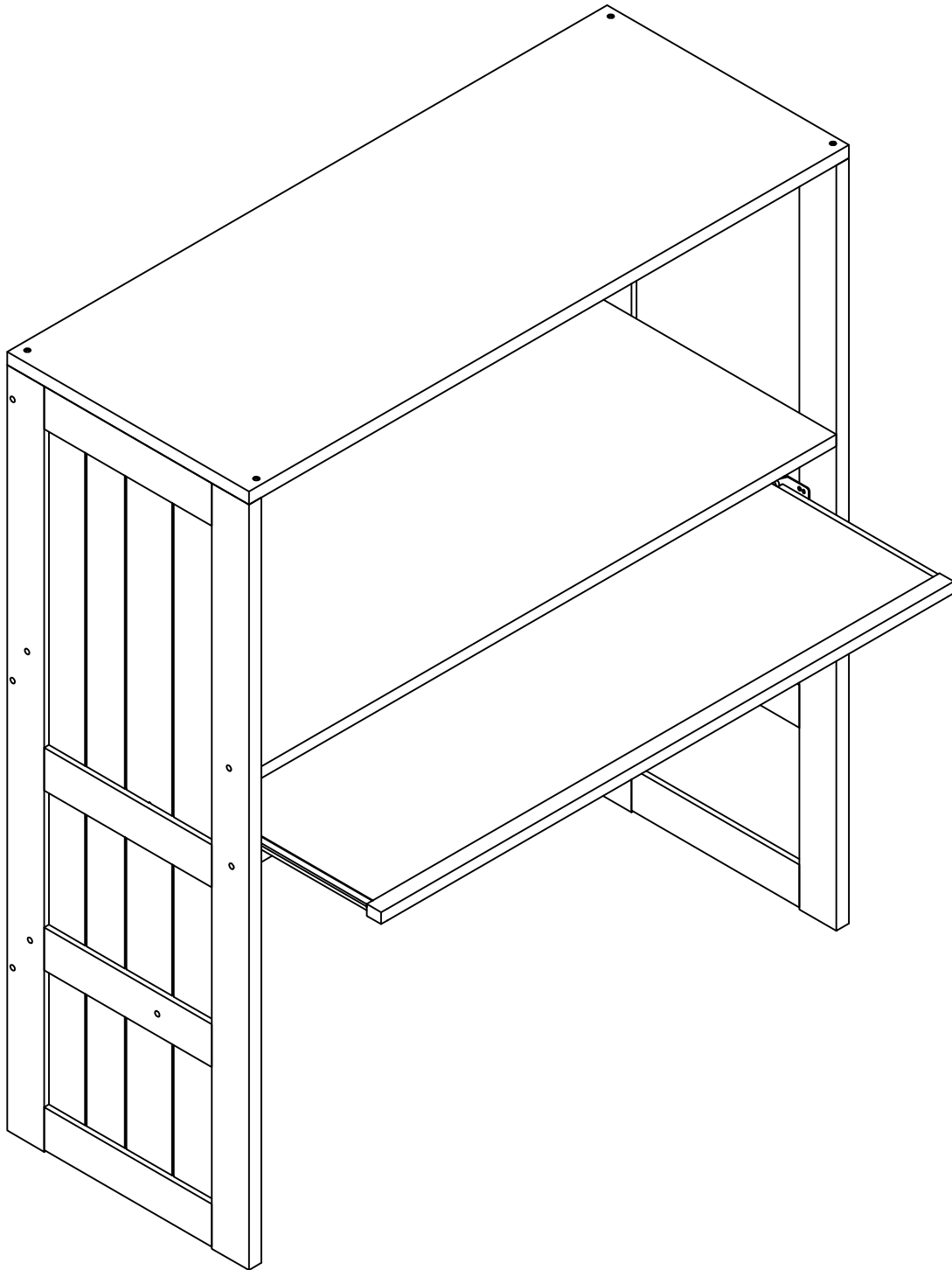
Never attach or hang items to any part of the bunk bed that are not designed for use with the bed;including, but not limited to, hooks, belts and jump ropes

SIZE OF MATTRESS AND FOUNDATION

Use only mattress, foundation and deck combined which is 74-75 inches long and 37 ½-38 ½ inches wide on twin upper bunk or 53-54 inches wide on full upper bunk. Ensure thickness of mattress and foundation combined does not exceed 9 inches and the mattress is at least 5 inches below upper edge of guardrails

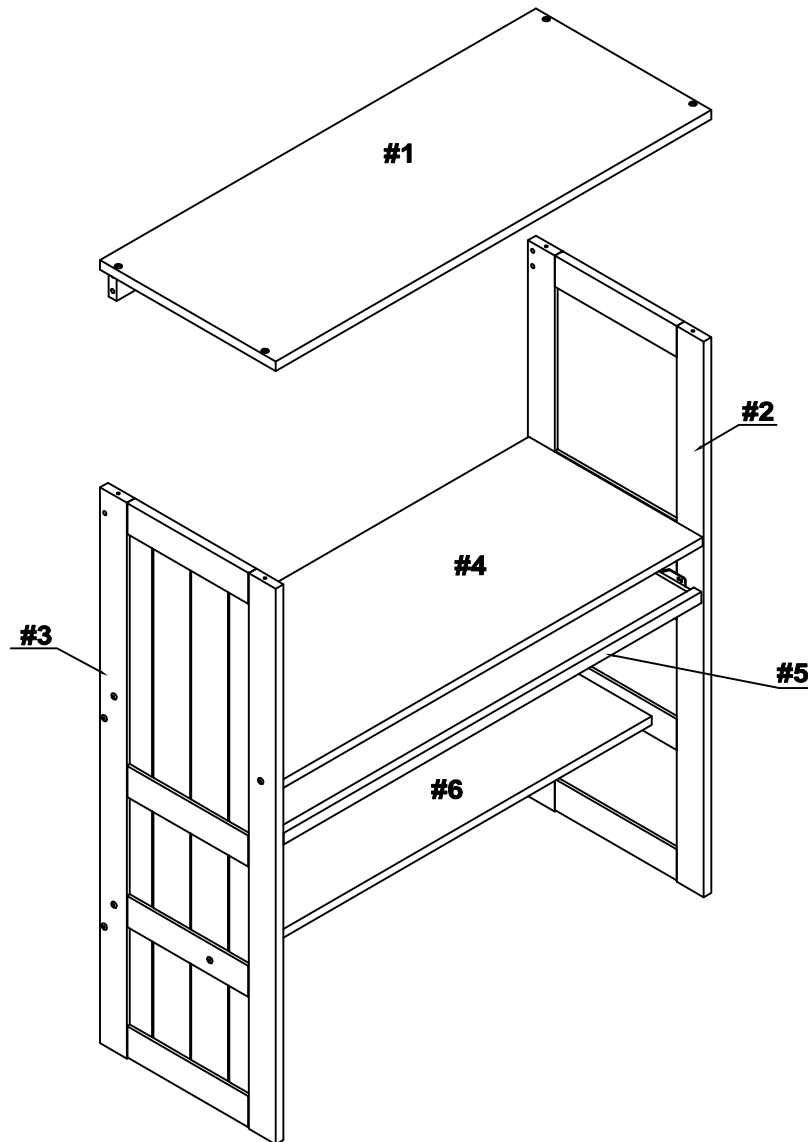
Replacement parts, may be obtained from any Donco dealer or directly from us at the below address.

**DONCO TRADING COMPANY
Fort Worth, Texas 76140**



PARTS IDENTIFICATION

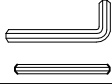
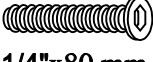


| ITEM | DESCRIPTION | QTY |
|------|------------------|-----|
| #1 | DESK TOP | 01 |
| #2 | LEFT SIDE PANEL | 01 |
| #3 | RIGHT SIDE PANEL | 01 |
| #4 | WORK SURFACE | 01 |
| #5 | PULL OUT TRAY | 01 |
| #6 | LOWER SHELF | 01 |



ASSEMBLY INSTRUCTIONS - MODULAR LOFT DESK

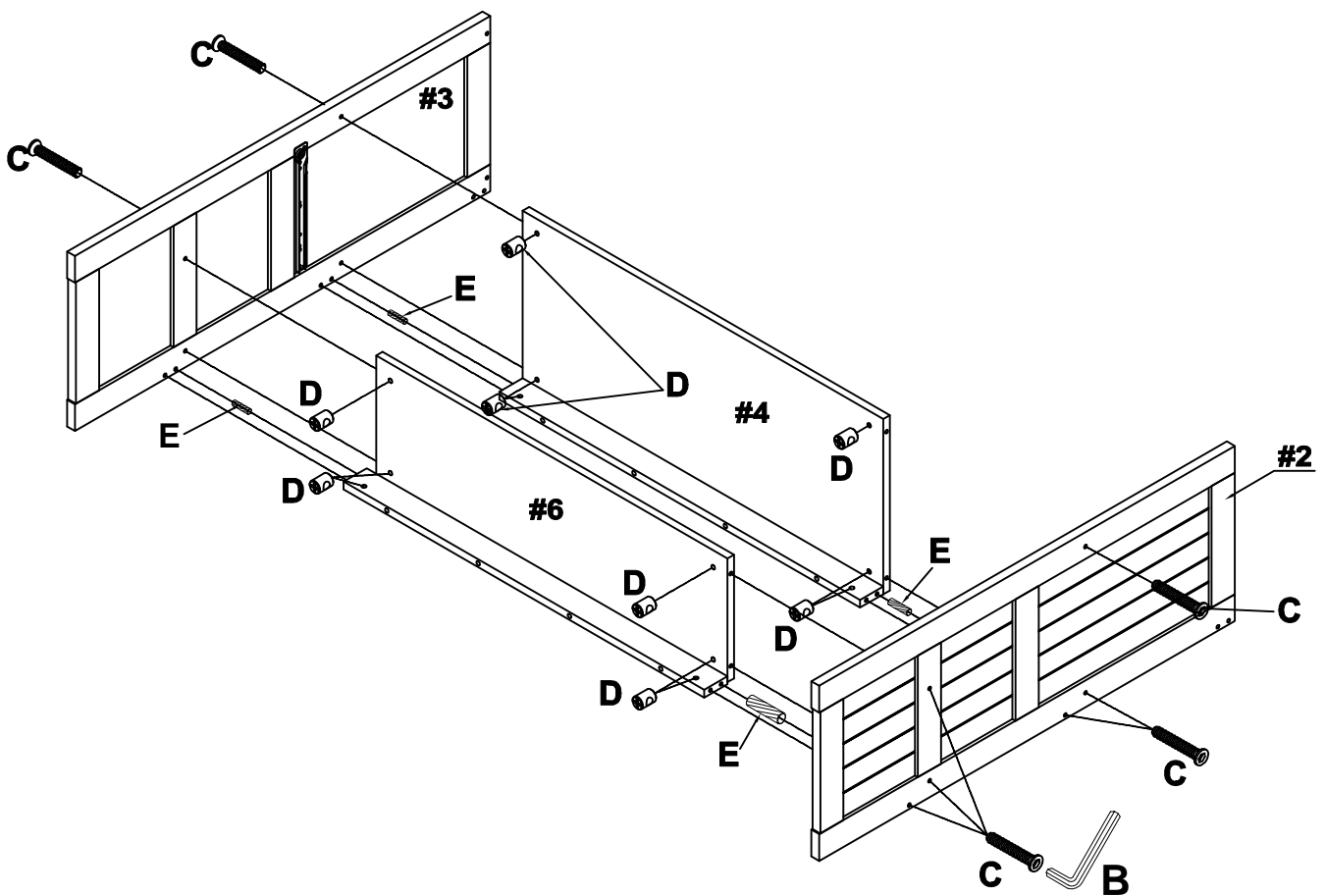
ITEM # 1201

BOX : 1

| | | | | | | | | |
|----------|---|---------|--------------|---|------------|----------|--|------------|
| B |  | Qty: 01 | C |  | Qty: 12 | D |  | Qty: 12 |
| | Allen Key | Qty: 01 | | 1/4"x80 mm | Allen Bolt | | 1/4"x13mm | Barrel Nut |
| E |  | Qty: 4 | | | | | | |
| | Ø 8 x 30mm | | Wooden Dowel | | | | | |

Step 1:


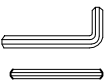
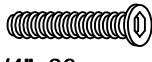


- Lay Left and Right **Side Panels** (2 & 3) on their back edges on the floor.
- Insert **Wooden Dowels** (E) into the ends of the **Work Surface** (4) and **Lower Shelf** (6).
- Align Dowels in the end of the **Work Surface** (4) and **Lower Shelf** (6) with holes in the **Side Panels** (2 & 3) and insert.
- Insert the **Barrel Nuts** (D) into the bottom and Back Rails of the **Work Surface** (4) and **Lower Shelf** (6).
 - Make sure that the holes in the side of the **Barrel Nuts** (D) are turned toward the **Side Panels** (2 & 3).
- Insert the **Allen Bolts** (C) through the Side Panels (2 & 3) and into the **Barrel Nuts** (D) in the **Work Surface** (4) and **Lower Shelf** (6) and tighten loosely.

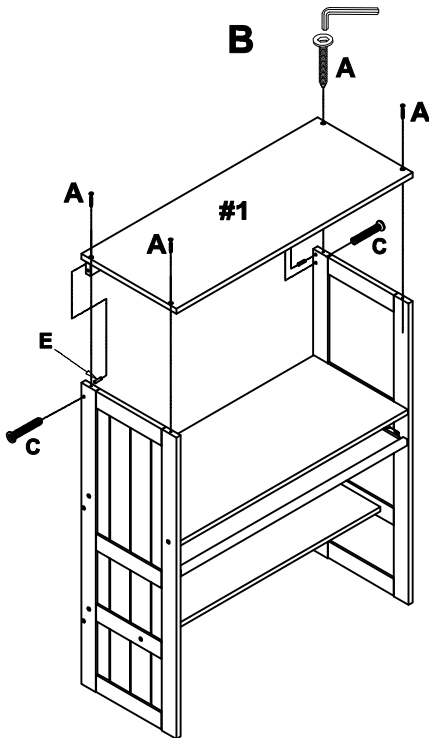


ASSEMBLY INSTRUCTIONS - MODULAR LOFT DESK

ITEM # 1201

BOX : 1

| | | | | | | | | |
|----------|---|---------|----------|---|--------------------|----------|--|--------|
| A |  | Qty: 04 | B |  | Qty: 01 Qty: 01 | C |  | Qty: 2 |
| | 1/4" x 50 mm Allen Screw | | | Allen Key | | | 1/4"x80 mm Allen Bolt | |
| D |  | Qty: 2 | E |  | Qty: 2 | | | |
| | 1/4"x13mm Barrel Nut | | | Ø8x30 mm Wooden Dowel | | | | |

Step 2:

- Lift partially assembled Desk section into an upright position.
- Insert **Wooden Dowels (E)** into each end of the back rail of the **Desk Top (1)**.
- Align the **Wooden Dowels (E)** in the ends of the **Desk Top (1)** back rail with the holes on the inside of the **Side Panels (2 & 3)** and insert.
- Insert the **Barrel Nuts (D)** into the Back Rail of the **Desk Top (1)**.
 - Make sure that the holes in the side of the **Barrel Nuts (D)** are turned toward the **Side Panels (2 & 3)**.
- Insert the **Allen Bolts (C)** through the **Side Panels (2 & 3)** and into the back rail Barrel Nuts and tighten.
- Align the holes in the top of the **Desk Top (1)** with the holes in the top ends of **Side Panels (2 & 3)**.
- Insert the **Allen Screws (A)** through the **Desk Top (1)** and into the **Side Panels (2 & 3)** and tighten.
- Go back and **FULLY TIGHTEN** all of the other **Allen Bolts (C)** on the outside of the Desk **Side Panels (1)**.

Step 3:

- Align the **Pull out Tray (5)** with opening in the front of Desk.
- Tip / lower the front of **Pull out Tray (5)** **down** at a slight angle.
- Lay the glide wheels on the sides of the **Pull out Tray (5)** over the top of and directly behind the wheels on the metal glides inside the Desk.
- Raise the front of **Pull out Tray (5)** back to level and then push the **Pull out Tray (5)** into the Desk gently.

