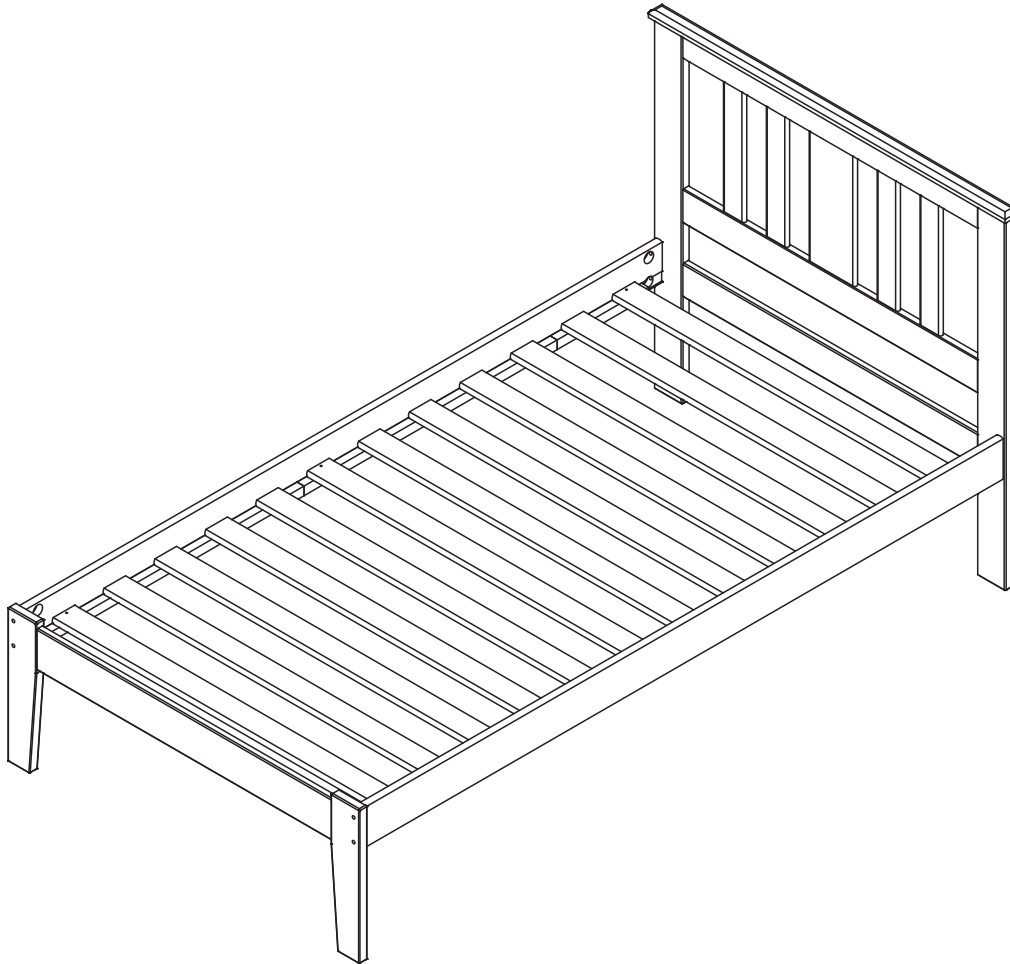


# ASSEMBLY INSTRUCTIONS

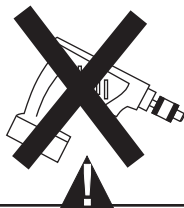
## V625 Twin Bed Venice



Thank you for purchasing this quality product. Be sure to check all packing material carefully for small parts which may have come loose inside the carton during shipment. Separate, identify and count all parts and hardware.

Compare with the parts list to be sure all parts are present.

**“DO NOT TIGHTEN SCREWS UNTIL COMPLETELY ASSEMBLED”**



\* Use of power tool to assemble this product will invalidate any claim and damage this product making unsafe !!!  
\* Please assemble on a clean soft surface to avoid damage.

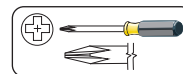


+

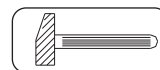


1:00 h

### Tools Required



(Not included)

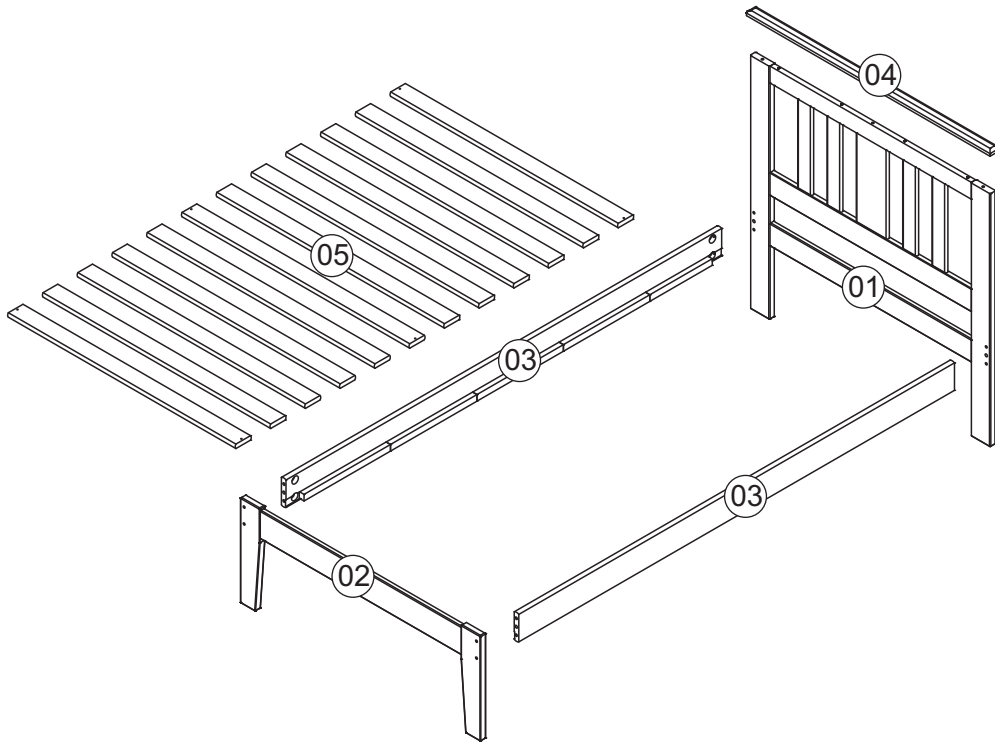


(Hammer)

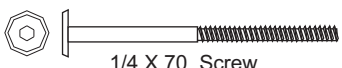
### IMPORTANT:

**PLEASE READ INSTRUCTION BEFORE STARTING THE ASSEMBLY**


Part List: - V625 TWIN BED VENICE



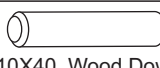
Identifying the Hardware/part list- Identify the hardware using the illustrations below.

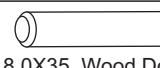
**A**  Qty **08**  
1/4 X 70 Screw

**B**  Qty **08**  
1/4" Half Moon

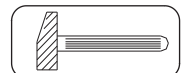
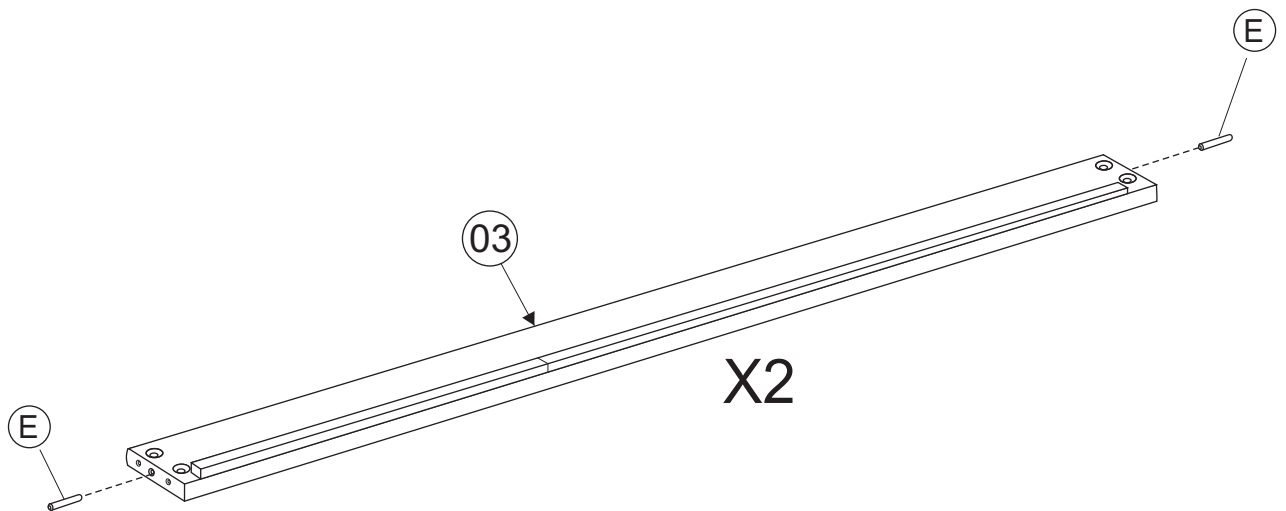
**C**  Qty **10**  
4,0X30 Screw

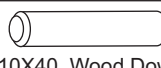
**D**  Qty **01**  
0,4mm/ Hex Screwdriver

**E**  Qty **04**  
10X40 Wood Dowel

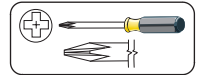
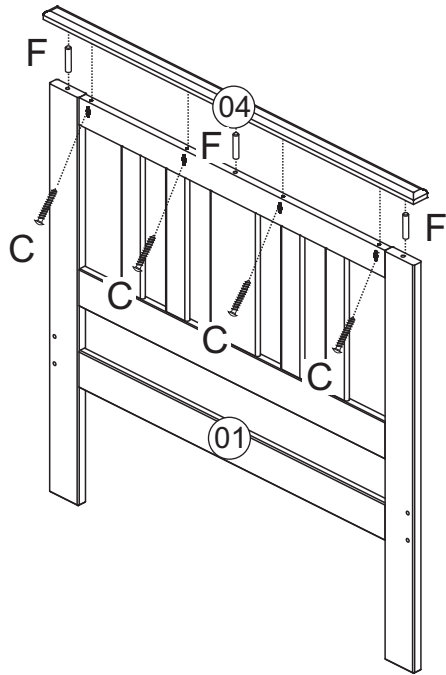
**F**  Qty **03**  
8,0X35 Wood Dowel

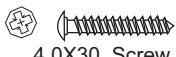
01

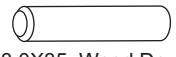


**E**  Qty **04**  
10X40 Wood Dowel

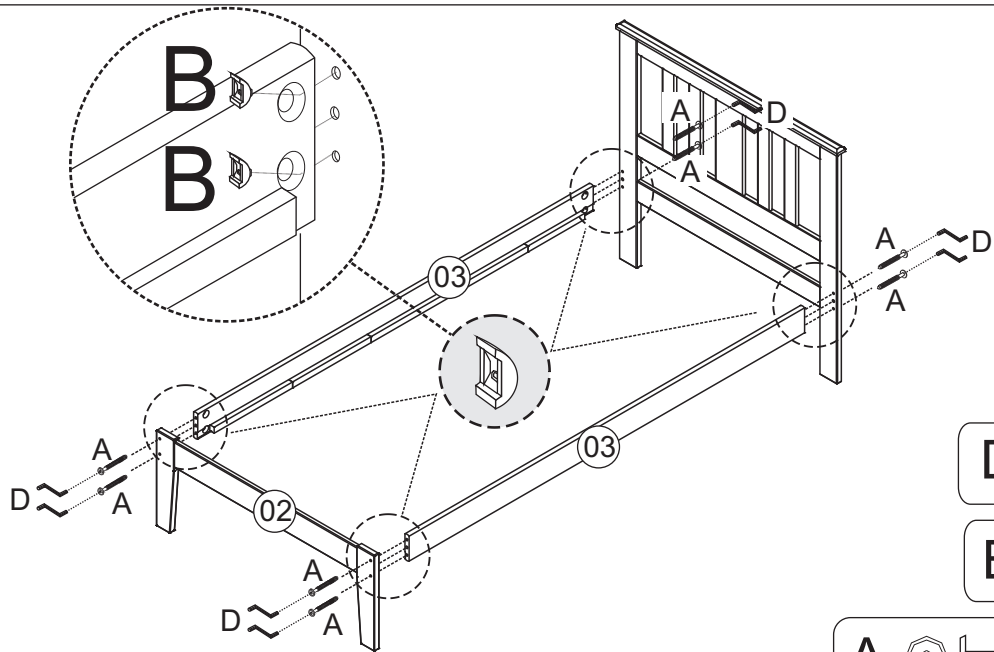
# 02




**C**  Qty **04**  
4,0X30 Screw

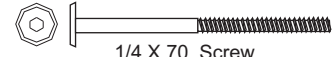
**F**  Qty **03**  
8,0X35 Wood Dowel

# 03

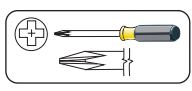
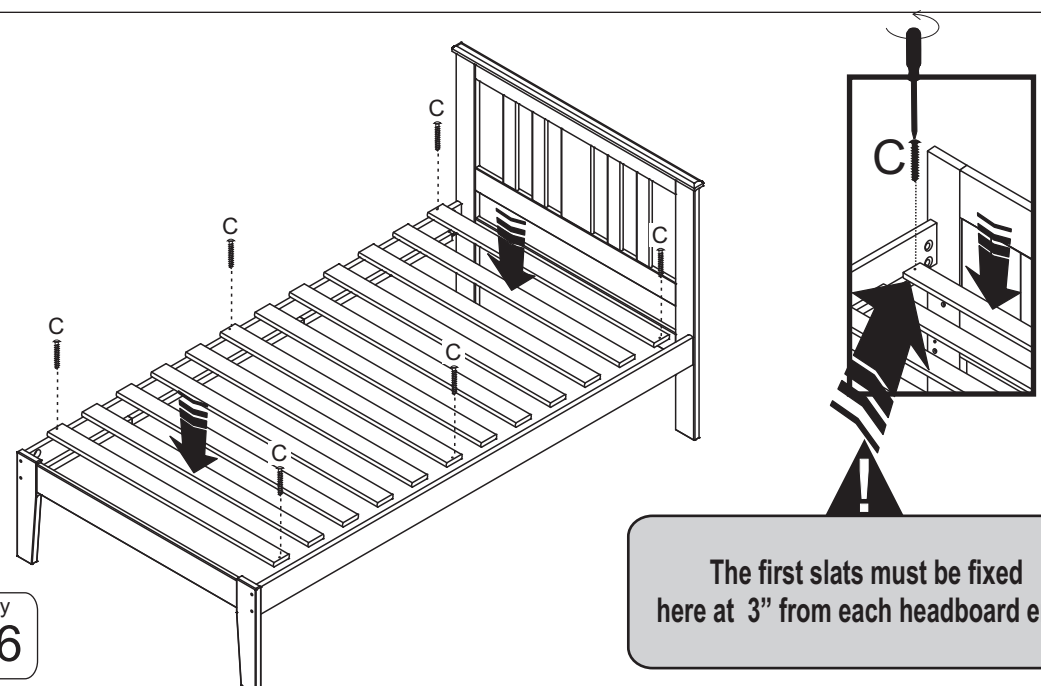


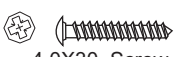
**D**  Qty **01**  
0,4mm/ Hex Screwdriver

**B**  Qty **08**  
1/4" Half Moon

**A**  Qty **08**  
1/4 X 70 Screw

# 04



**C**  Qty **06**  
4,0X30 Screw

The first slats must be fixed here at 3" from each headboard end.