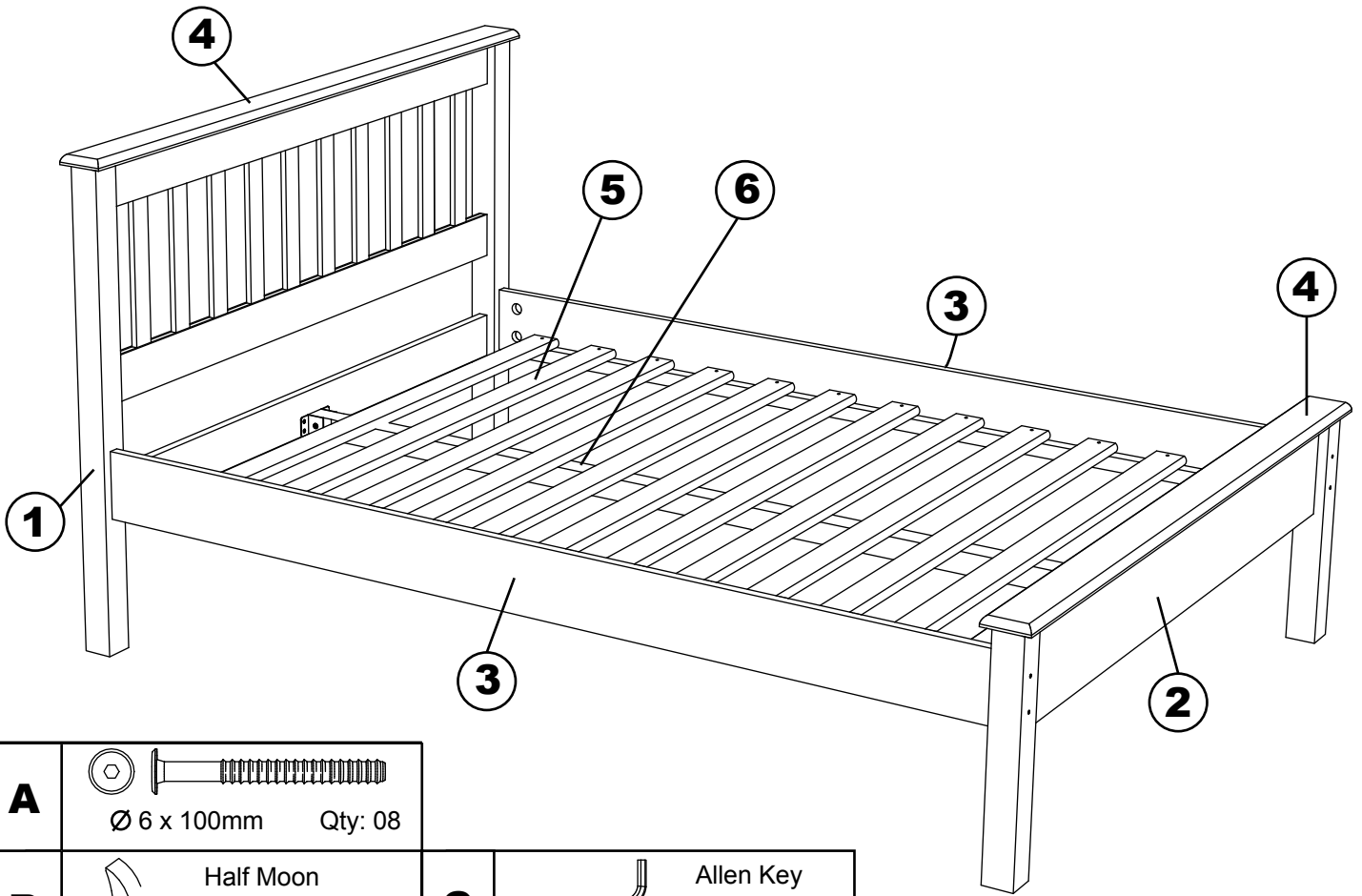
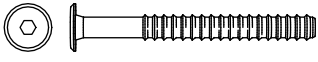
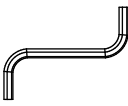

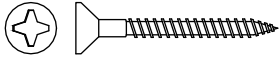
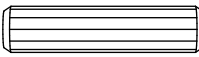
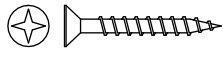
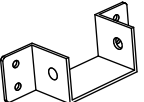

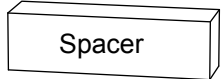
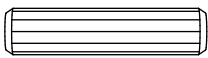


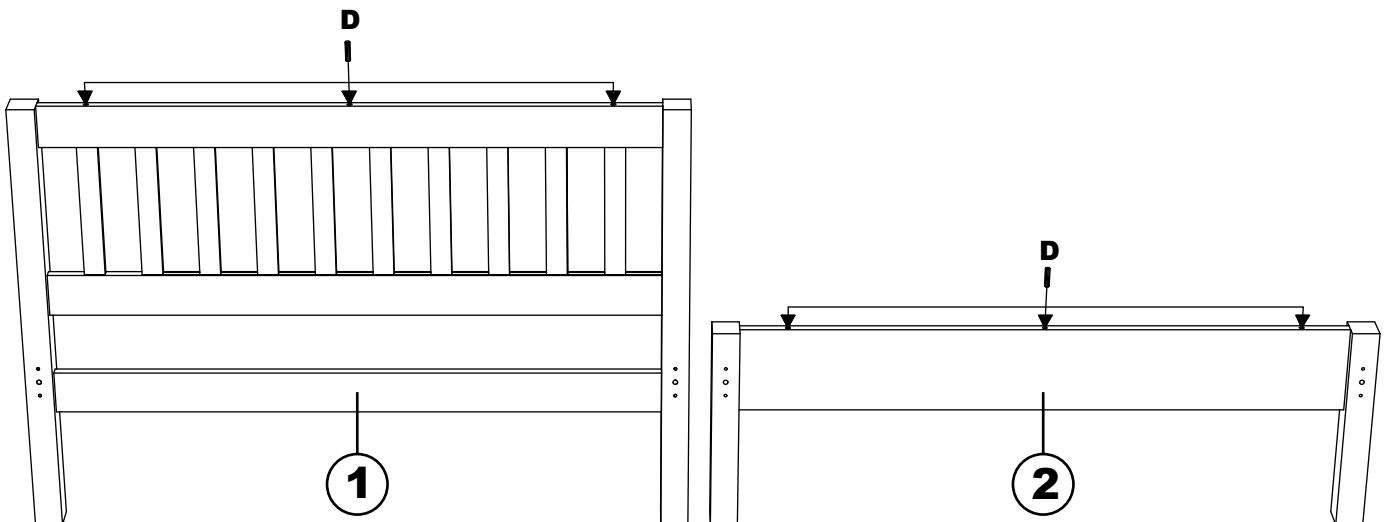
# ASSEMBLY INSTRUCTION - FULL CONTEMPO BED



<b>A</b>	 Ø 6 x 100mm Qty: 08	<b>C</b>	 Allen Key Qty: 01
<b>B</b>	 Half Moon Qty: 08	<b>E</b>	 Ø 4 x 30mm Qty: 32
<b>D</b>	 Ø 10 x 40mm Qty: 10	<b>F</b>	 Ø 3 x 15mm Qty: 08
<b>G</b>	 Support Metal Qty: 02	<b>H</b>	 Ø 6 x 45mm Qty: 02
		<b>I</b>	 Spacer Qty: 02

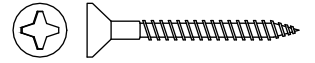
## Step: 1

<b>D</b>	 Ø 10 x 40mm Qty: 06
----------	--



## Step: 2

**E**

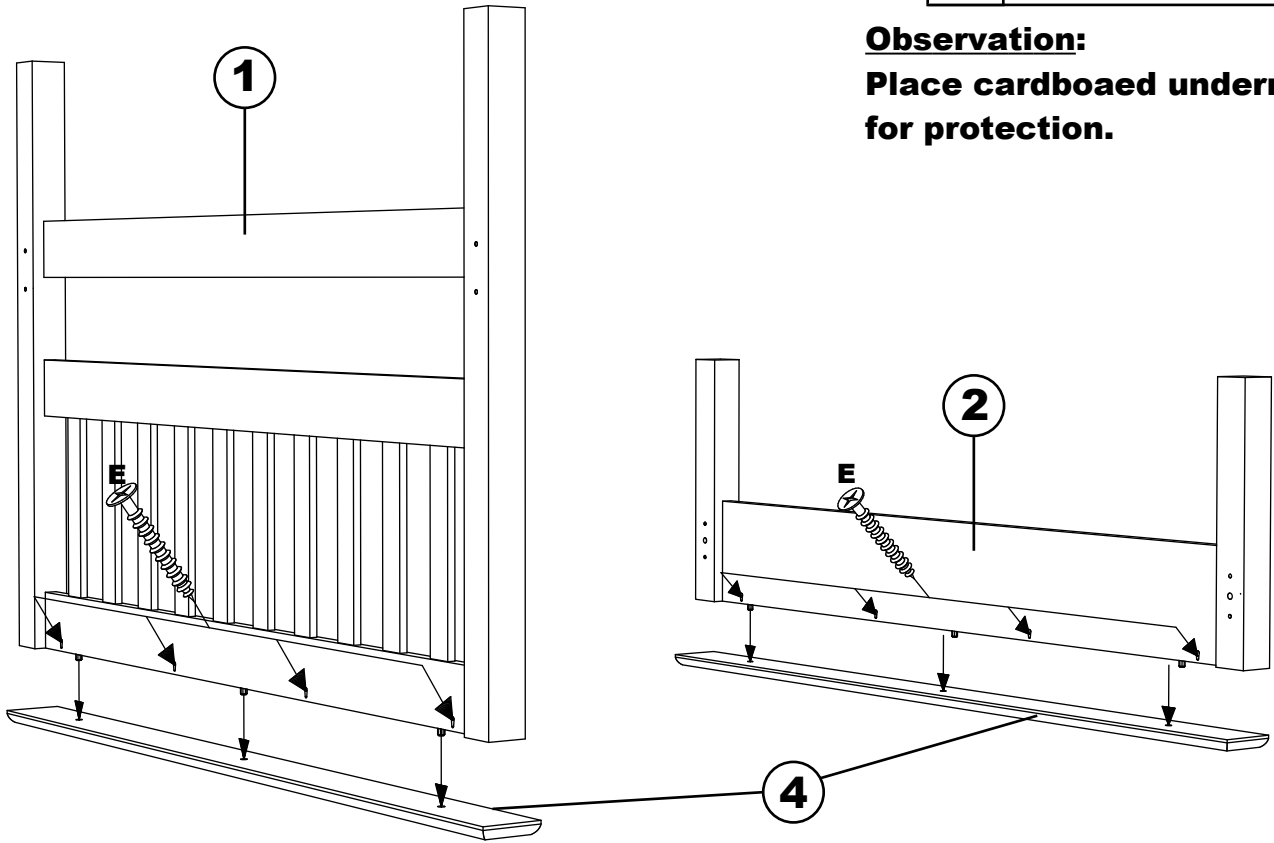


Ø 4 x 30mm

Qty: 08

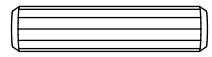
### Observation:

**Place cardboard underneath for protection.**



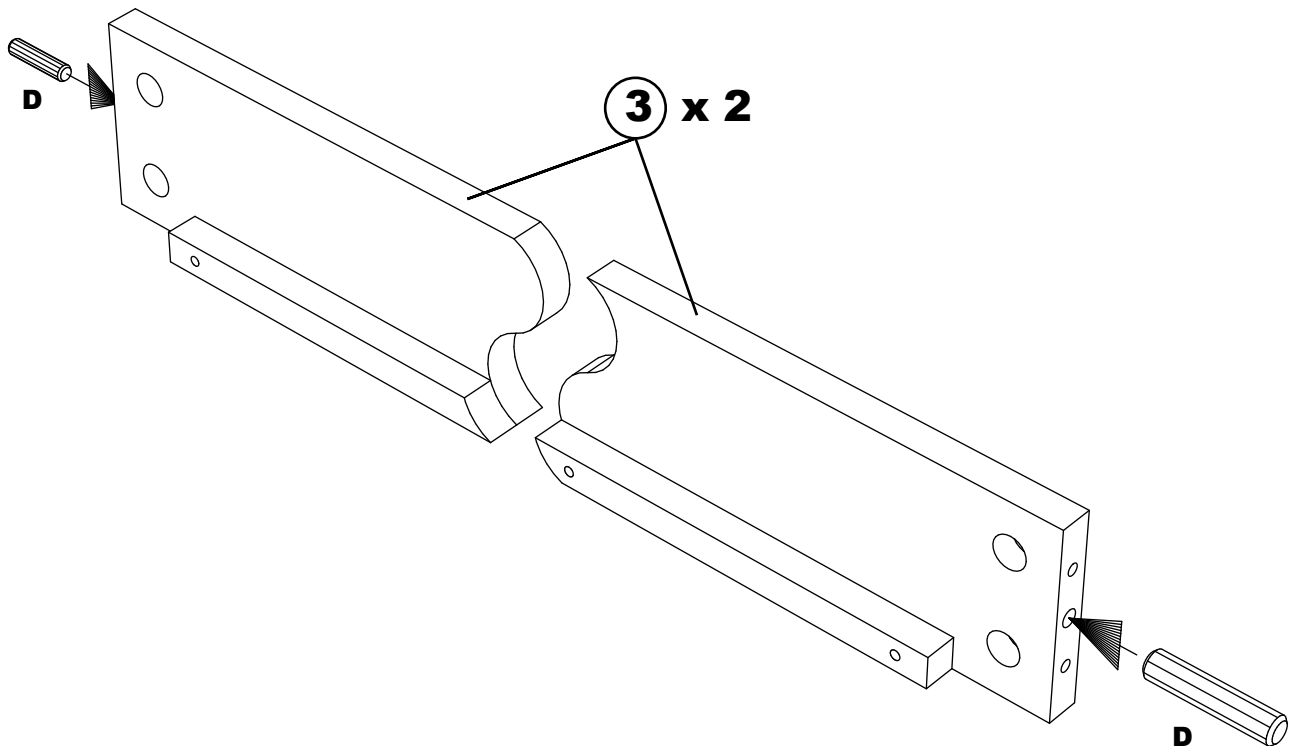
## Step: 3

**D**



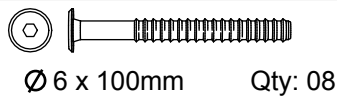
Ø10 x 40mm

Qty: 04

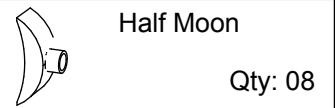


# Step: 4

**A**



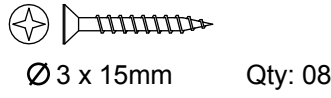
**B**



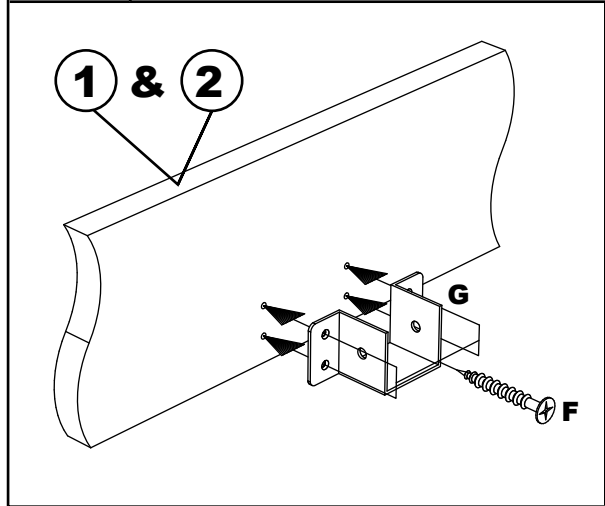
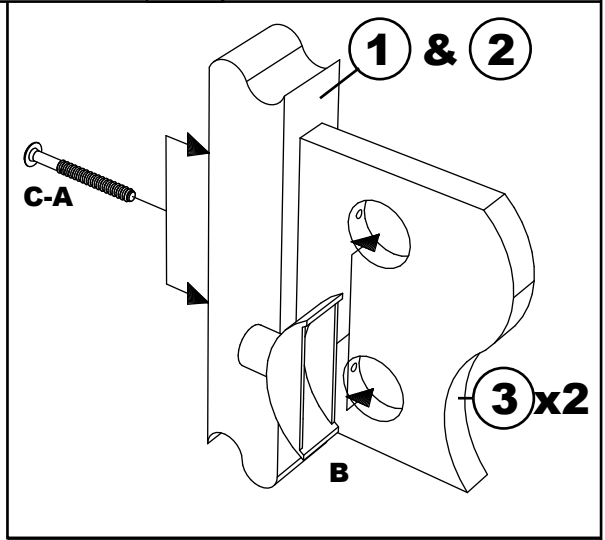
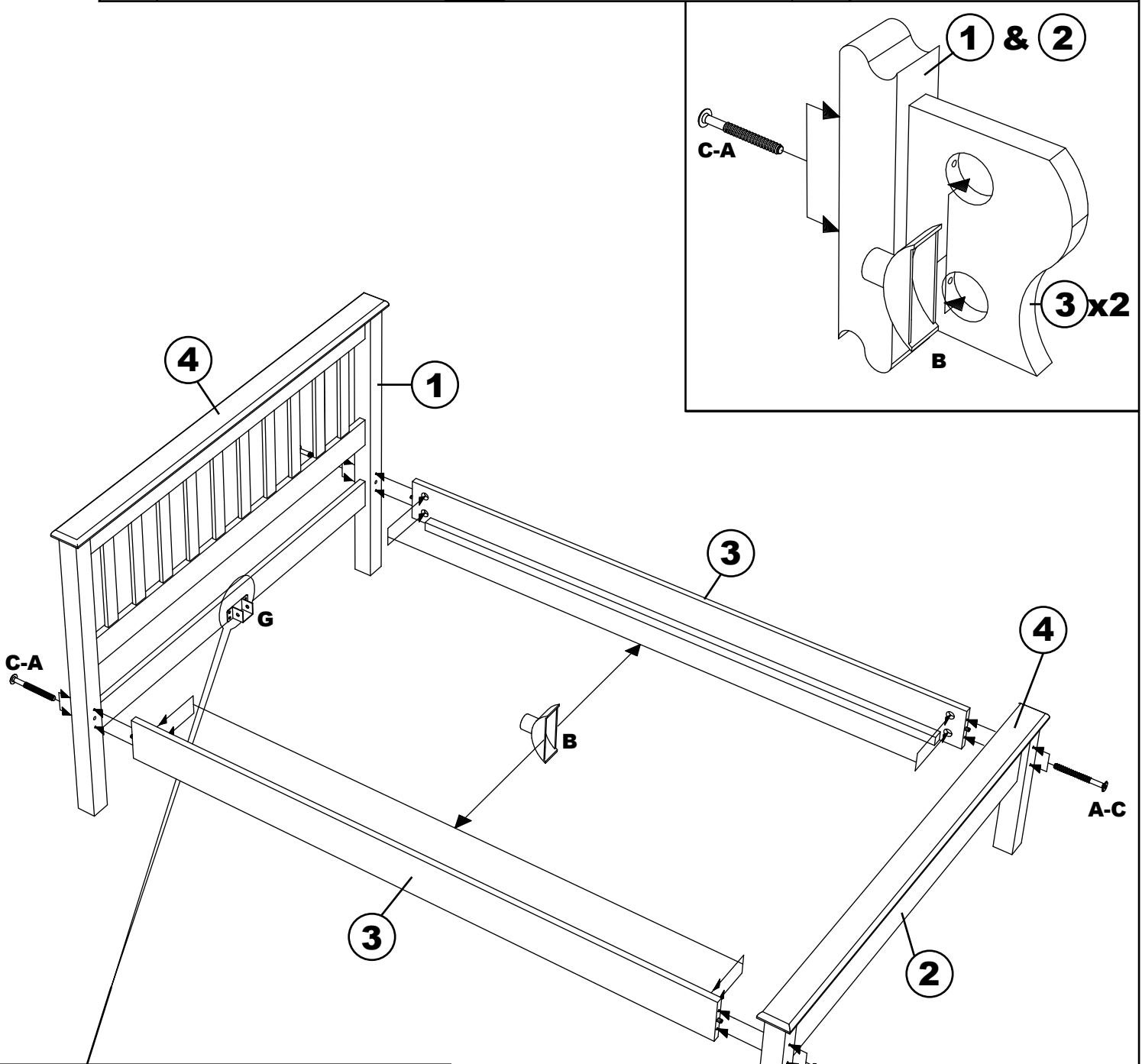
**C**



**F**

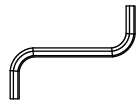


**G**



## Step: 5

**C**



Allen Key

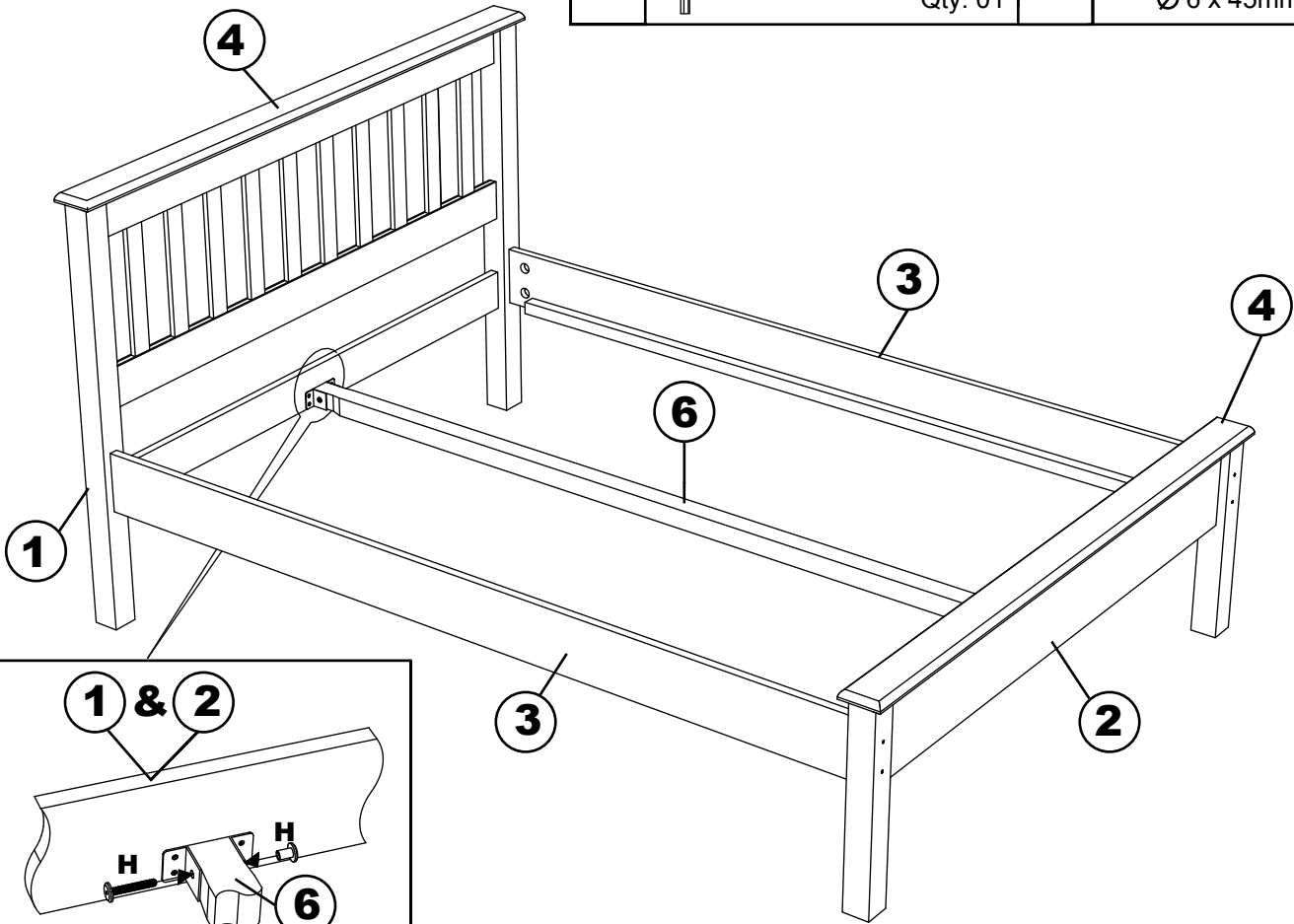
Qty: 01

**H**



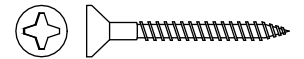
Ø 6 x 45mm

Qty: 02



## Step: 6

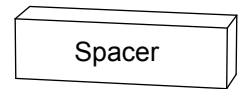
**E**



Ø 4 x 30mm

Qty: 24

**I**



Spacer

Qty: 02

