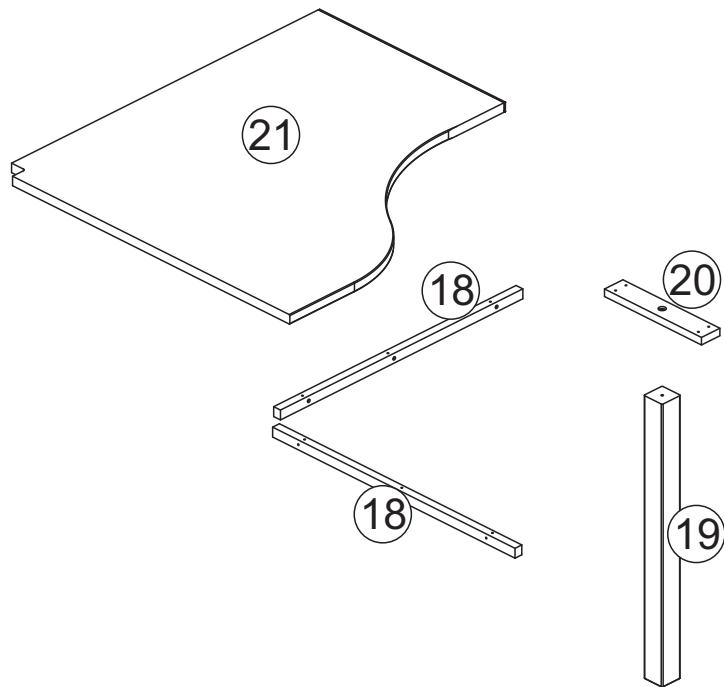
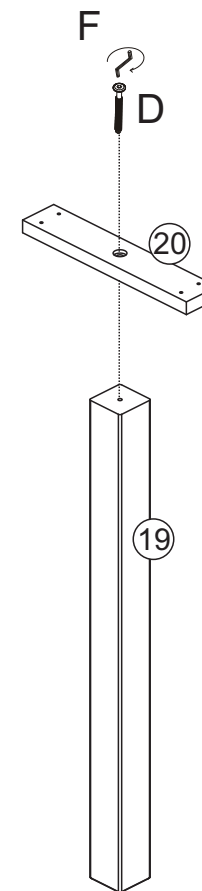






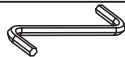
ASSEMBLY INSTRUCTIONS - TOP PANEL LOFT 375



Step 8

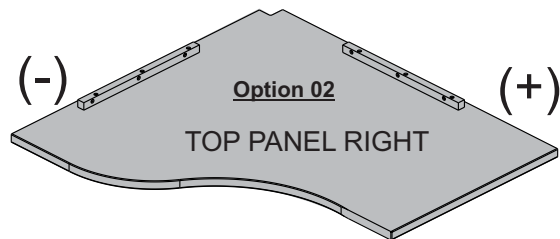
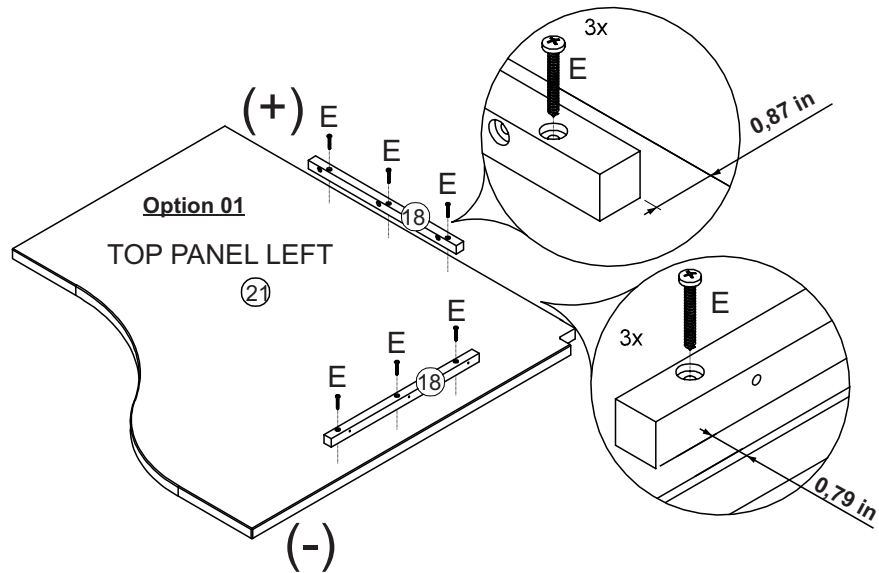


COMPLETE HARDWARE LIST		
D	 Ø7,0 x 60mm Screw	1pc
E	 Ø4,0 x 30mm Screw	16pcs
F	 Allen Key	1pc

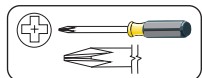
HARDWARE - STEP 8		
D	 Ø7,0 x 60mm Screw	1pc
F	 Allen Key	1pc

ASSEMBLY INSTRUCTIONS - TOP PANEL LOFT 375

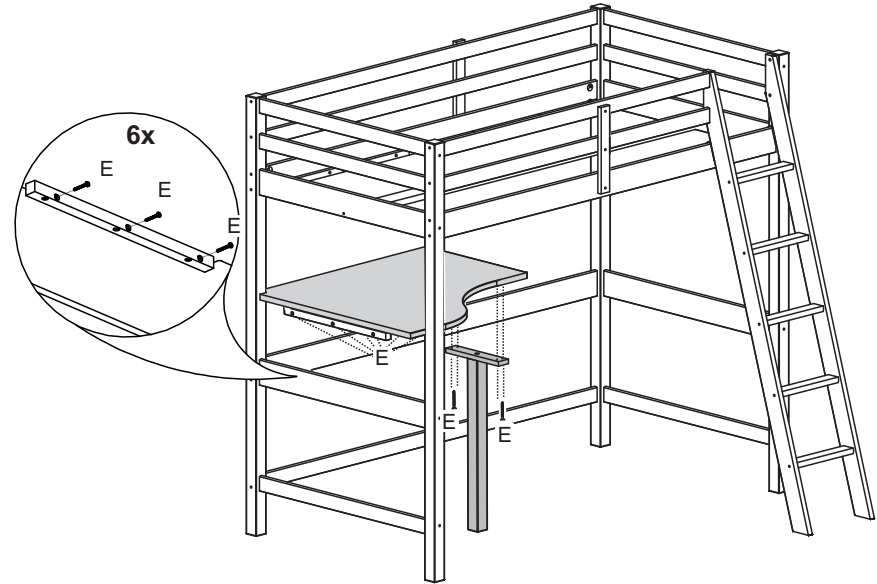
Step 8.1



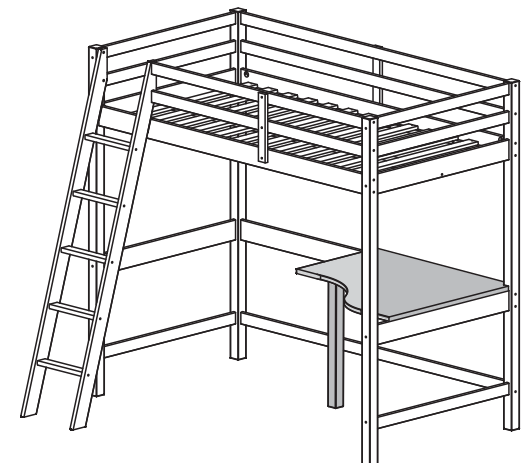
Attention



Step 8.2 Option with one top left



Option with one top right



HARDWARE - STEP 8.1 + 8.2

E		Ø4,0 x 30mm Screw	16pcs
----------	--	-------------------	--------------