

# ASSEMBLY INSTRUCTION

## TWIN SLEIGH BED

ITEM: 325 - 325 TW

PAGE 1 OF 2

### HARDWARE LIST

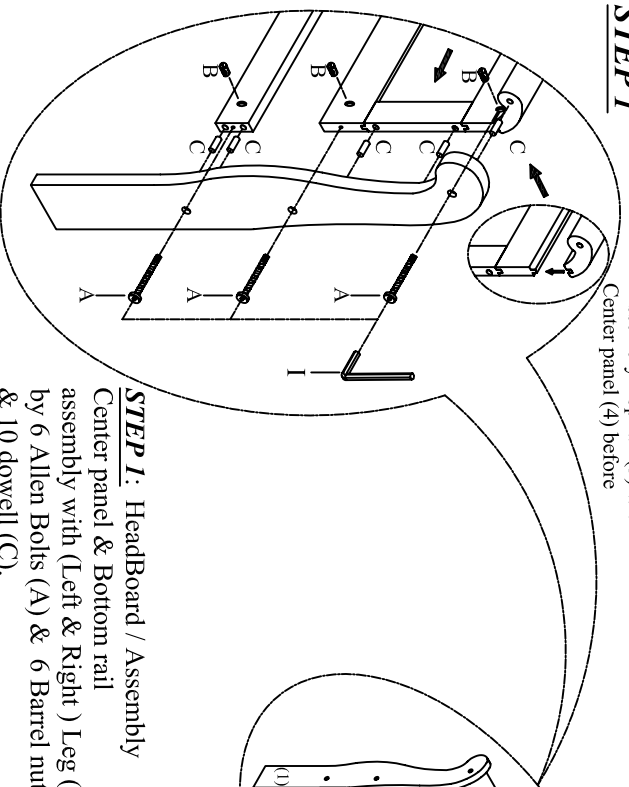
N.O	Qty	Description	Picture
A	12	Allen bolt Ø6 x L70mm	
B	12	Barrel Nut	
C	20	Wood Dowel Ø10 x 40	
D	8	Screw Ø4 x 20	
E	8	Bolt Ø6 x L70mm	
F	8	Half moon Ø6	
G	8	Hex nut Ø6	
H	1	Open end Wrench	
I	1	Allen key M4	

### PART LIST

(1) Left Leg HB = 1pc		(2) Right Leg HB = 1pc	
(3) Top Rail = 2pc		(4) HB/Center panel = 1pc	
(5) HB/Bottom rail = 1pc		(6) Left Leg FB = 1pc	
(7) Right Leg FB = 1pc		(8) FB/Center panel = 1pc	
(9) Side Rail = 1Set		(10) Slat = 1Set	

### STEP 1

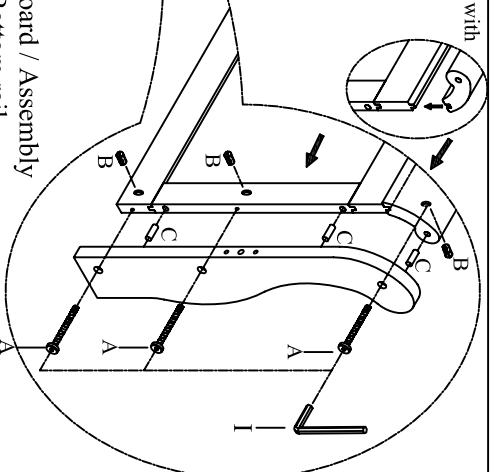
Assembly Top rail (3) with Center panel (4) before



**STEP 1:** HeadBoard / Assembly Center panel & Bottom rail assembly with (Left & Right ) Leg (1 & 2) by 6 Allen Bolts (A) & 6 Barrel nut (B) & 10 dowell (C).

### STEP 2

Assembly Top rail (3) with Center panel (8) before



**STEP 2:** FootBoard / Assembly Center panel & Bottom rail assembly with (Left & Right ) Leg (6 & 7) by 6 Allen Bolts (A) & 6 Barrel nut (B) & 6 dowell (C).

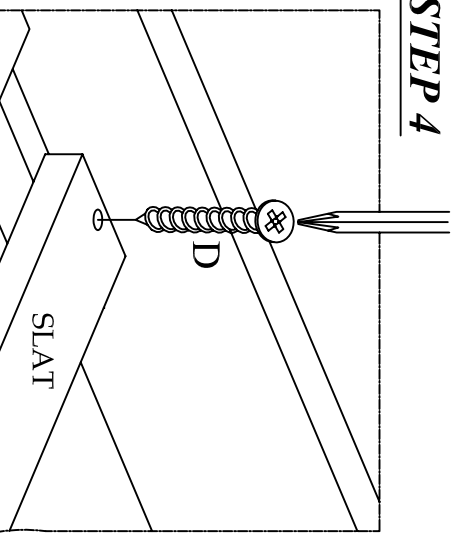
MADE IN VIET NAM

# ASSEMBLY INSTRUCTION

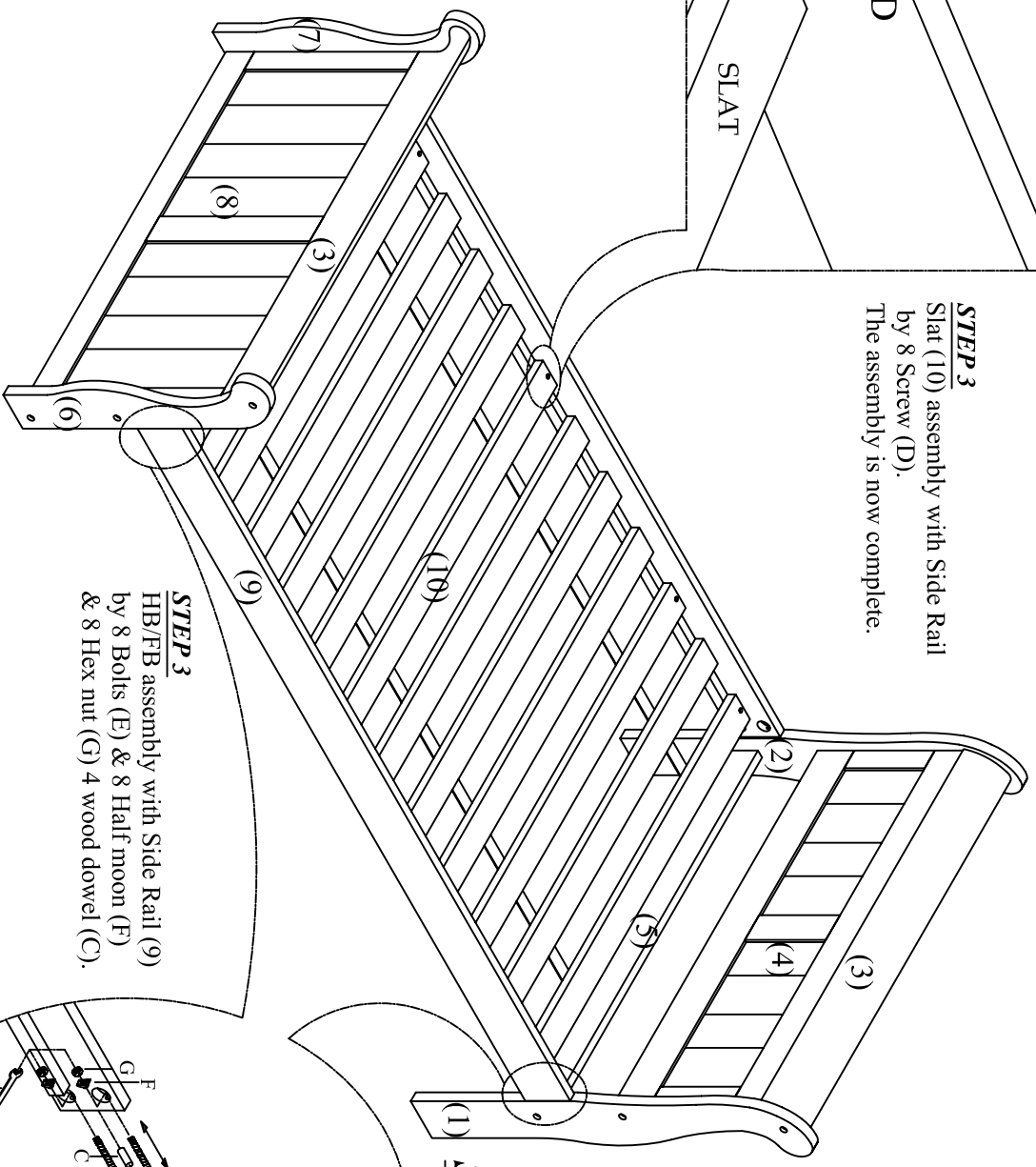
## TWIN SLEIGH BED

ITEM: 325 - 325 TW

### STEP 4

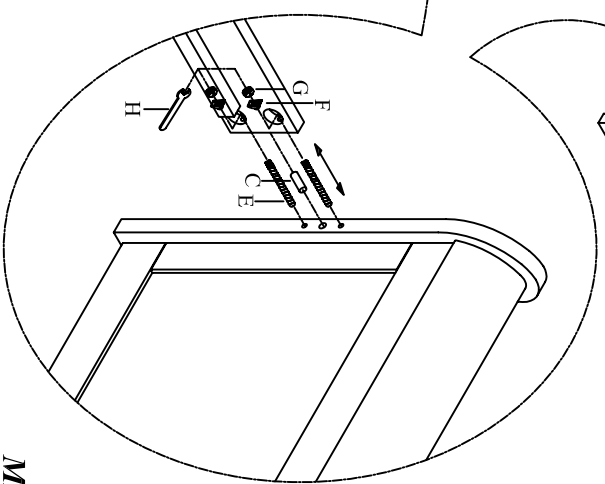


**STEP 3**  
Slat (10) assembly with Side Rail  
by 8 Screw (D).  
The assembly is now complete.



### STEP 3

**STEP 3**  
HB/FB assembly with Side Rail (9)  
by 8 Bolts (E) & 8 Half moon (F)  
& 8 Hex nut (G) 4 wood dowel (C).














# ASSEMBLY INSTRUCTION



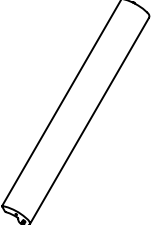
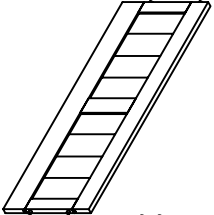
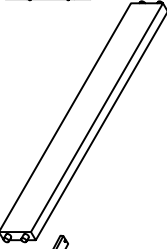


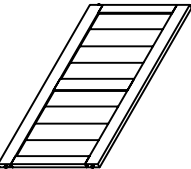
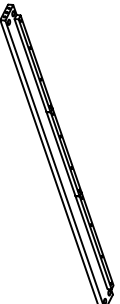
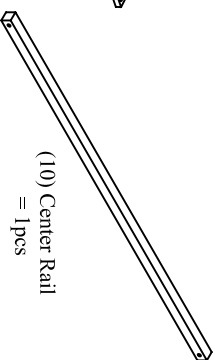
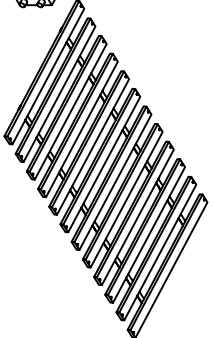
## FULL SLEIGH BED

ITEM: 325 - 325 FW

### HARDWARE LIST

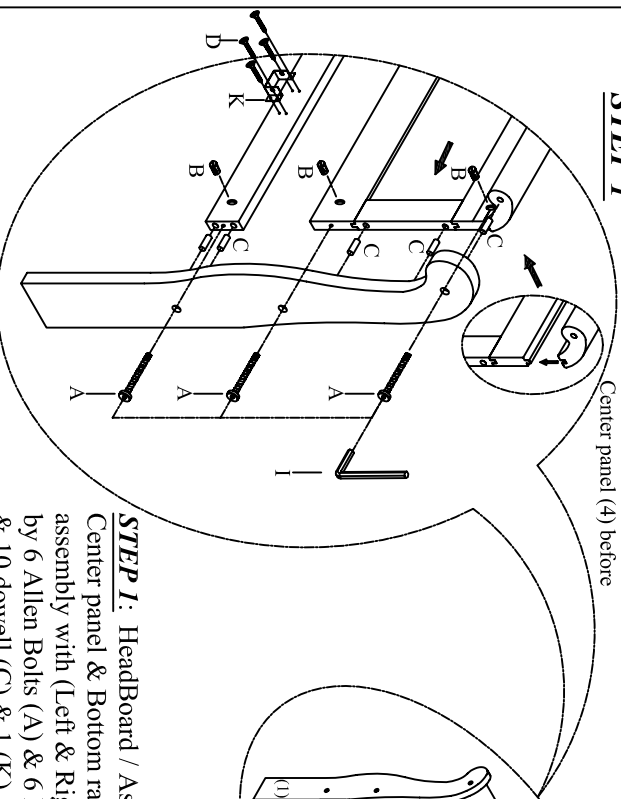
N.O	Qty	Description	Picture
A	12	Allen bolt Ø6 x L70mm	
B	12	Barrel Nut	
C	20	Wood Dowel Ø10 x 40	
D	16	Screw Ø4 x 20mm	
E	8	Bolt Ø6 x L70mm	
F	8	Half moon Ø6	
G	8	Hex nut Ø6	
H	1	Open end Wrench	
I	1	Allen key M4	
J	2 set	Bolt Ø6 x L45mm	
K	2	Metal " U "	
L			
N			
M			

### PART LIST

(1) Left Leg HB = 1pc		(2) Right Leg HB = 1pc	
(3) Top Rail = 2pc		(4) HB/Center panel = 1pc	
(5) HB/Bottom rail = 1pc		(6) Left Leg FB = 1pc	
(7) Right Leg FB = 1pc		(8) FB/Center panel = 1pc	
(9) Side Rail = 1Set		(10) Center Rail = 1pcs	
(11) Slat = 1Set			

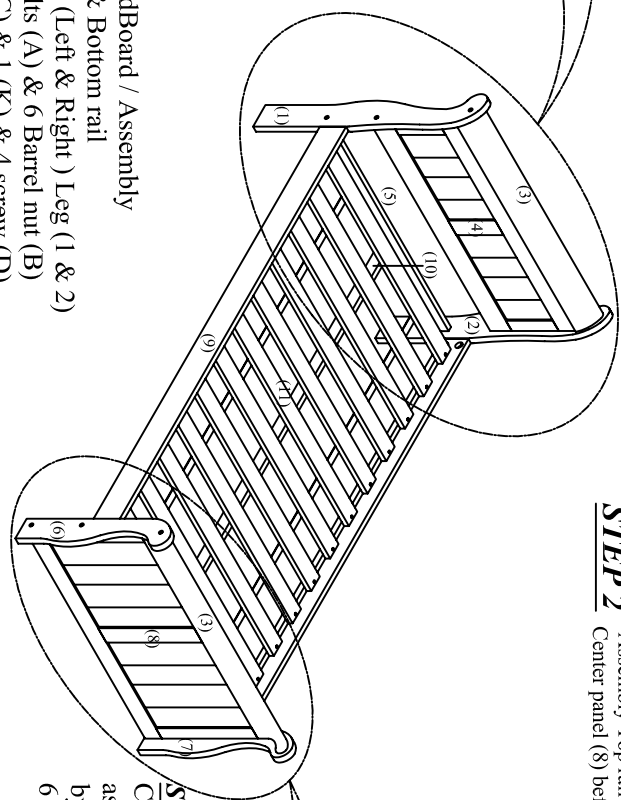
#### STEP 1

Assembly Top rail (3) with Center panel (4) before



#### STEP 2

Assembly Top rail (3) with Center panel (8) before



#### STEP 1: HeadBoard / Assembly

Center panel & Bottom rail assembly with (Left & Right ) Leg (1 & 2) by 6 Allen Bolts (A) & 6 Barrel nut (B) & 10 dowell (C) & 1 (K) & 4 screw (D).

#### STEP 2: FootBoard / Assembly

Center panel & Bottom rail assembly with (Left & Right ) Leg (6 & 7) by 6 Allen Bolts (A) & 6 Barrel nut (B) & 6 dowell (C) & 1 (K) & 4 screw (D).

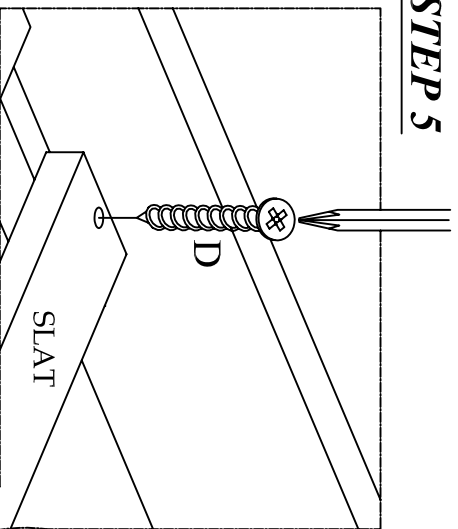
# ASSEMBLY INSTRUCTION

## FULL SLEIGH BED

ITEM: 325 - 325 FW

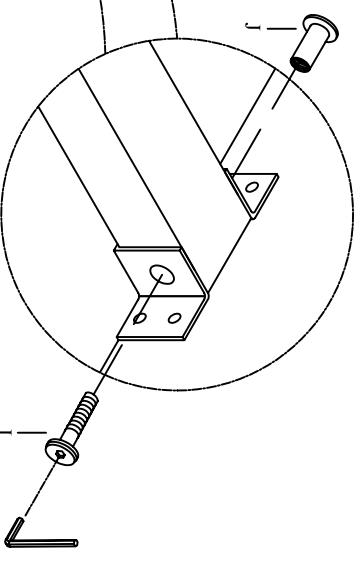
PAGE 2 OF 2

### STEP 5



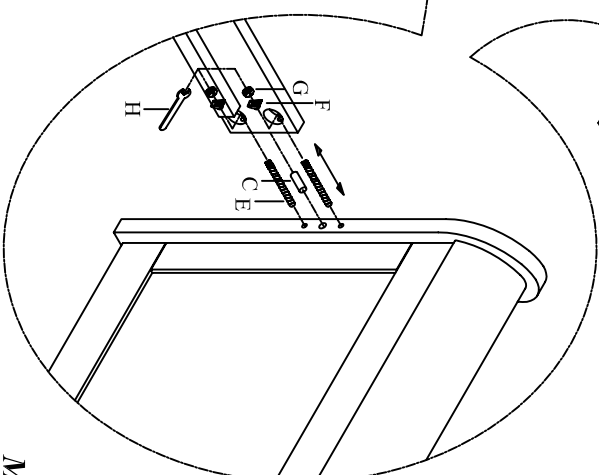
**STEP 5**  
Slat (11) assembly with Side Rail  
by 8 Screw (D).  
The assembly is now complete.

### STEP 4



**STEP 4**  
HB/FB assembly with Center Rail (10)  
by 2 Bolts (J).

### STEP 3



**STEP 3**  
HB/FB assembly with Side Rail (9)  
by 8 Bolts (F) & 8 Half moon (F)  
& 8 Hex nut (G) 4 wood dowel (C).

