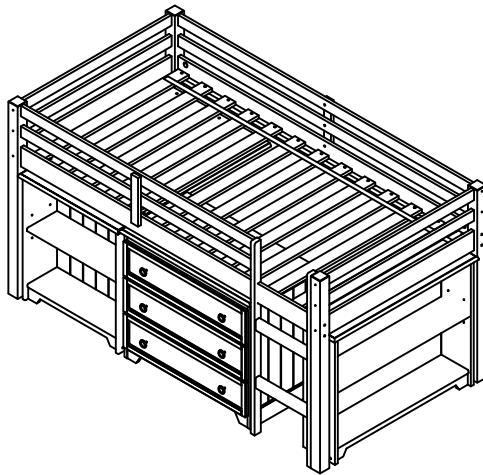









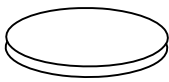


ASSEMBLY INSTRUCTION

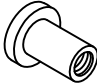

Model : 235 AG - Low Loft Bed



HARDWARE LIST

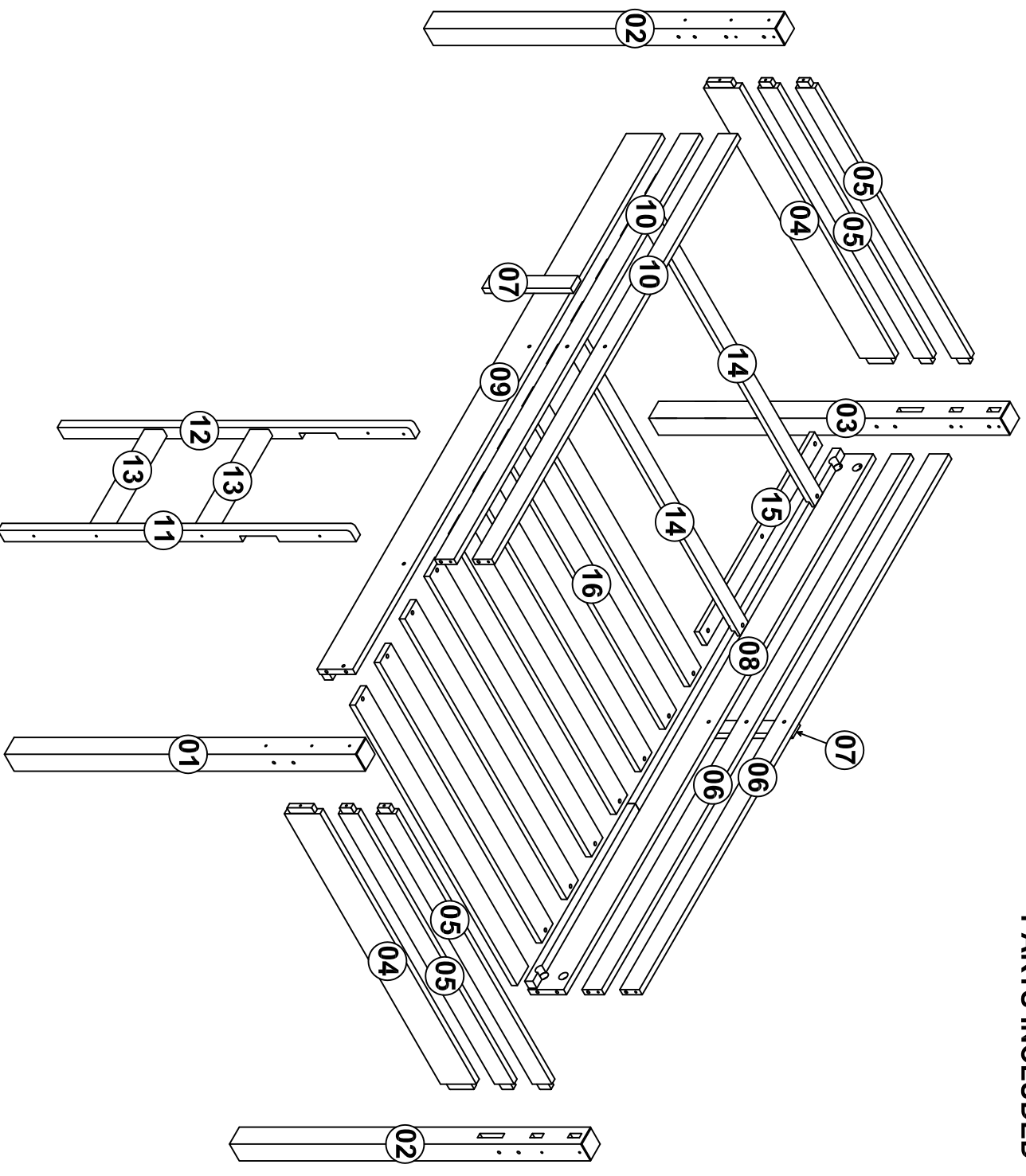
| | | | |
|----------|---|---------------------|--------|
| A |  | Ø1/4 * 95mm | 18 pcs |
| B |  | Ø1/4 * 110mm | 8 pcs |
| C |  | Ø8 * 40mm | 12 pcs |
| D |  | (Ø1/4")22 * 12*10mm | 8 pcs |
| E |  | Ø1/4 * 60mm | 8 pcs |
| F |  | Ø10 * 40mm | 8 pcs |
| G |  | Ø1/4 * 30mm | 12 pcs |
| H |  | Ø4 * 50mm | 1 pc |
| i |  | Ø4 * 30mm | 22 pcs |
| |  | FELT | 1 pc |

HARDWARE ENCLOSE

| | | | |
|----------|---|-------------|-------|
| J |  | Ø9 * 15mm | 3 pcs |
| G |  | Ø1/4 * 30mm | 3 pcs |

ASSEMBLY INSTRUCTION
Model : 235 AG - Low Loft Bed

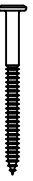

PARTS INCLUDED

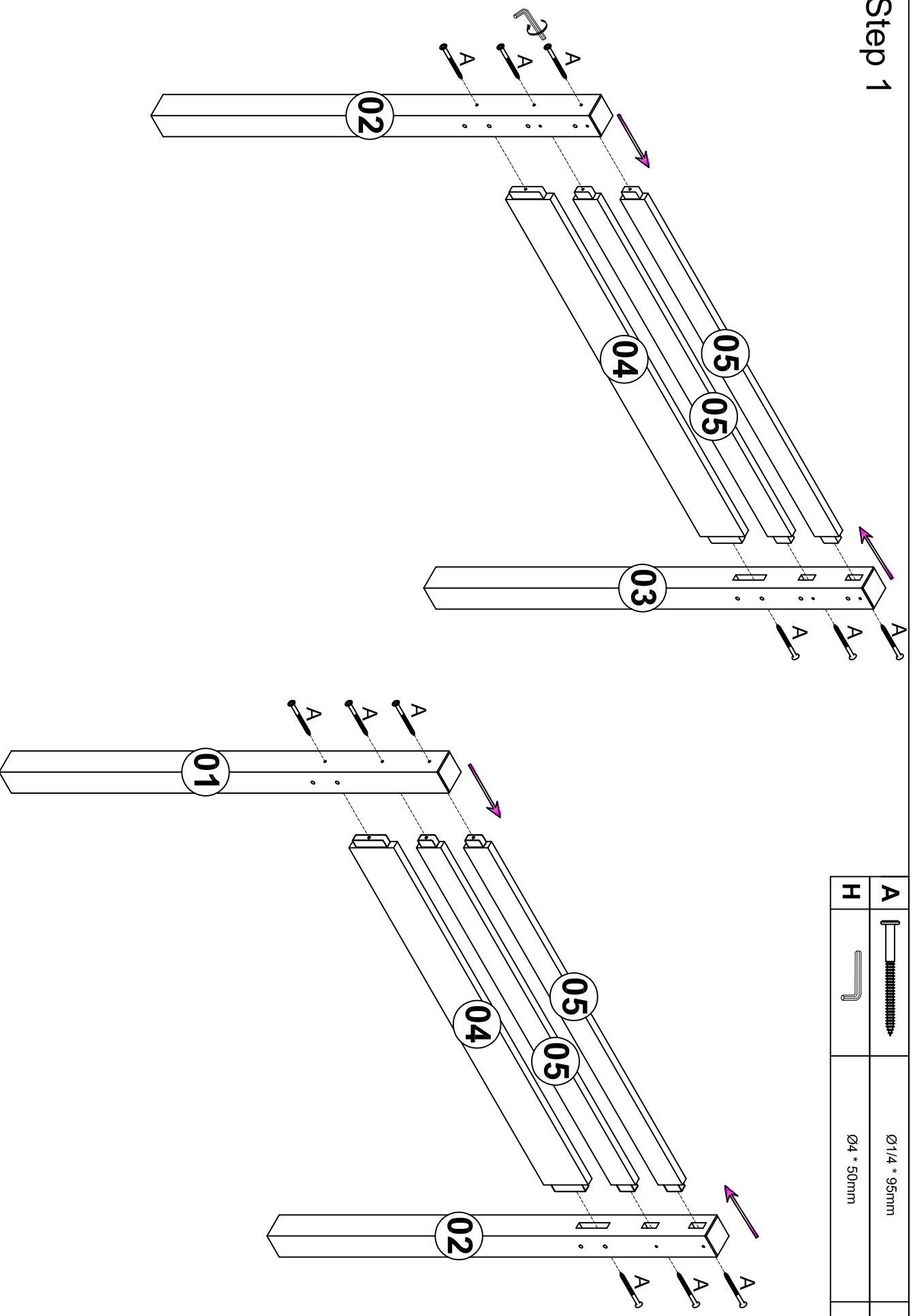


ASSEMBLY INSTRUCTION

Model : 235 AG - Low Loft Bed

Step 1

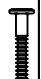
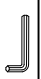
| | | | |
|---|---|-------------|--------|
| A |  | Ø1/4 * 95mm | 12 pcs |
| H |  | Ø4 * 50mm | 1 pc |

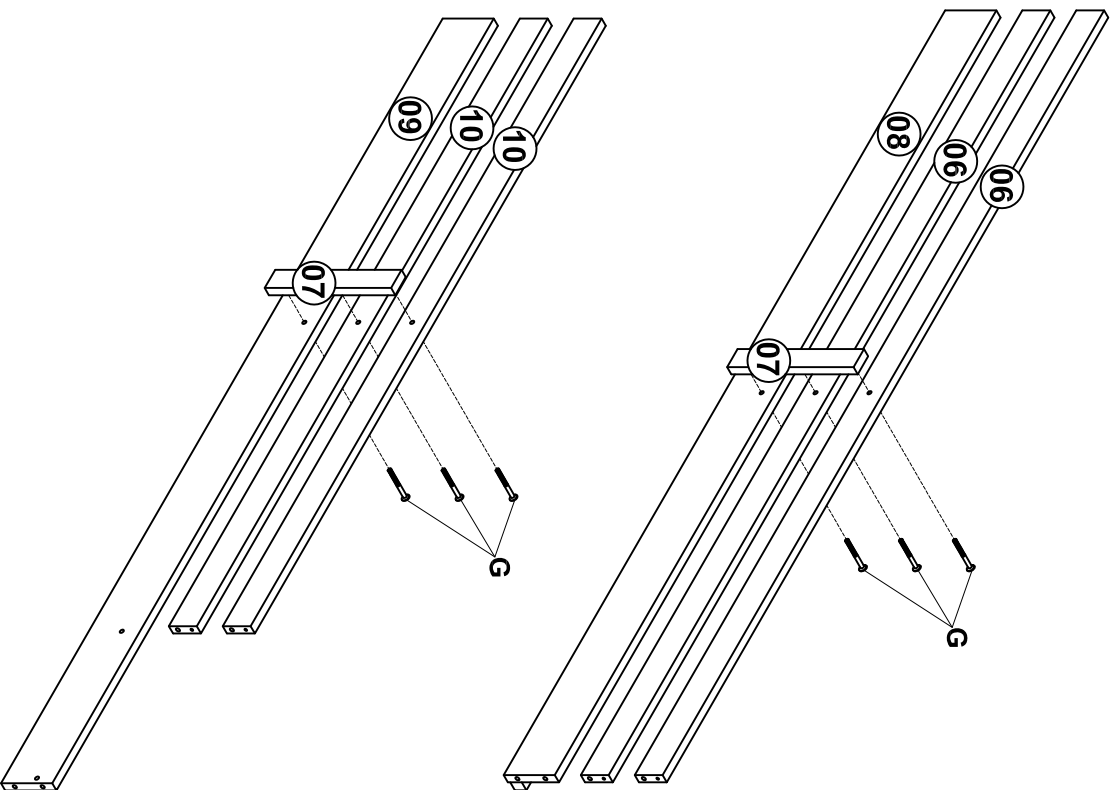


ASSEMBLY INSTRUCTION






Model : 235 AG - Low Loft Bed

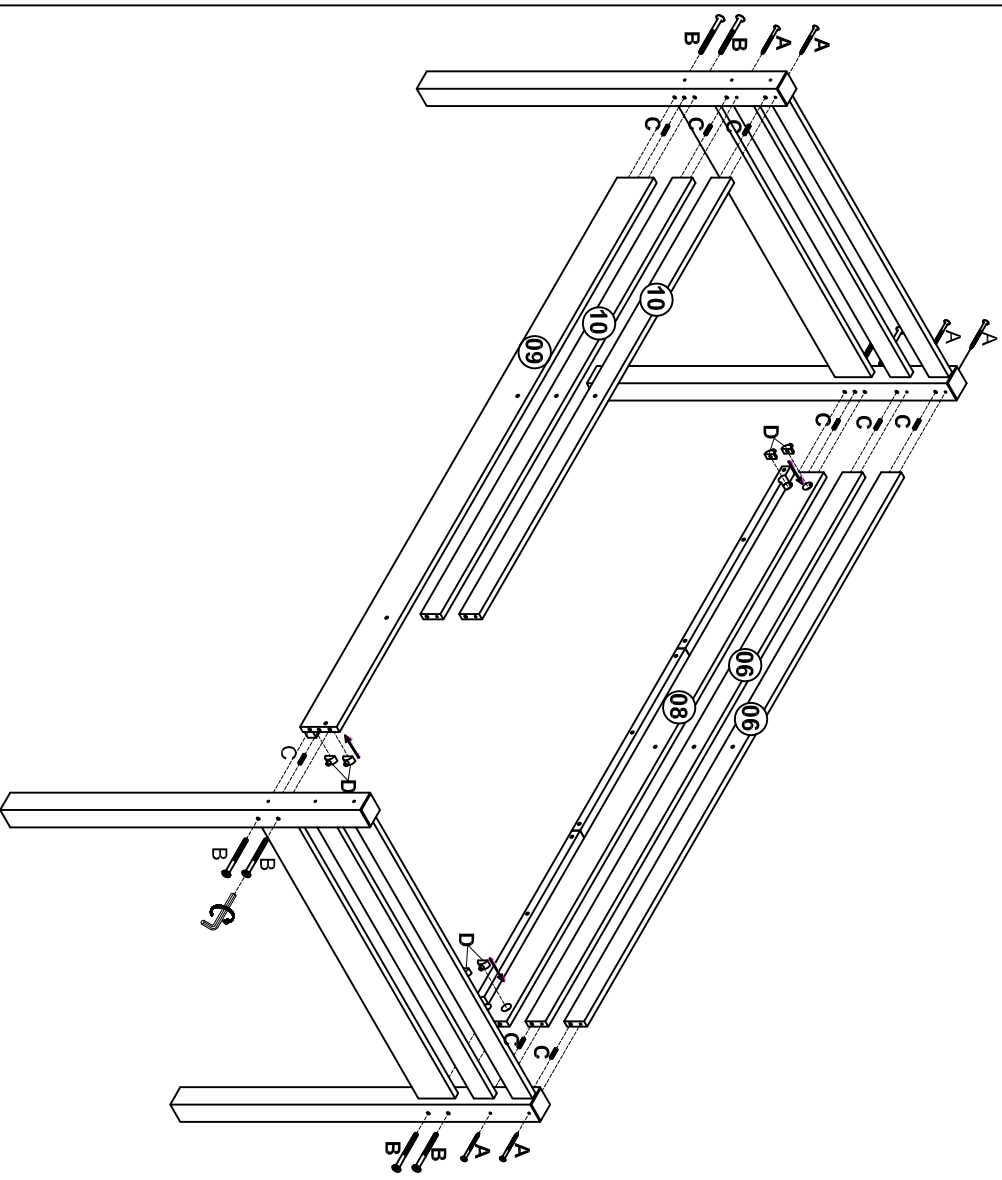
Step 2

| | | | |
|---|---|--------------|-------|
| G |  | Ø1/4" * 30mm | 6 pcs |
| H |  | Ø4 * 50mm | 1 pc |



Step 2




| | | | |
|---|---|---------------------|--------|
| A |  | Ø1/4" * 95mm | 6 pcs |
| B |  | Ø1/4" * 110mm | 8 pcs |
| C |  | Ø8 * 40mm | 10 pcs |
| D |  | (Ø1/4")22 * 12"10mm | 8 pcs |
| H |  | Ø4 * 50mm | 1 pc |

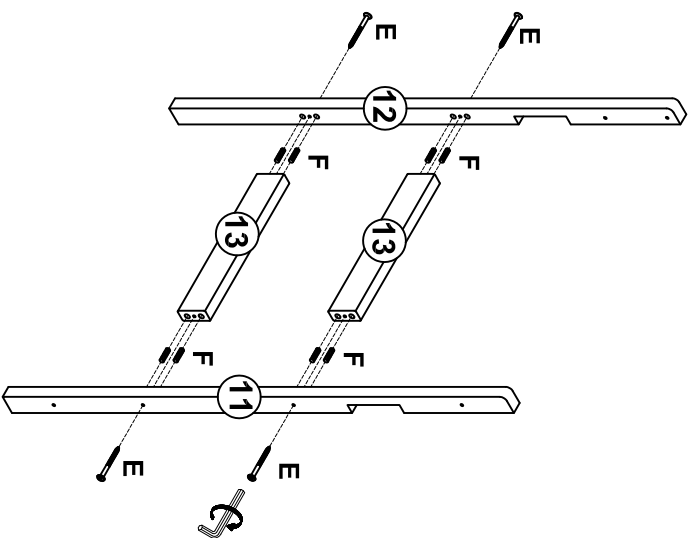


ASSEMBLY INSTRUCTION




Model : 235 AG - Low Loft Bed

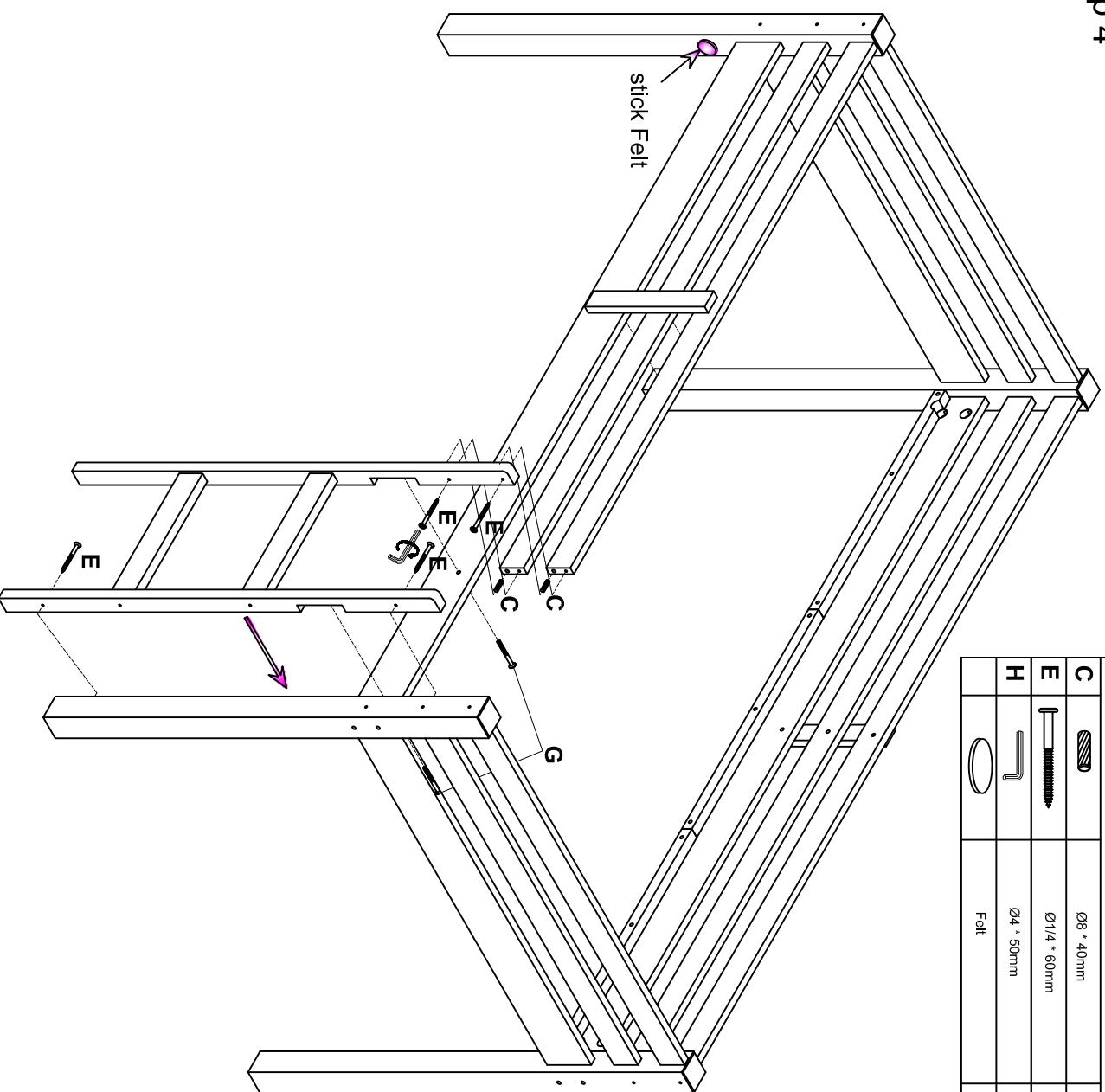
Step 3

| HARDWARE LIST | | |
|---------------|---|----------------------|
| E |  | Ø1/4 * 60mm 4 pcs |
| F |  | Ø10 * 40mm 8 pcs |
| H |  | Ø4 * 50mm 1 pc |



Step 4

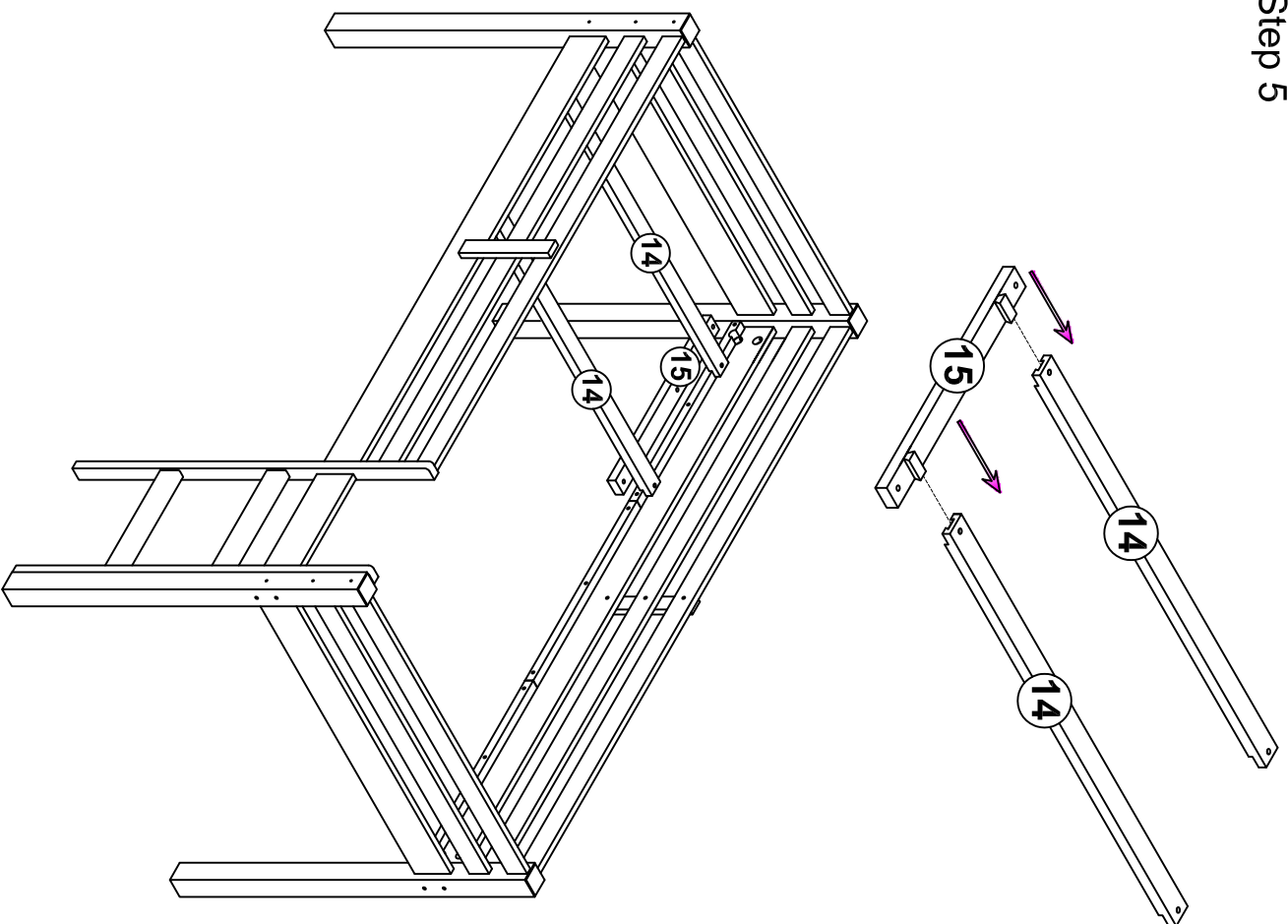
| HARDWARE LIST | | |
|---------------|---|----------------------|
| C |  | Ø8 * 40mm 2 pcs |
| E |  | Ø1/4 * 60mm 4 pcs |
| H |  | Ø4 * 50mm 1 pc |
| | | Felt 1 pc |



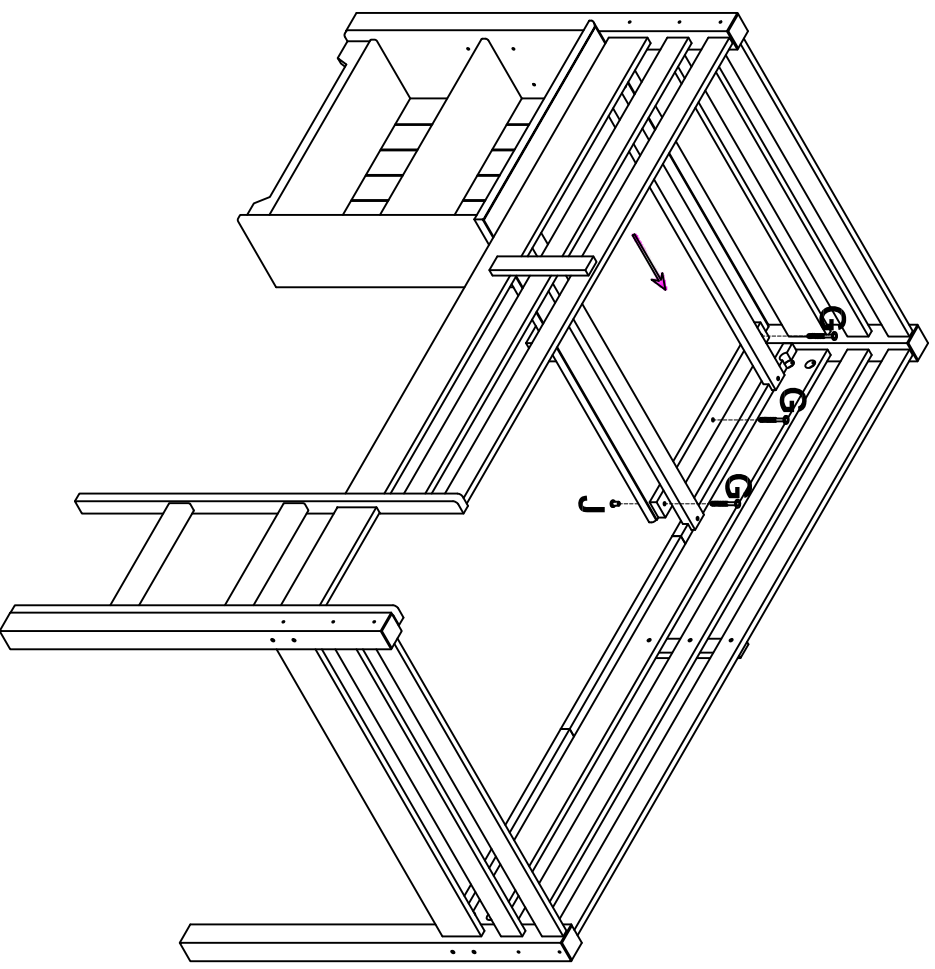
ASSEMBLY INSTRUCTION

Model : 235 AG - Low Loft Bed

Step 5



Step 6





| | | | |
|---|---|------------|-------|
| G |  | Ø14 * 30mm | 3 pcs |
| H |  | Ø9 * 15mm | 3 pcs |

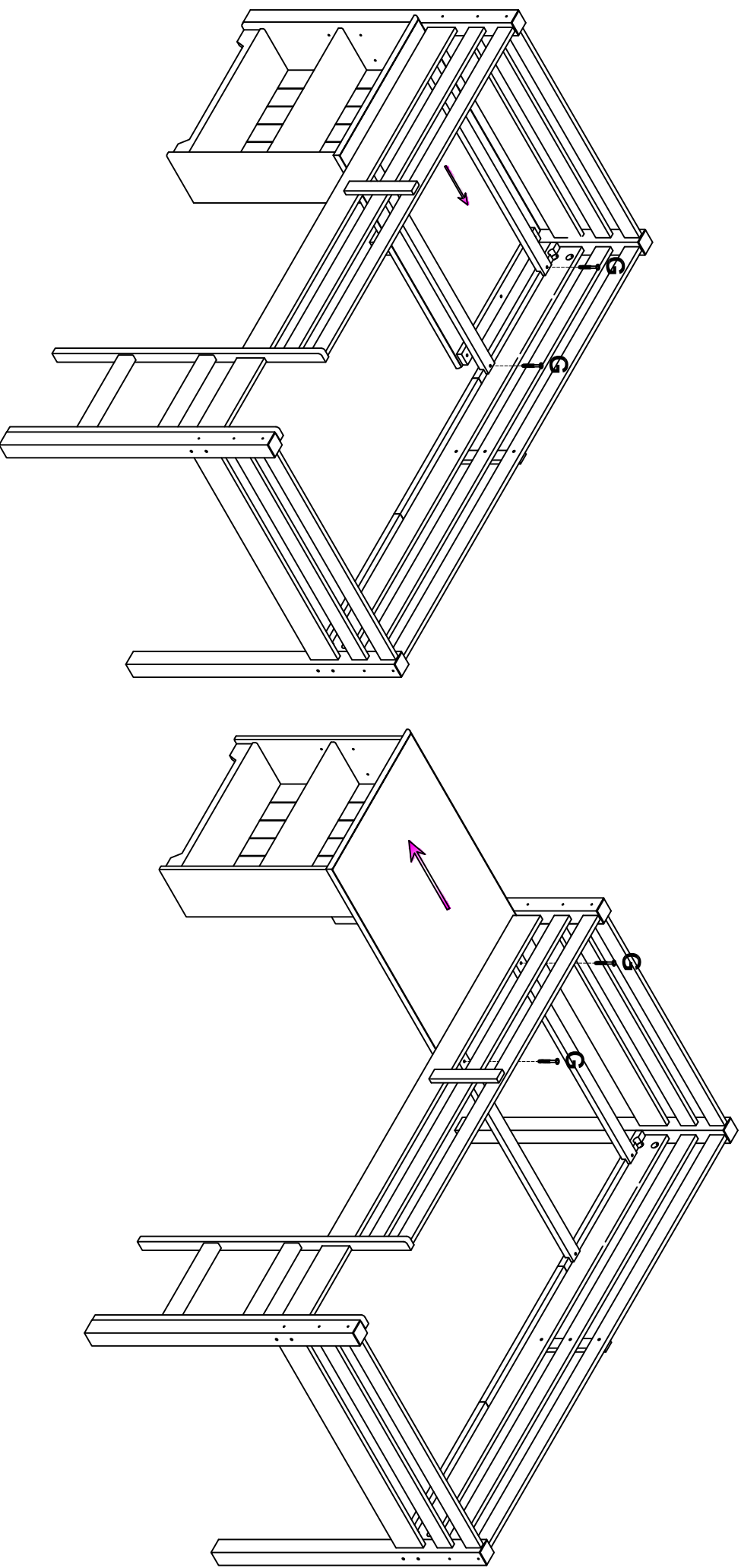
ASSEMBLY INSTRUCTION
Model : 235 AG - Low Loft Bed

Step 7

Note:

Push the Low Loft Desk close the side rail inside, tight with wrench. Do not overtighten.
Pull out the Low Loft Desk close the side rail outside, tight with wrench. Do not overtighten.
TO ENSURE THE LOW LOFT DESK SLIDING SMOOTHLY, THEN THESE BOLTS MUST BE DRIVEN IN TIGHTENLY.

| | | | |
|----------|---|-------------|-------|
| G |  | Ø1/4 * 30mm | 4 pcs |
| H |  | Ø4 * 50mm | 1 pc |



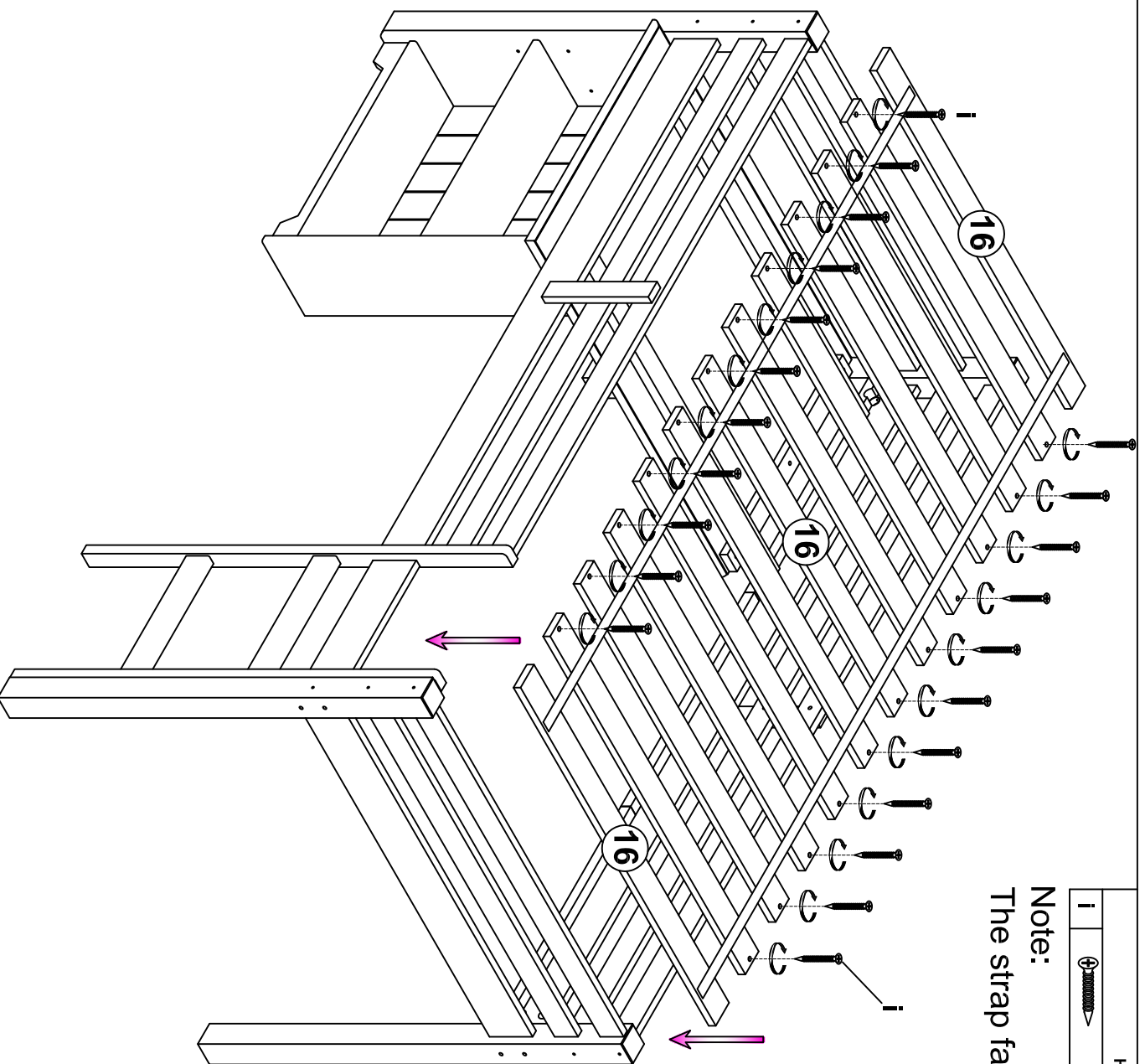
ASSEMBLY INSTRUCTION

Model : 235 AG - Low Loft Bed

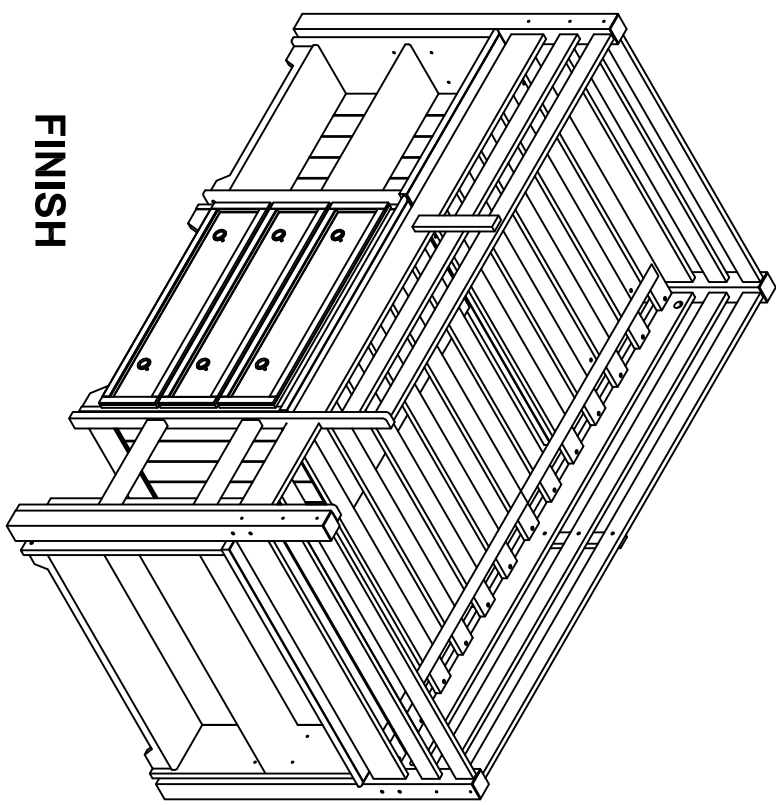
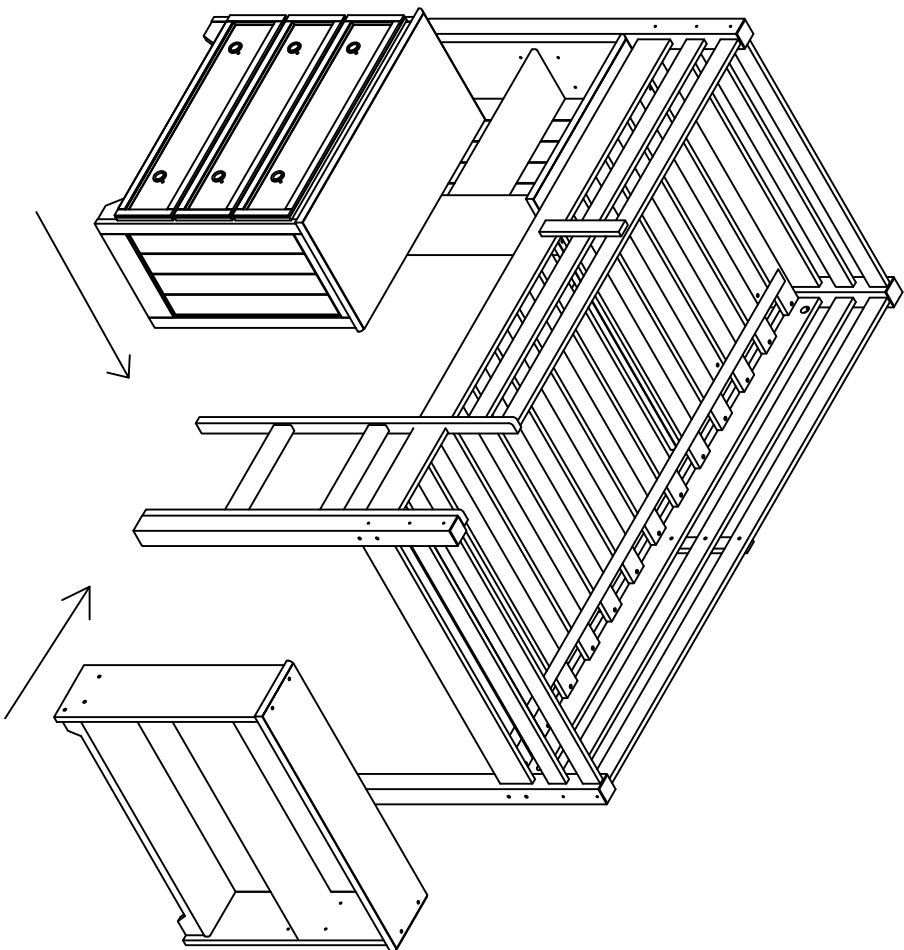
Step 8

| HARDWARE LIST | | |
|---------------|---|--------|
| i |  | |
| | Ø4 * 30mm | 22 pcs |

Note:
The strap face upward.



ASSEMBLY INSTRUCTION
Model : 235 AG - Low Loft Bed



FINISH