



#WL-122-3 BUNK BED

SAFETY WARNINGS

1. Follow the information on the warnings appearing on the upper bunk end structure and on the carton. Do not remove warning label from bed.
2. Always use the recommended size mattress or mattress support, or both, to help prevent the likelihood of entrapment or falls.
3. Surface of mattress must be at least 5 inches (127mm) below the upper edge of guardrails.
4. Do not allow children under 6 years of age to use the upper bunk.
5. Prohibit more than one person on the upper bunk
6. Periodicall, check and ensure that the guardrail, ladder, and other components are in their proper position, free from damage, and that all connectors are tight.
7. Do not allow horseplay on or under the bed and prohibit jumping on the bed.
8. Always use the ladder for entering and leaving the upper bunk.
9. Do not use substitute parts. Contact the manufacturer or dealer for replacement parts.
10. Use of a nightlight may provide added safety precaution for a child using the upper bunk.
11. Always use guardrail on both long sides of the upper bunk. If bunk bed will be placed next to the wall, the guardrail that runs the full length of the bed should be place against the wall to prevent entrapment between the bed and wall.
12. The use of water or sleep flotation mattresses is prohibited.
13. Keep these instruction for future reference.

STRANGULATION HAZARD - Never attach or hang items to any part of the bunk bed that are not designed for use with the bed ; for example, but not limited to, hooks, belts and jump ropes.

SIZE OF MATTRESS AND FOUNDATION

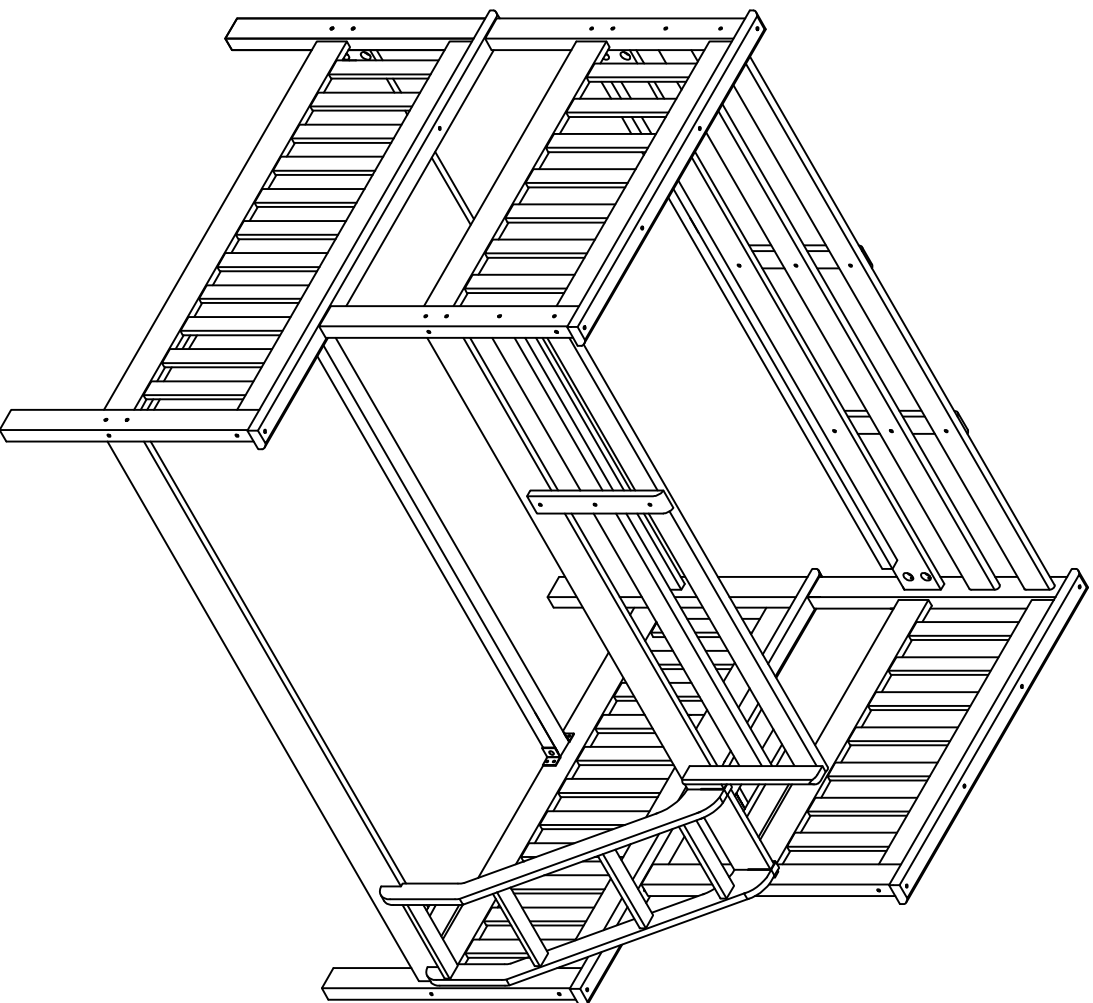
Use only mattress, foundation and deck combined which is 74-75 inches long and $37\frac{1}{2}$ - $38\frac{1}{2}$ inches wide on upper bunk

Ensure thickness of mattress and foundation combined does not exceed 9 inches and mattress and is at least 5 inches below upper edge of guardrails.

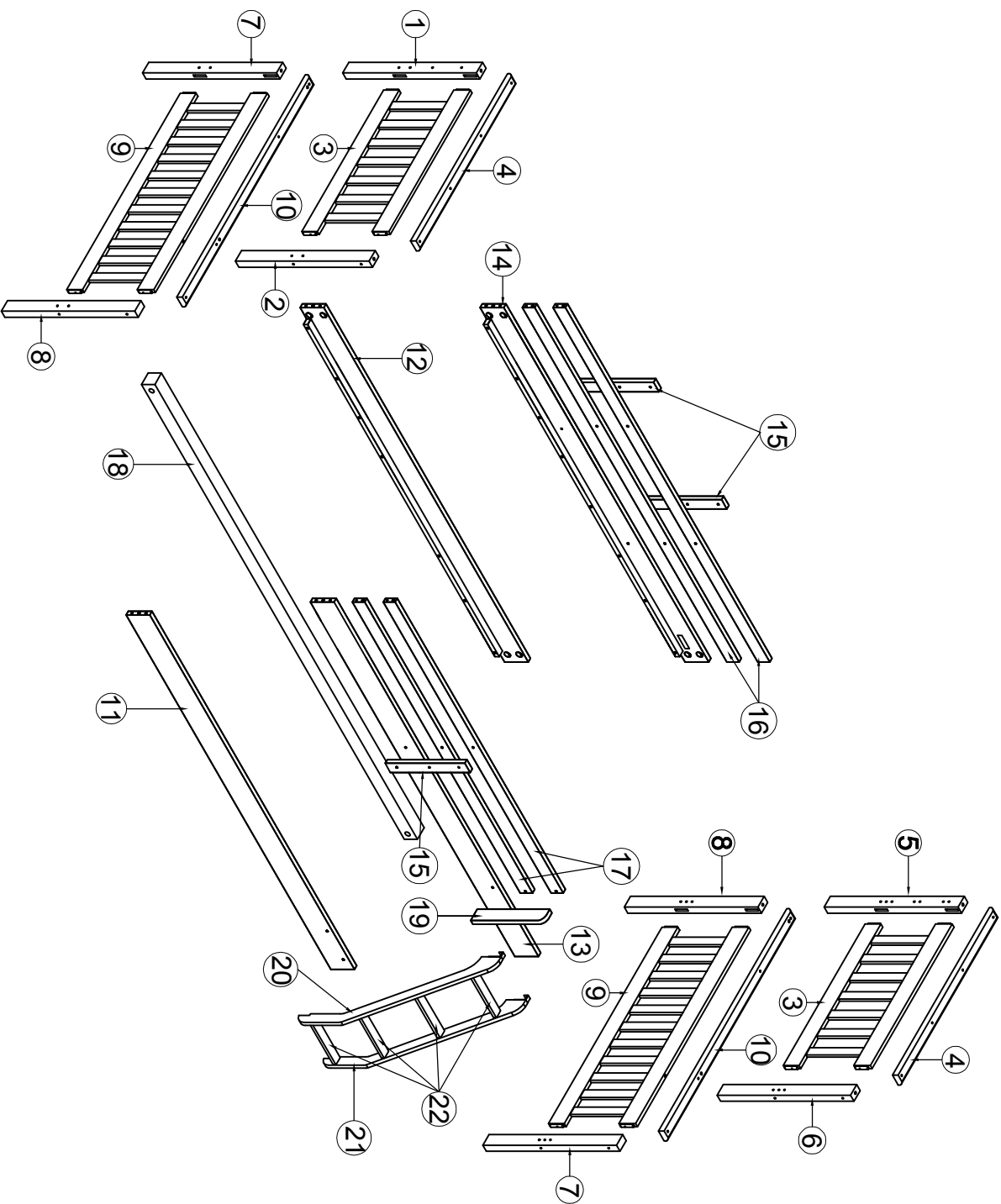
Replacement parts, may be obtained from any Donco dealer or directly from us at the below address.

**6801 Snowden Road Fort
Worth, Texas 76140**


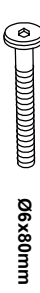








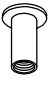






ASSEMBLY INSTRUCTIONS - BUNK BED



ASSEMBLY INSTRUCTIONS - BUNK BED

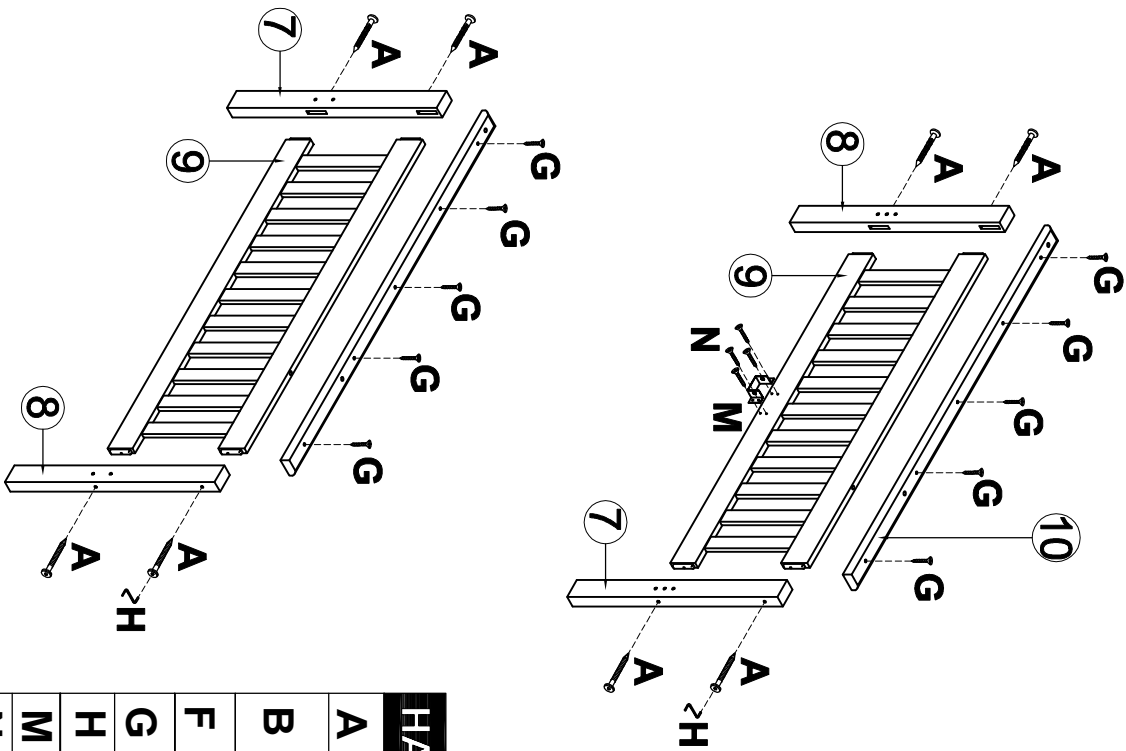


COMPLETE HARDWARE LIST

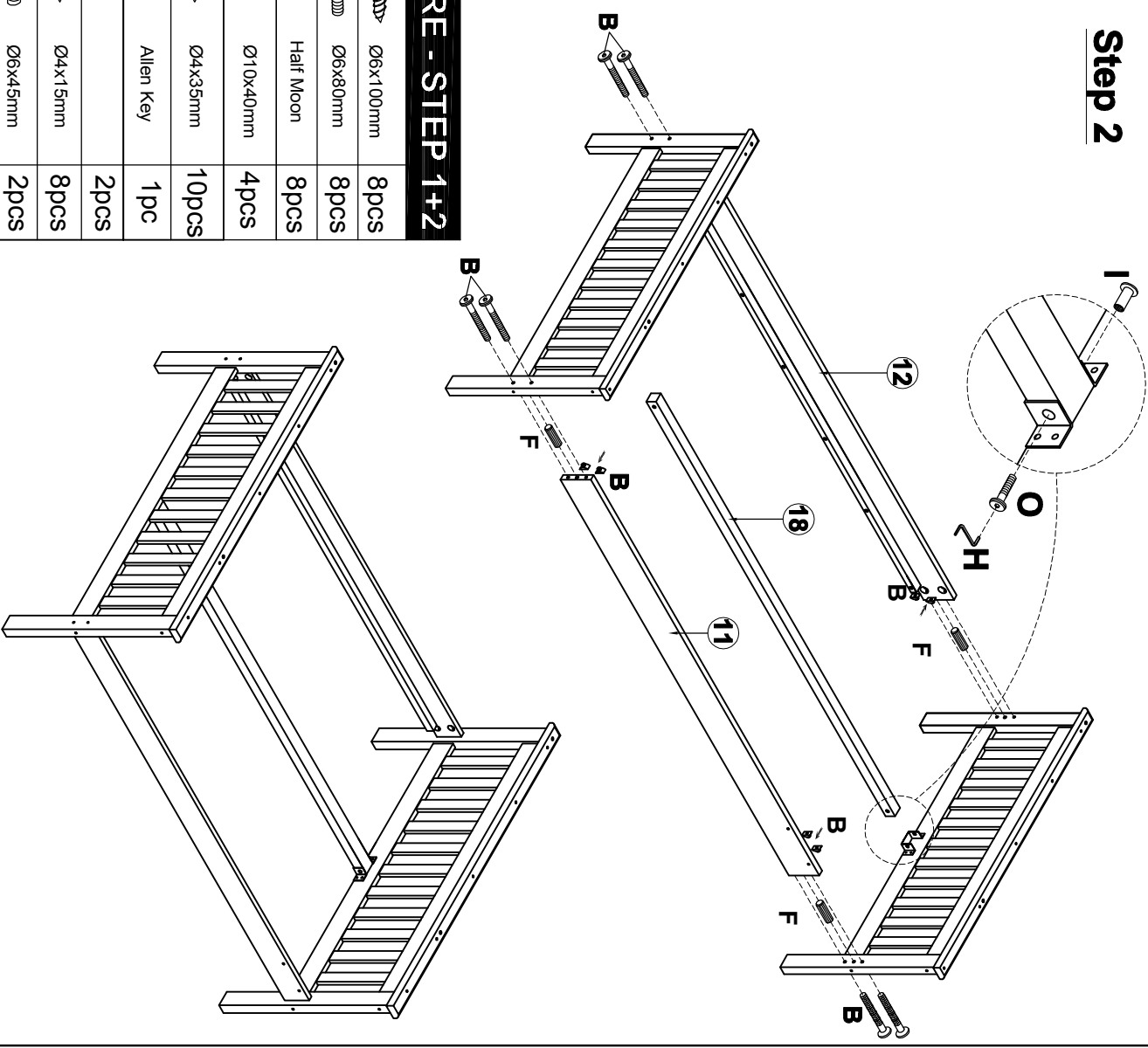
A	 Ø6x100mm	16pcs
	 Ø6x80mm	16pcs
B	 Half Moon	16pcs
	 Ø6x50mm	8pcs
C	 Ø6x65mm	6pcs
D	 Wood Dowel Ø12x110mm	4pcs
E	 Ø10x40	30pcs
F	 Ø4x35mm	18pcs
G	 Allen Key	1pc
H	 Ø6x35mm	14pcs
	 Female Half Moon	11pcs
I		2pcs
J		2pcs
K	 Ø4x35mm	4pcs
M		2pcs
N	 Ø4x15mm	10pcs
O	 Ø6x45mm	2pcs

ASSEMBLY INSTRUCTIONS - BUNK BED






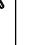


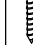

Step 1



Step 2

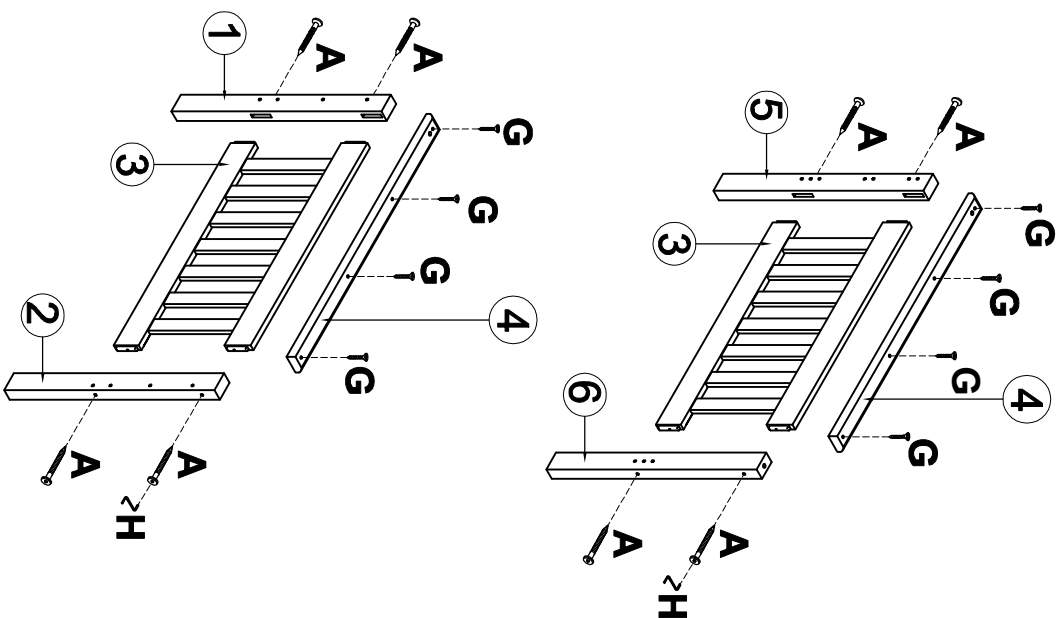


HARDWARE - STEP 1+2

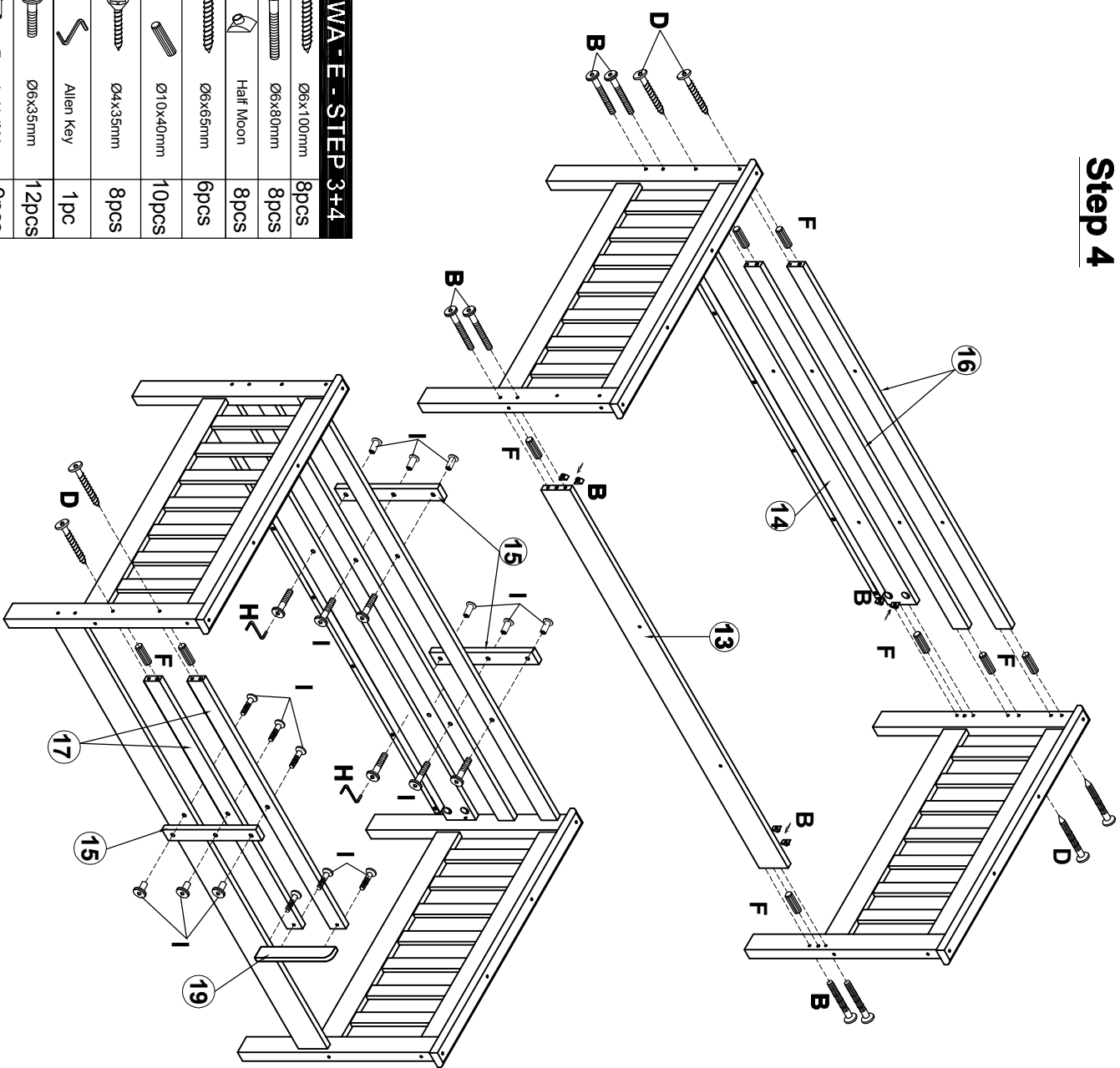
A		Ø6x100mm	8pcs
B		Ø6x80mm	8pcs
		Half Moon	8pcs
F		Ø10x40mm	4pcs
G		Ø4x35mm	10pcs
H		Allen Key	1pc
M			2pcs
N		Ø4x15mm	8pcs
O		Ø6x45mm	2pcs
I		Female Half Moon	2pcs

ASSEMBLY INSTRUCTIONS - BUNK BED

Step 3



Step 4

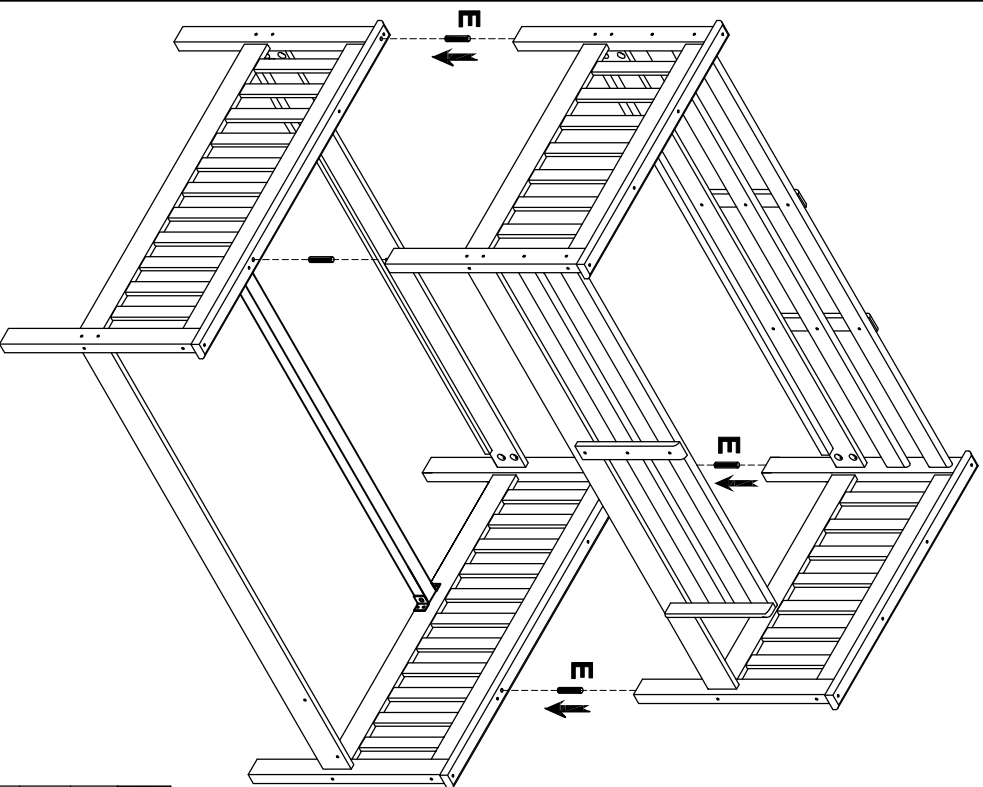


HARDWARE - E - STEP 3+4

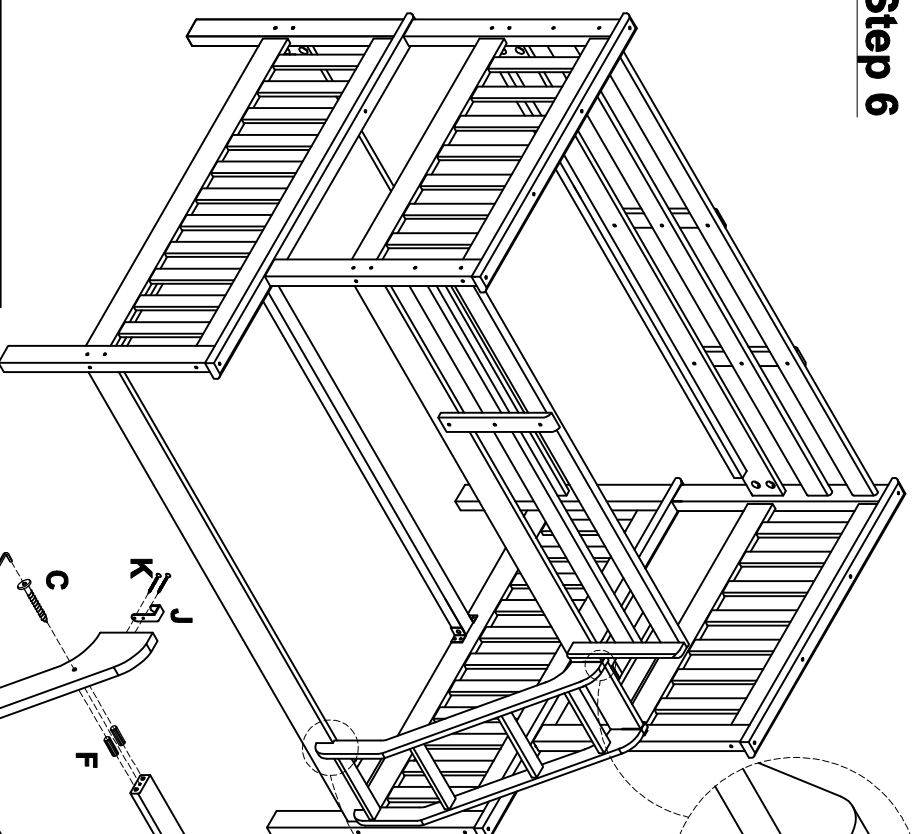
A		Ø6x100mm	8pcs
B		Ø6x80mm	8pcs
D		Ø6x65mm	6pcs
F		Ø10x40mm	10pcs
G		Ø4x35mm	8pcs
H		Allen Key	1pc
I		Ø6x35mm	12pcs
		Female Half Moon	9pcs

ASSEMBLY INSTRUCTIONS - BUNK BED


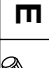
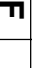
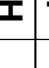
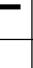
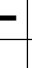
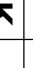
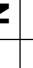
Step 5

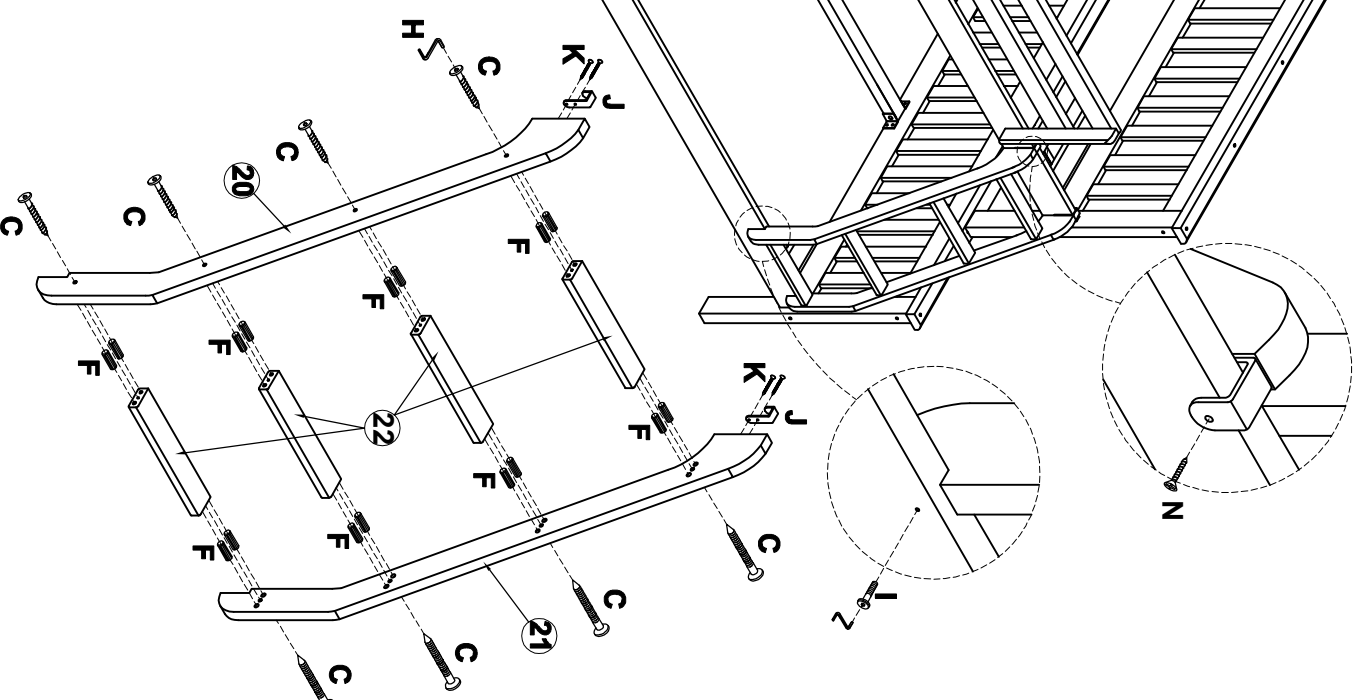


Step 6



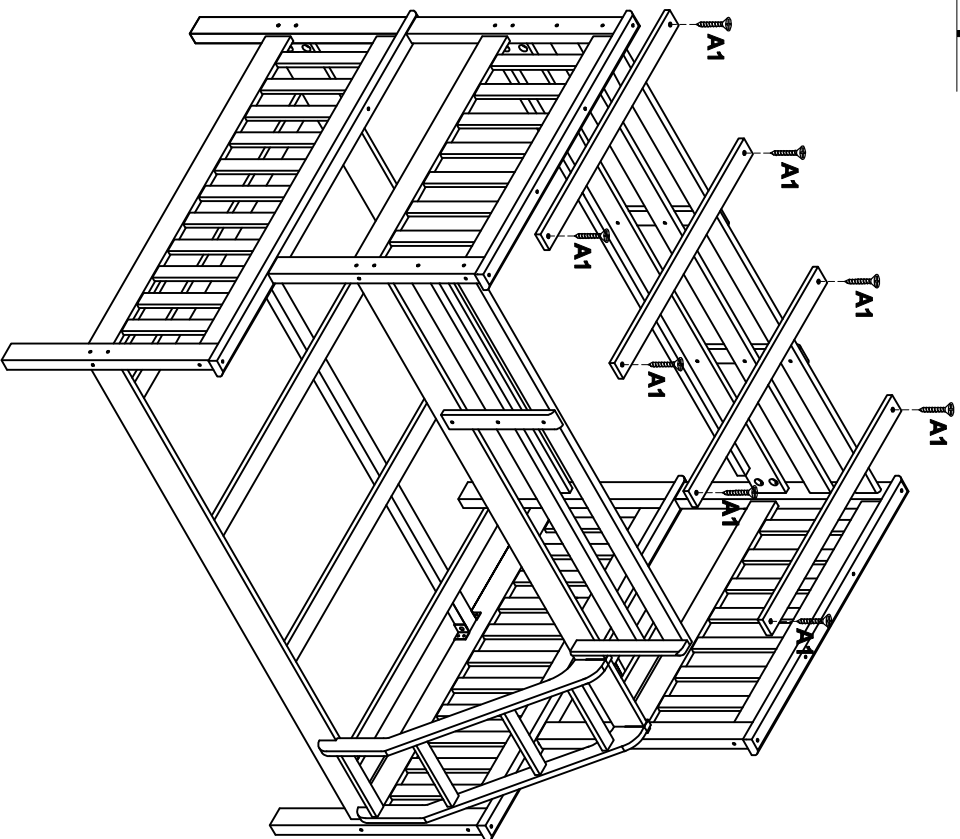
HARDWARE - STEP 5+6

C		Ø6x50mm	8pcs
E		Ø12x110mm Wood dowel	4pcs
F		Ø10x40mm	16pcs
H		Allen Key	1pc
I		Ø6x35mm	2pcs
J			2pcs
K		Ø4x35mm	4pcs
N		Ø4x15mm	2pcs

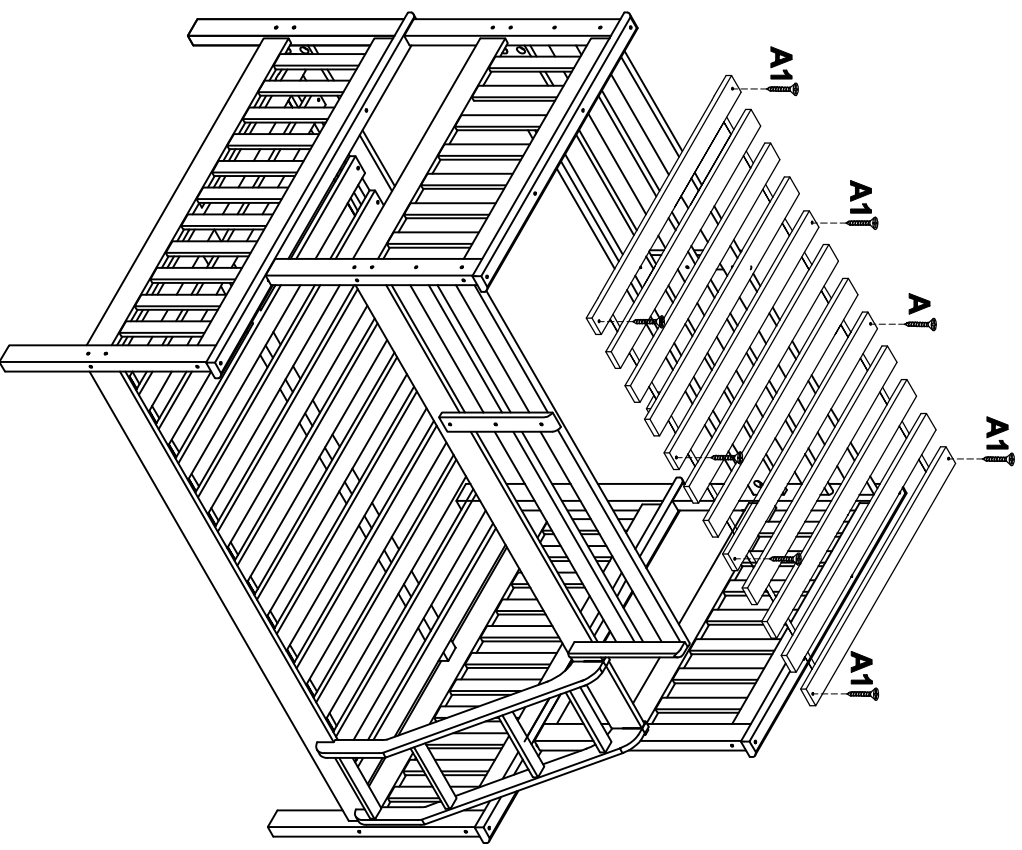


ASSEMBLY INSTRUCTIONS - BUNK BED

Step 7



Step 8



Important : Assembly Instructions for 8 or 24 slat options are located in slat box

HARDWARE - STEP 7+8

A1



Ø4x25mm

16pcs