



## **#WL-120-3 BUNK BED**

### **SAFETY WARNINGS**

1. Follow the information on the warnings appearing on the upper bunk end structure and on the carton. Do not remove warning label from bed.
2. Always use the recommended size mattress or mattress support, or both, to help prevent the likelihood of entrapment or falls.
3. Surface of mattress must be at least 5 inches (127mm) below the upper edge of guardrails.
4. Do not allow children under 6 years of age to use the upper bunk.
5. Prohibit more than one person on the upper bunk
6. Periodicall, check and ensure that the guardrail, ladder, and other components are in their proper position, free from damage, and that all connectors are tight.
7. Do not allow horseplay on or under the bed and prohibit jumping on the bed.
8. Always use the ladder for entering and leaving the upper bunk.
9. Do not use substitute parts. Contact the manufacturer or dealer for replacement parts.
10. Use of a nightlight may provide added safety precaution for a child using the upper bunk.
11. Always use guardrail on both long sides of the upper bunk. If bunk bed will be placed next to the wall, the guardrail that runs the full length of the bed should be place against the wall to prevent entrapment between the bed and wall.
12. The use of water or sleep flotation mattresses is prohibited.
13. Keep these instruction for future reference.

**STRANGULATION HAZARD** - Never attach or hang items to any part of the bunk bed that are not designed for use with the bed ; for example, but not limited to, hooks, belts and jump ropes.

### **SIZE OF MATTRESS AND FOUNDATION**

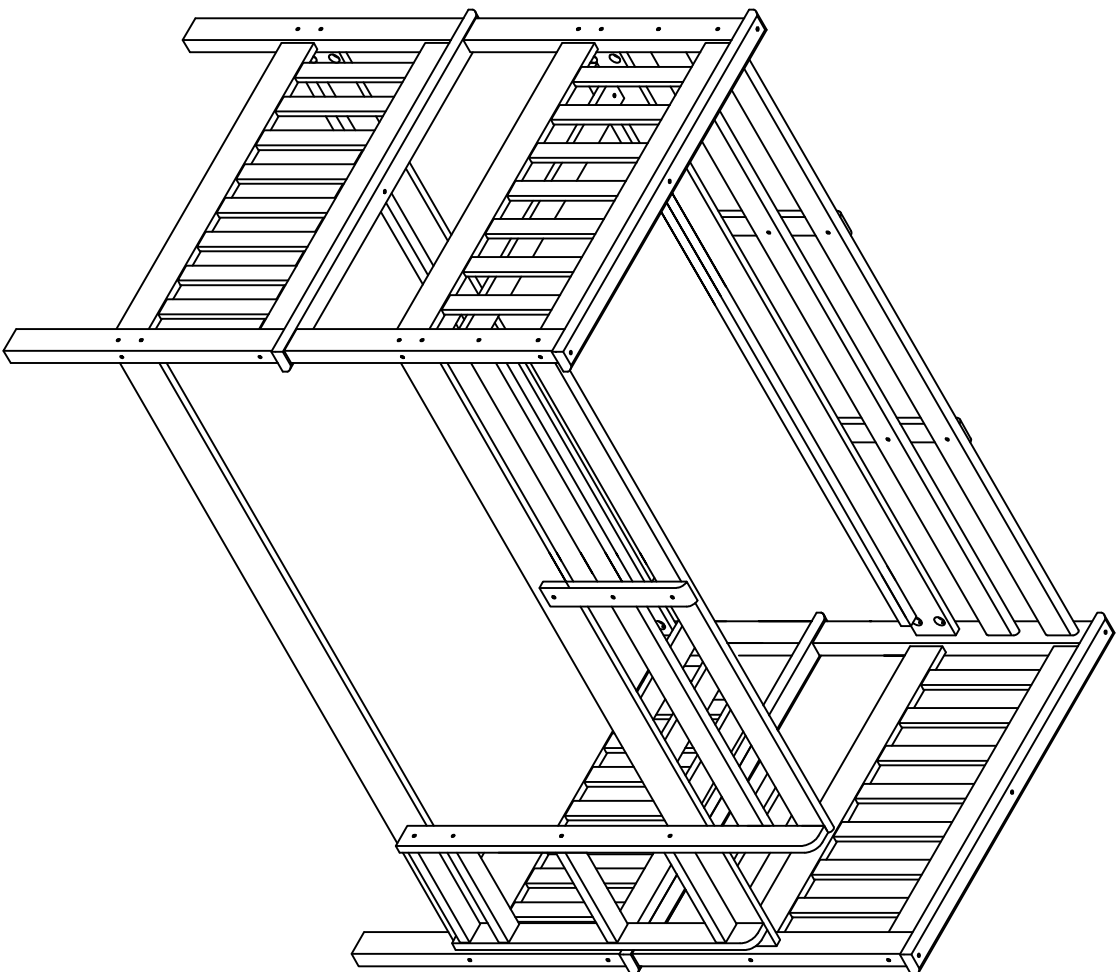
**Use only mattress, foundation and deck combined which is 74-75 inches long and  $37\frac{1}{2}$  -  $38\frac{1}{2}$  inches wide on upper bunk**

**Ensure thickness of mattress and foundation combined does not exceed 9 inches and mattress and is at least 5 inches below upper edge of guardrails.**

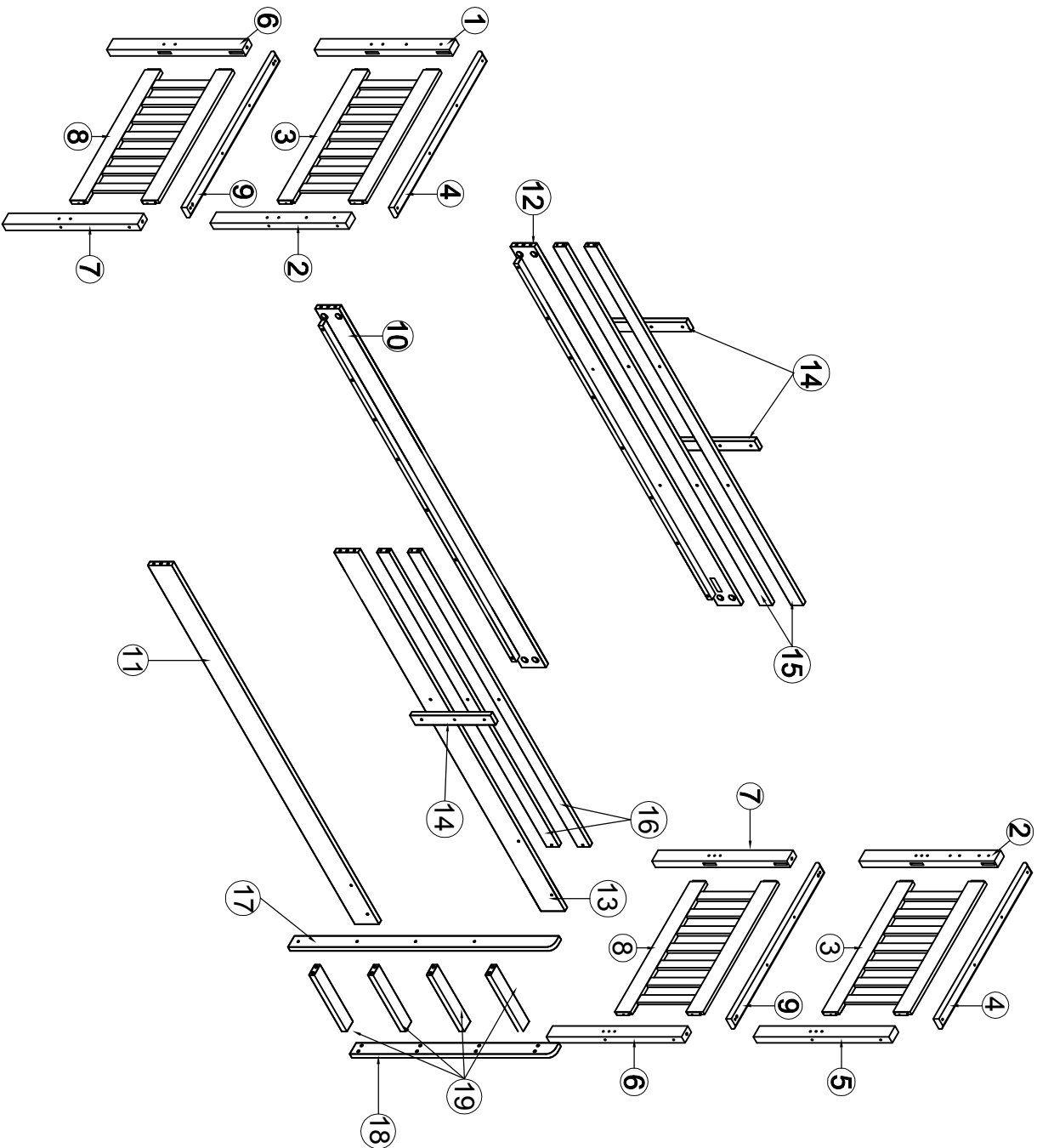
Replacement parts, may be obtained from any Donco dealer or directly from us at the below address.

**6801 Snowden Road Fort  
Worth, Texas 76140**


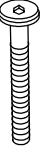







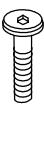

# ASSEMBLY INSTRUCTIONS - BUNK BED



# ASSEMBLY INSTRUCTIONS - BUNK BED

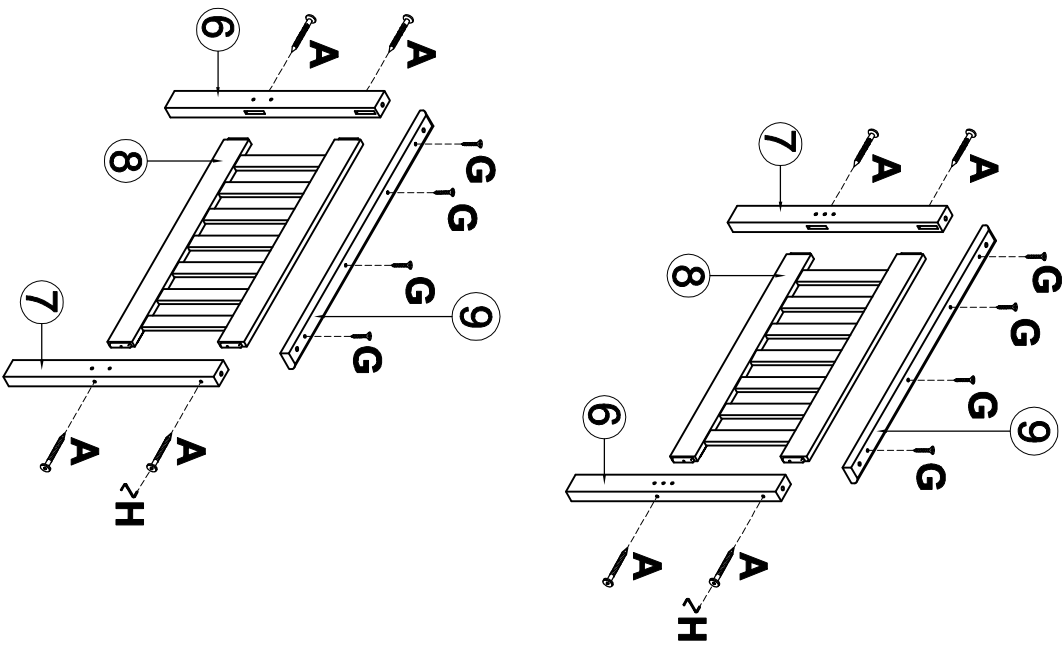


## COMPLETE HARDWARE LIST

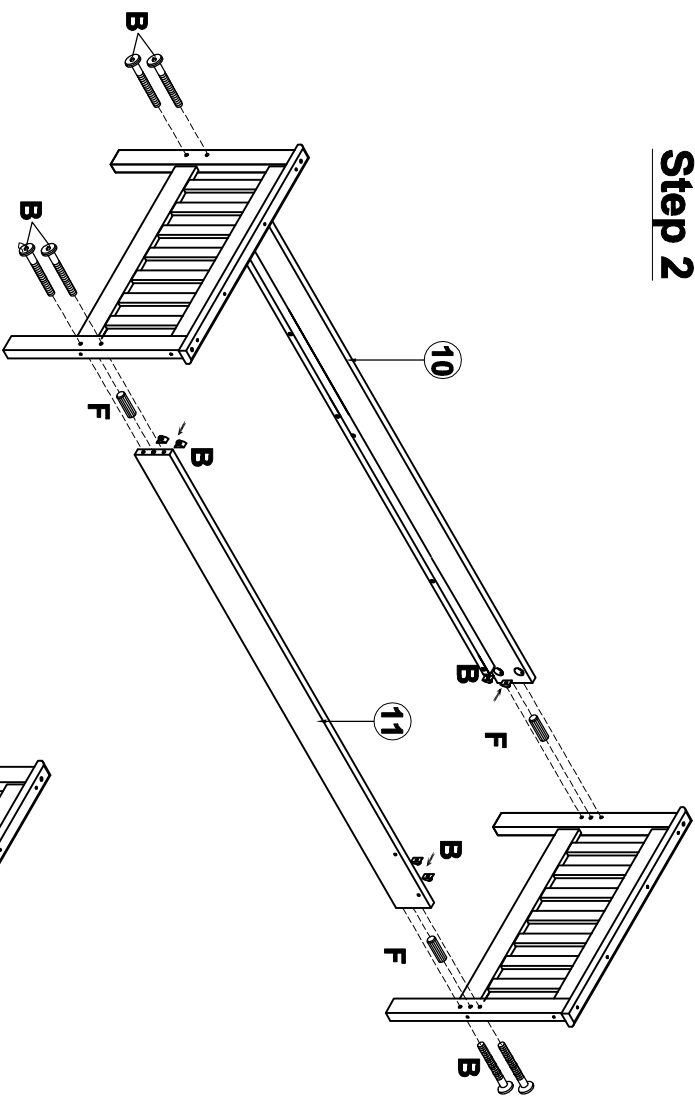
<b>A</b>		Ø6x100mm	16pcs
<b>B</b>		Ø6x80mm	16pcs
		Half Moon	16pcs
<b>C</b>		Ø6x50mm	8pcs
		Ø6x65mm	6pcs
<b>E</b>		Wood Dowell Ø12x110mm	4pcs
<b>F</b>		Ø10x40	30pcs
<b>G</b>		Ø4x35mm	16pcs
<b>H</b>		Allen Key	1pc
<b>I</b>		Ø6x35mm	15pcs
		Female Half Moon 6.3mmx15	9pcs

# ASSEMBLY INSTRUCTIONS - BUNK BED



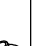



## Step 1

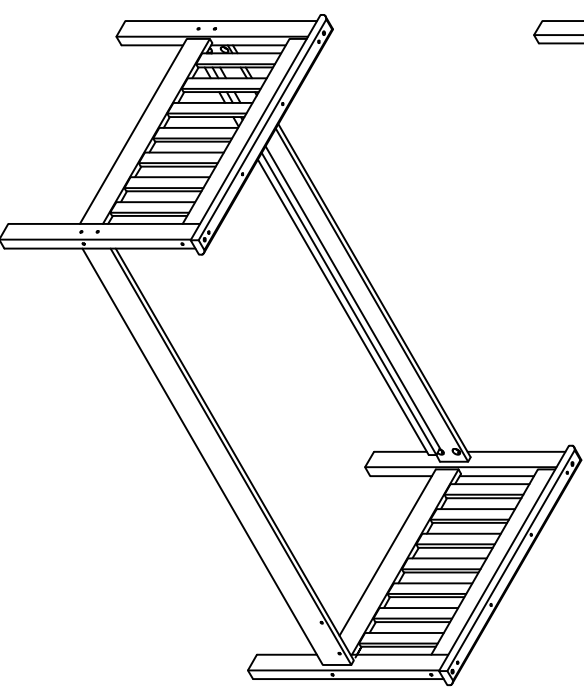


## Step 2



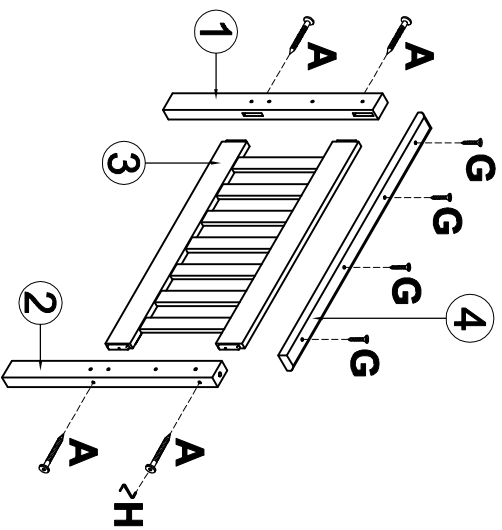
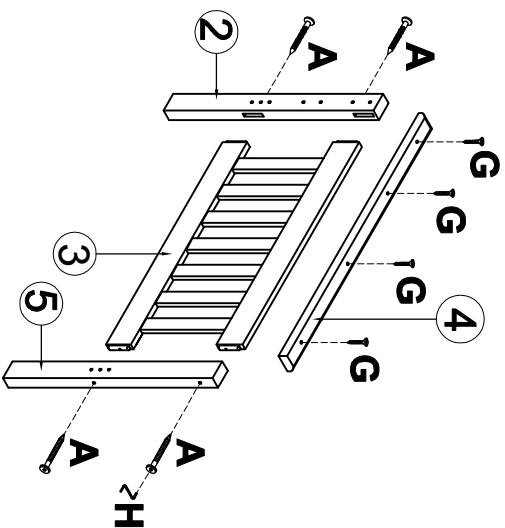
### HARDWARE - STEP 1+2

<b>A</b>		Ø6x100mm	8pcs
<b>B</b>		Ø6x80mm	8pcs
		Half Moon	8pcs
<b>F</b>		Ø10x40mm	4pcs
<b>G</b>		Ø4x35mm	8pcs
<b>H</b>		Allen Key	1pc

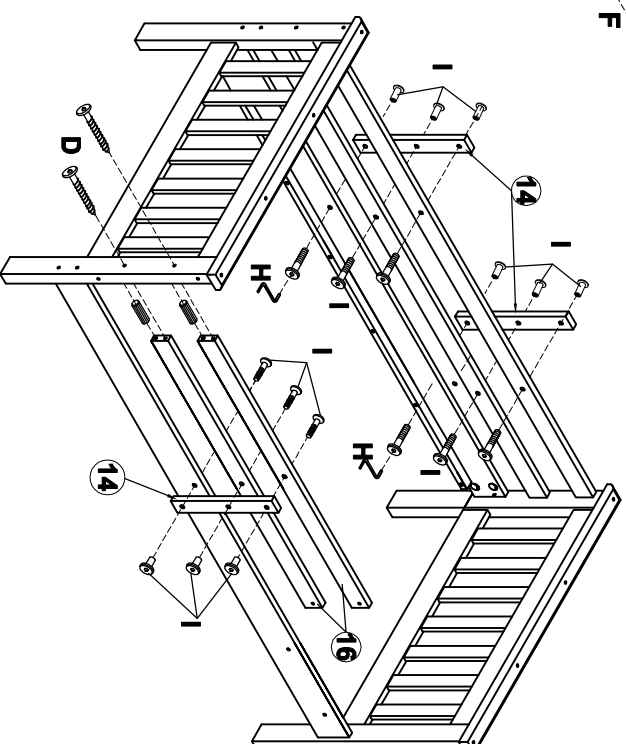
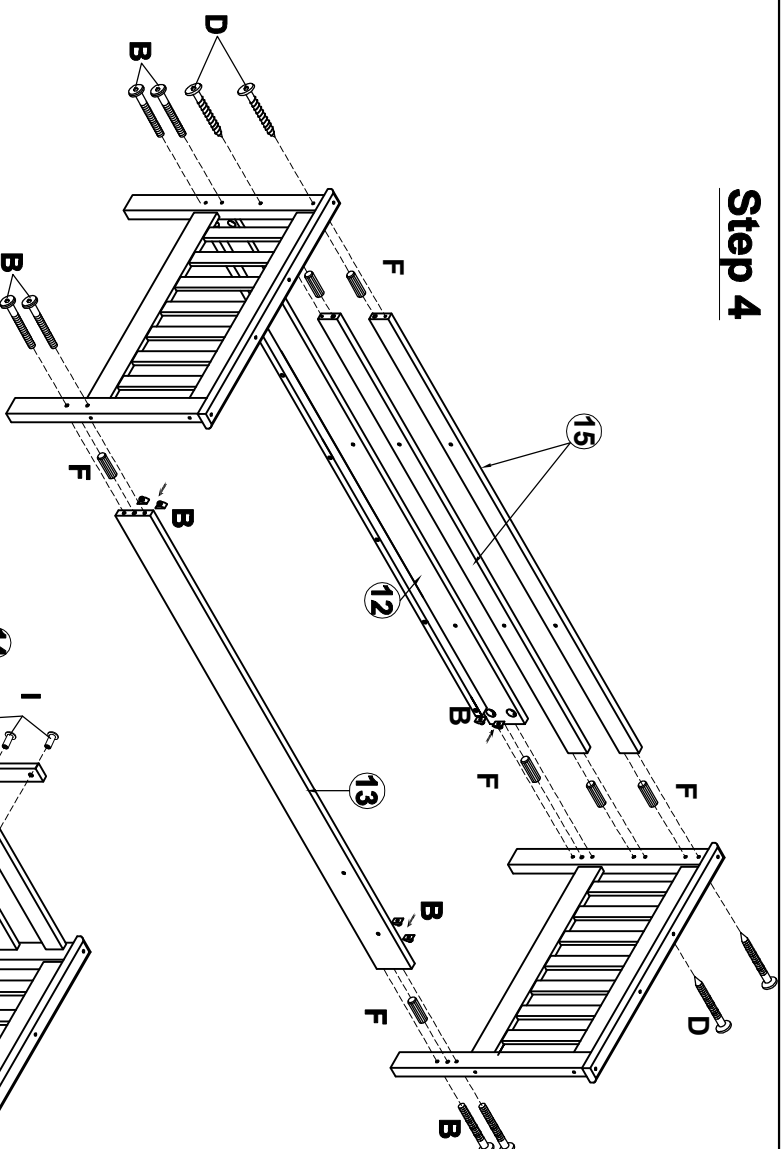


# ASSEMBLY INSTRUCTIONS - BUNK BED










## Step 3



## Step 4

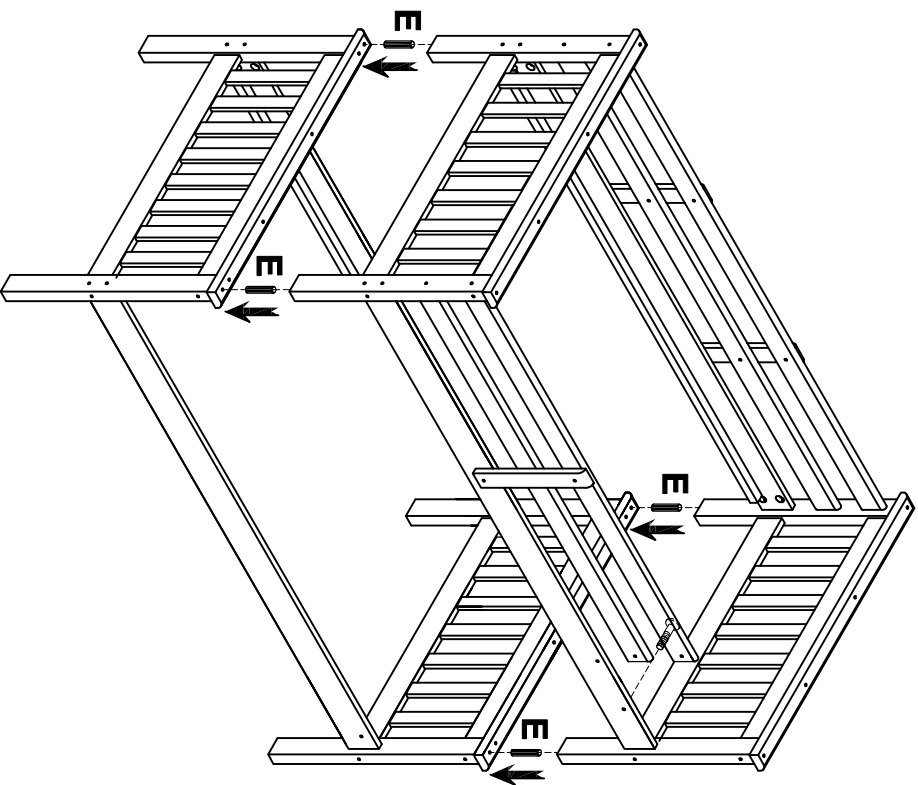


### HARDWARE - STEP 3+4

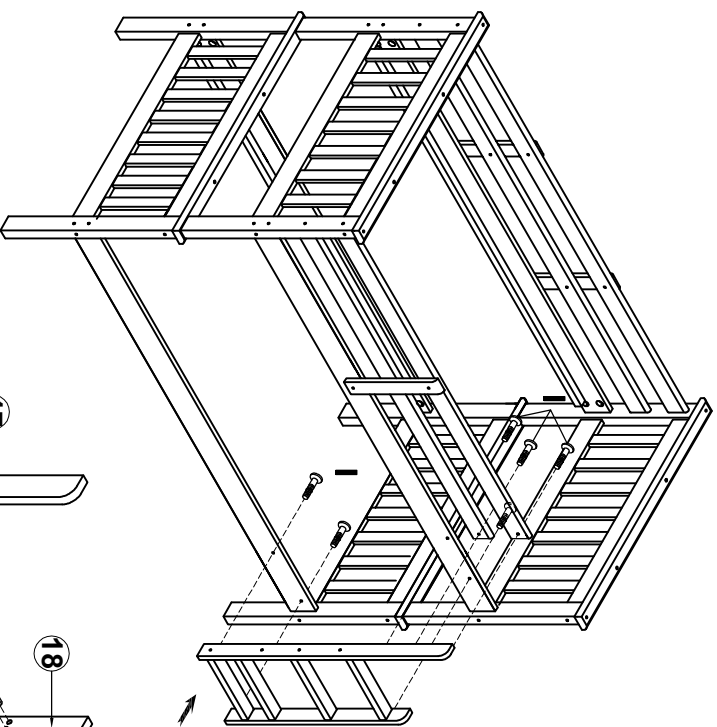
A		Ø6x100mm	8pcs
B		Ø6x80mm	8pcs
		Half Moon	8pcs
D		Ø6x65mm	6pcs
F		Ø10x40mm	10pcs
G		Ø4x35mm	8pcs
H		Allen Key	1pc
I		Ø6x35mm	9pcs
		Female Half Moon	9pcs

# ASSEMBLY INSTRUCTIONS - BUNK BED






## Step 5

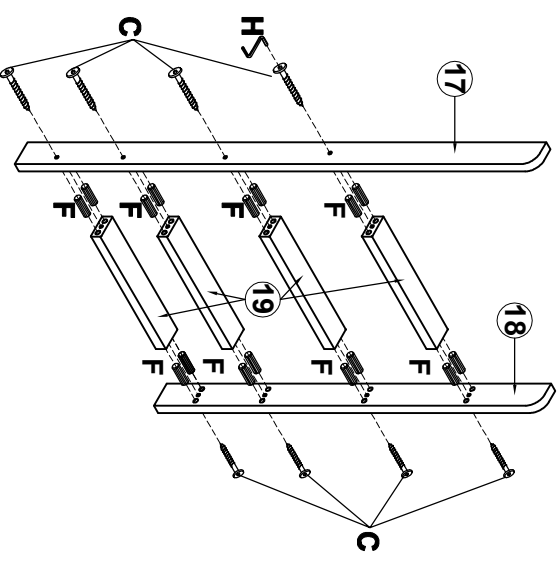


## Step 6



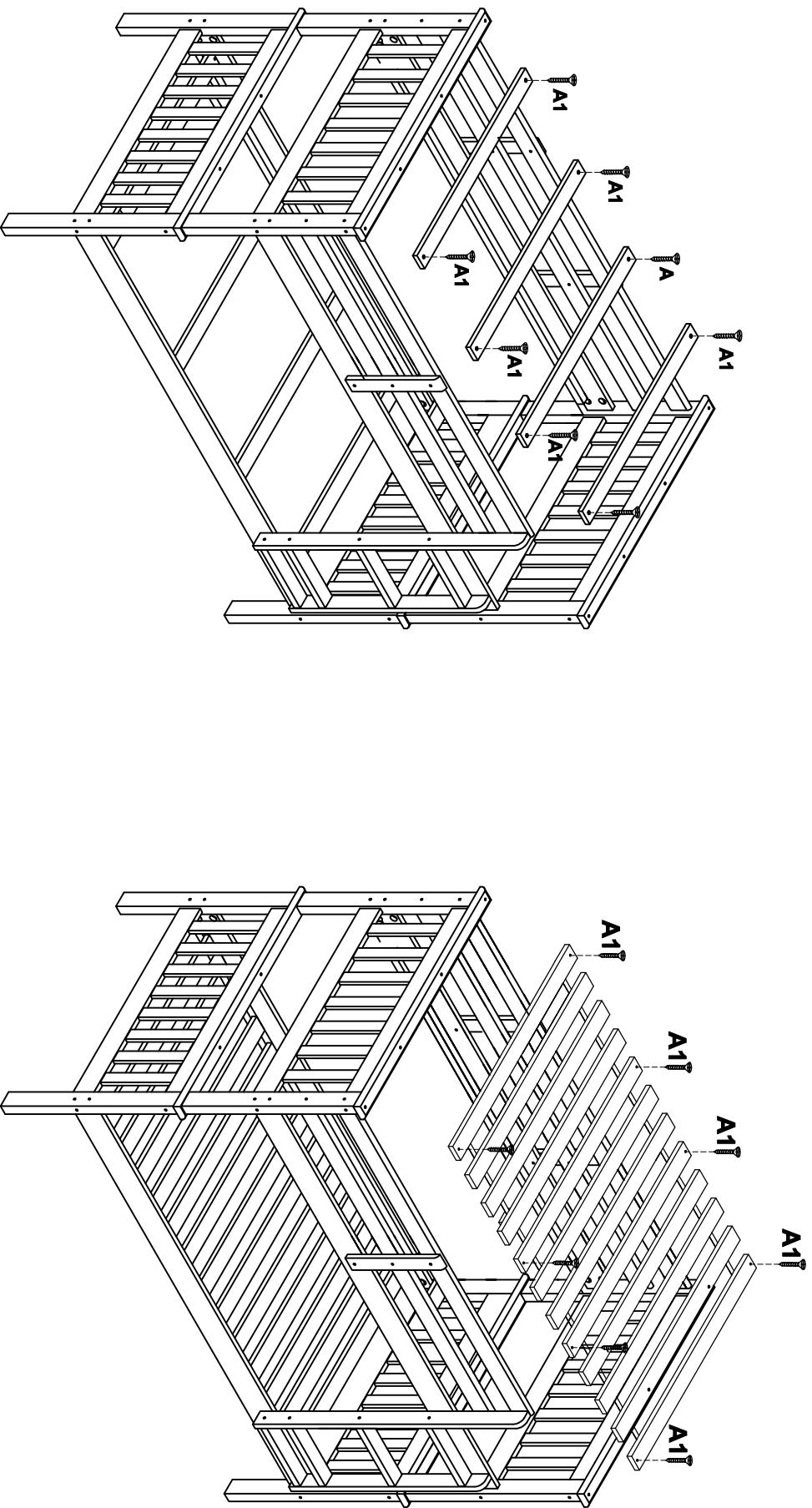
### HARDWARE - STEP 5+6

<b>C</b>		Ø6x50mm	8pcs
<b>E</b>		Ø12x110mm Wood dowel	4pcs
<b>F</b>		Ø10x40mm	16pcs
<b>H</b>		Allen Key	1pc
<b>I</b>		Ø6x35mm	6pcs



# ASSEMBLY INSTRUCTIONS - BUNK BED

## Step 7



Important : Assembly Instructions for 8 or 24 slat options are located in slat box

### HARDWARE - STEP 7+8

A1



Ø4x25mm

16pcs