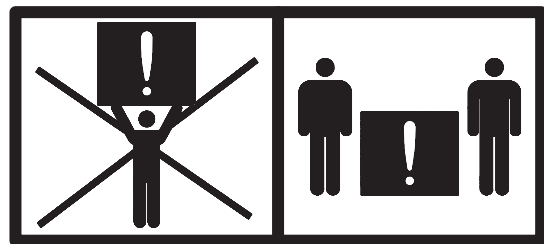
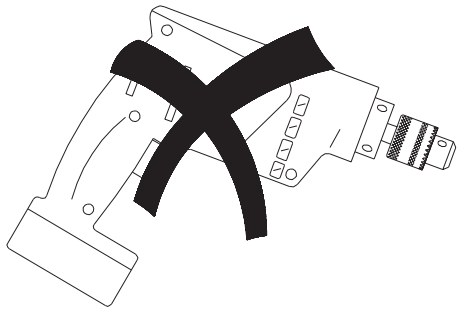
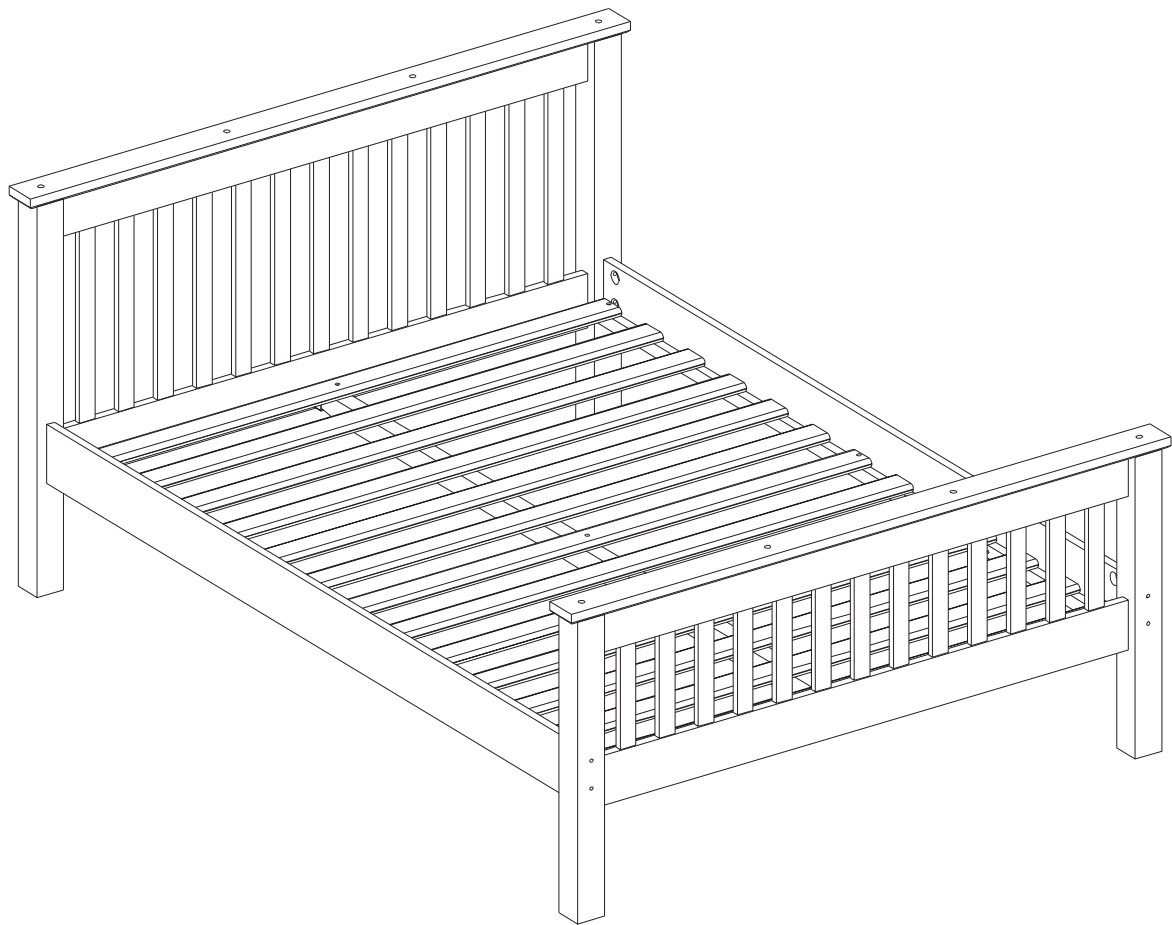


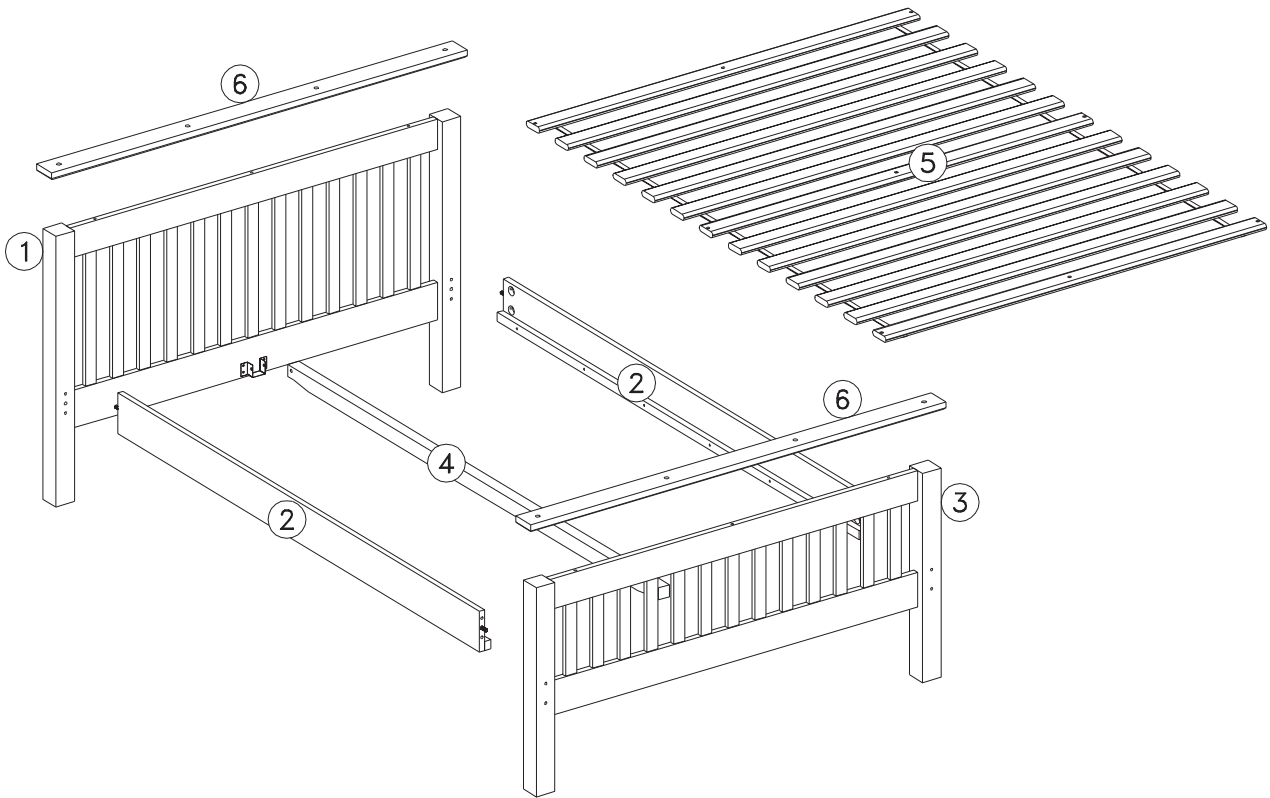
119 F FULL MONACO BED

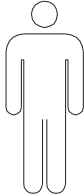
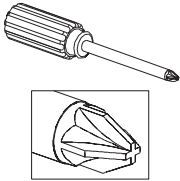
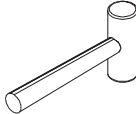
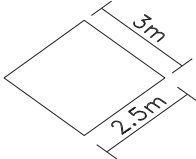


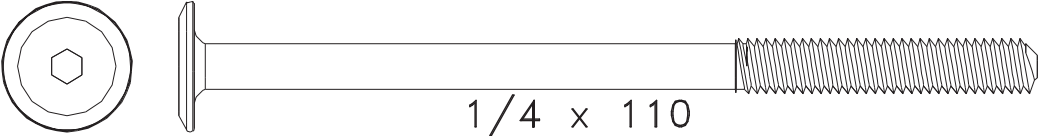
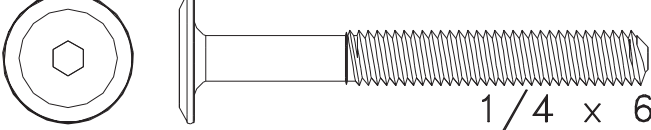
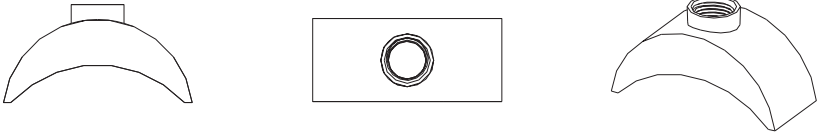
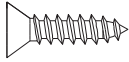
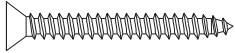
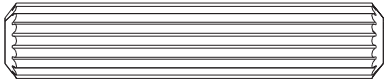
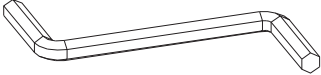
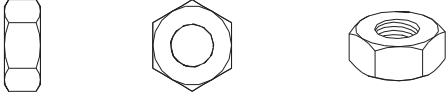
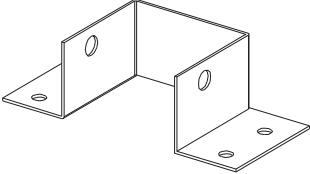
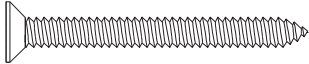
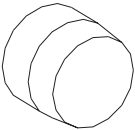
- Use of power tool to assemble this product will invalidate any claim and damage this product making unsafe !!!
- Please assemble on a clean soft surface to avoid damage.

- Tools required :
- Phillips-Head Screwdriver (not provided)
 - Hammer (not provided)

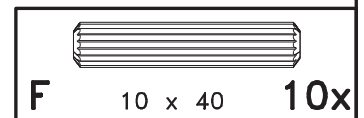
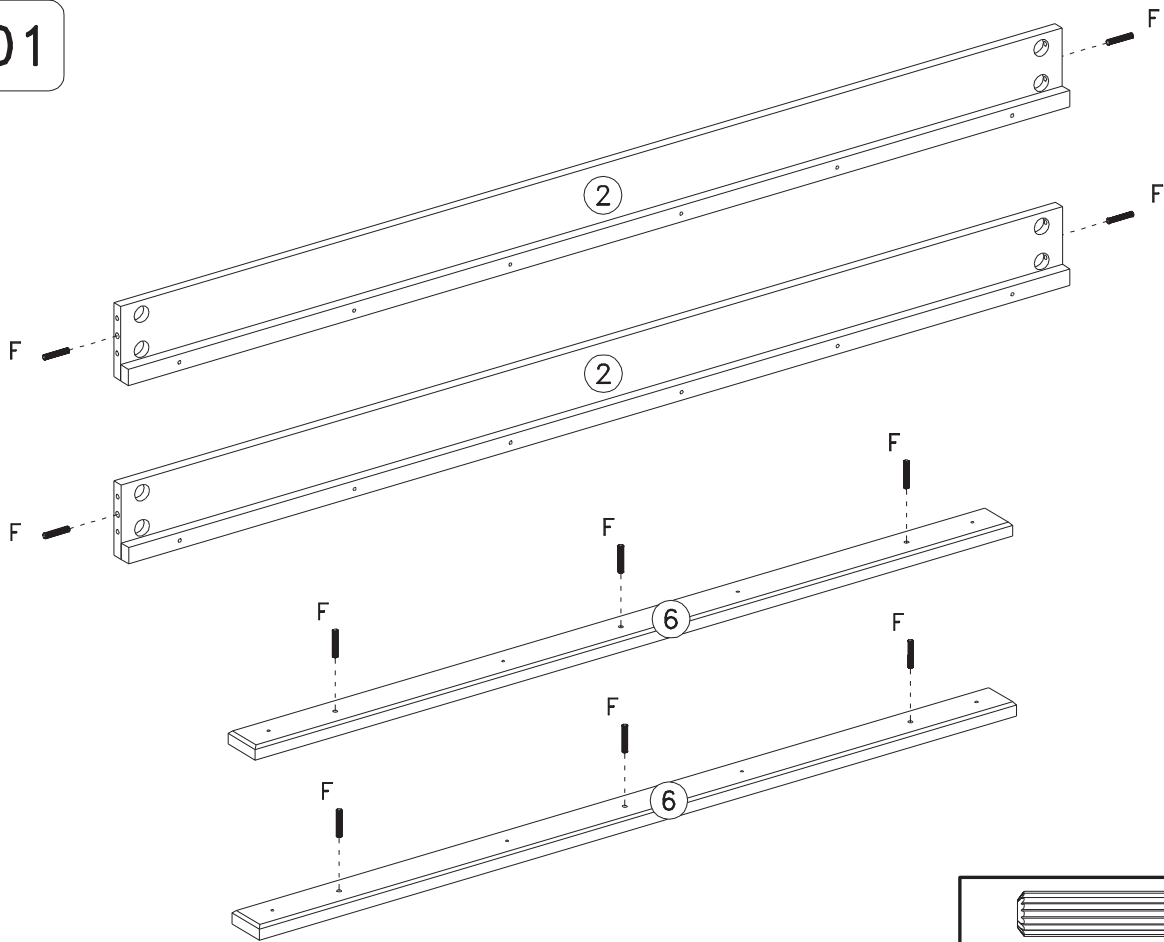
- Please check contents and read instructions before commencing assembly.
- Assemble this article following the enclosed instructions carefully.
- Please take care to avoid damaging panels during assembly.



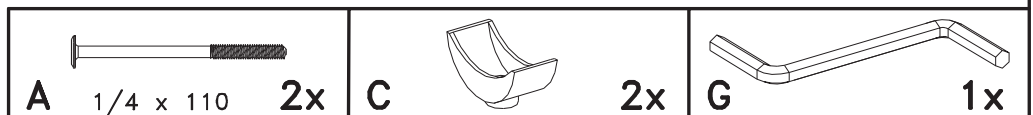
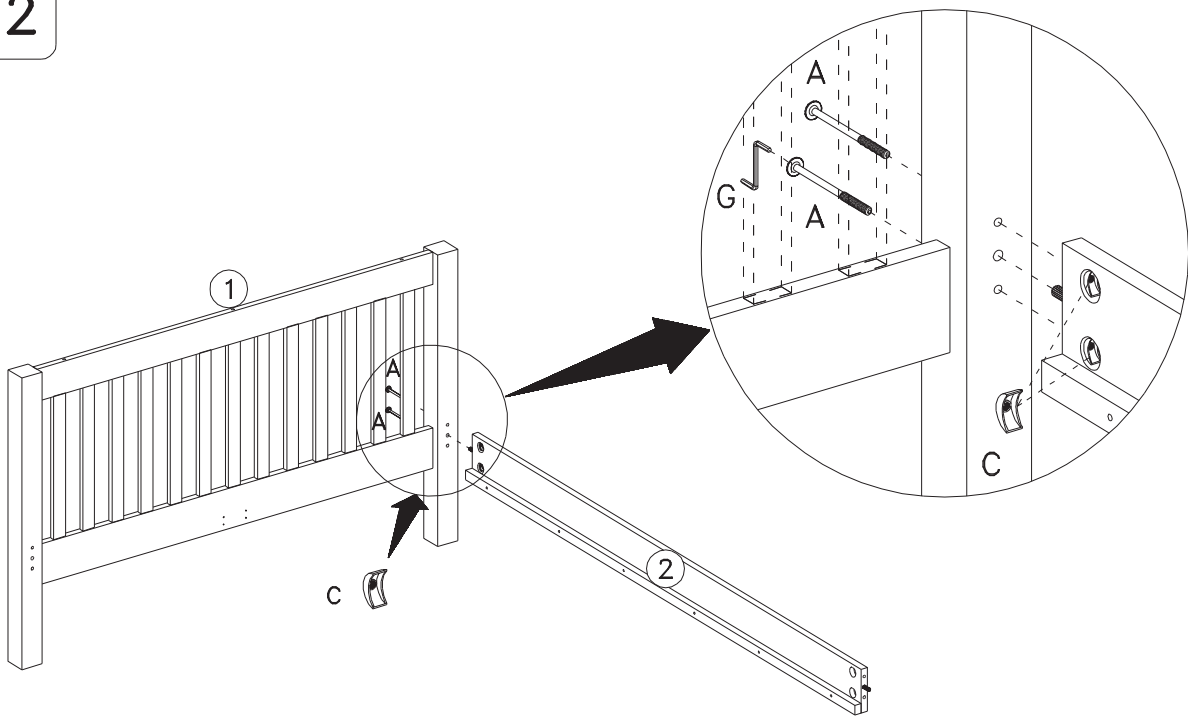
ITEM	DESCRIPTION	QTY		
1	HEADBOARD	01		
2	SIDE RAIL	02		
3	FOOTBOARD	01		
4	CENTRE RAIL	01		
5	SLATS	13		
6	DECORATIVE CAP	02		
				

A		08
B		02
C		08
D		08
E		09
F		10
G		01
H		02
J		02
L		08
M		08

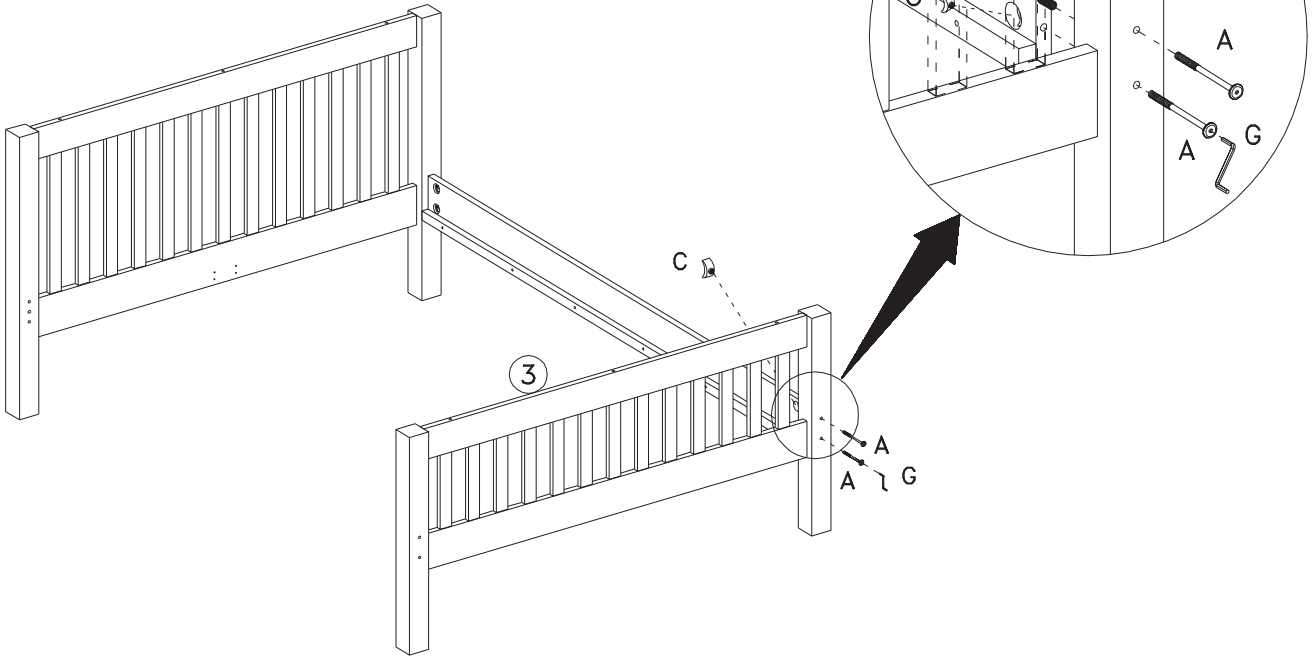
01



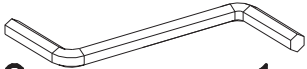


02



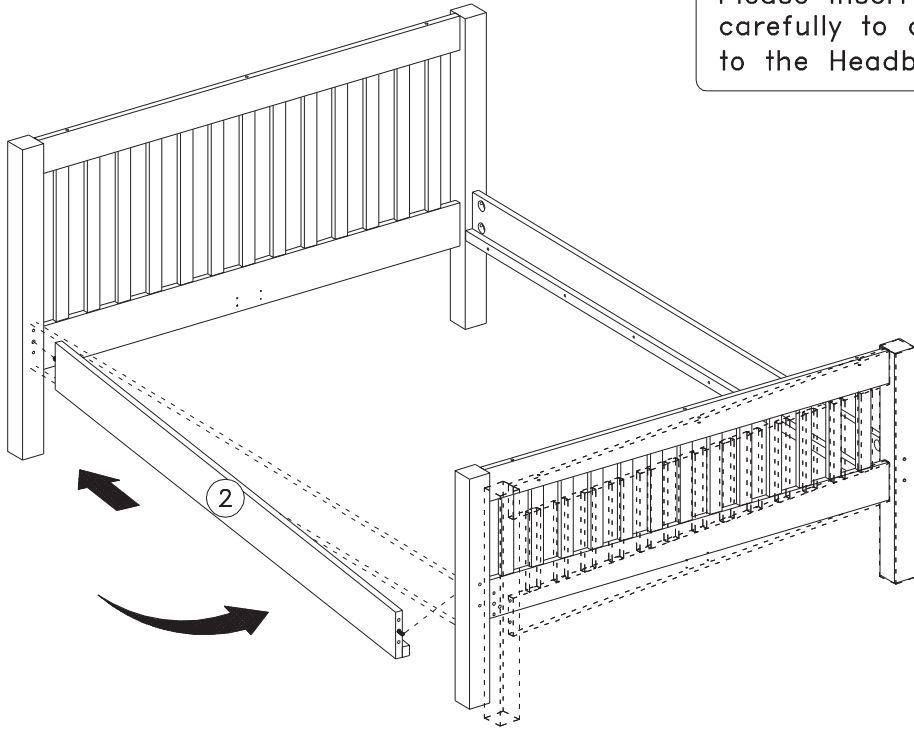
03



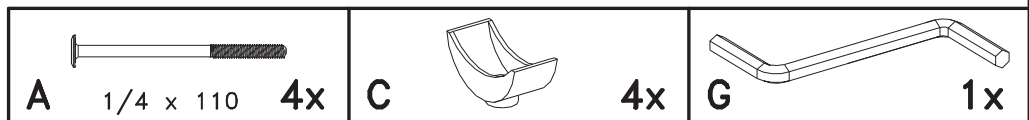
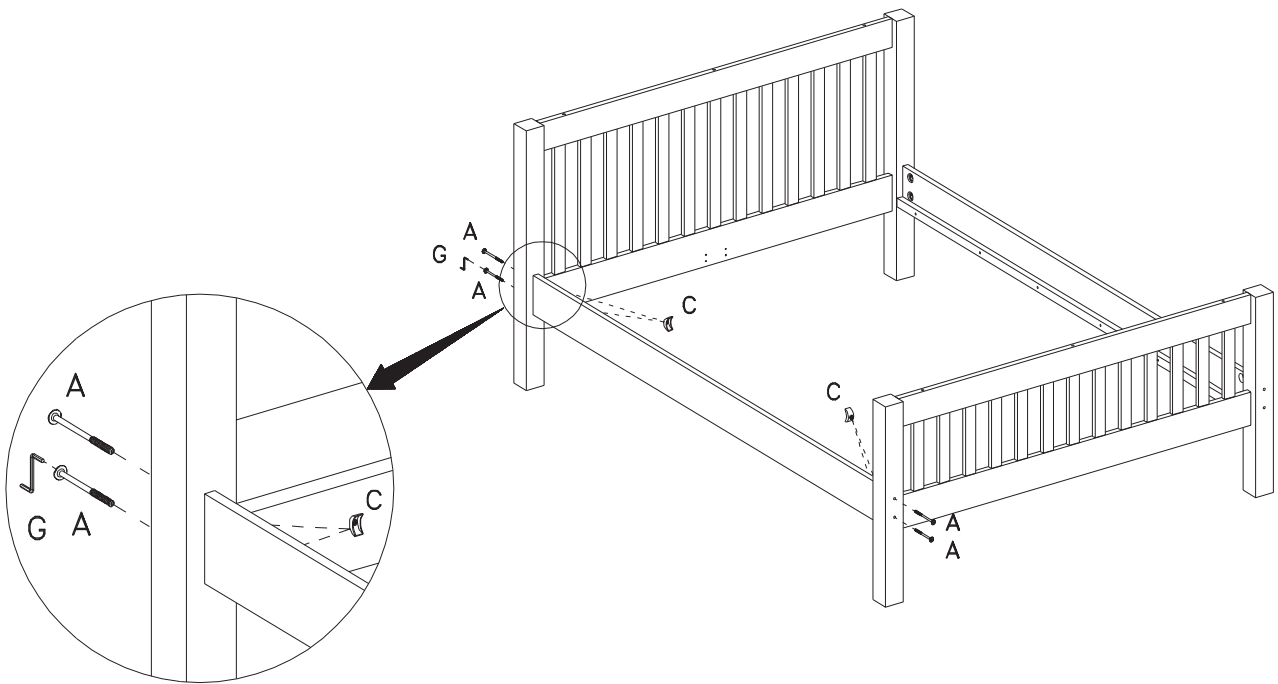
 A 1/4 x 110 2x	 C 2x	 G 1x
---	---	---

04

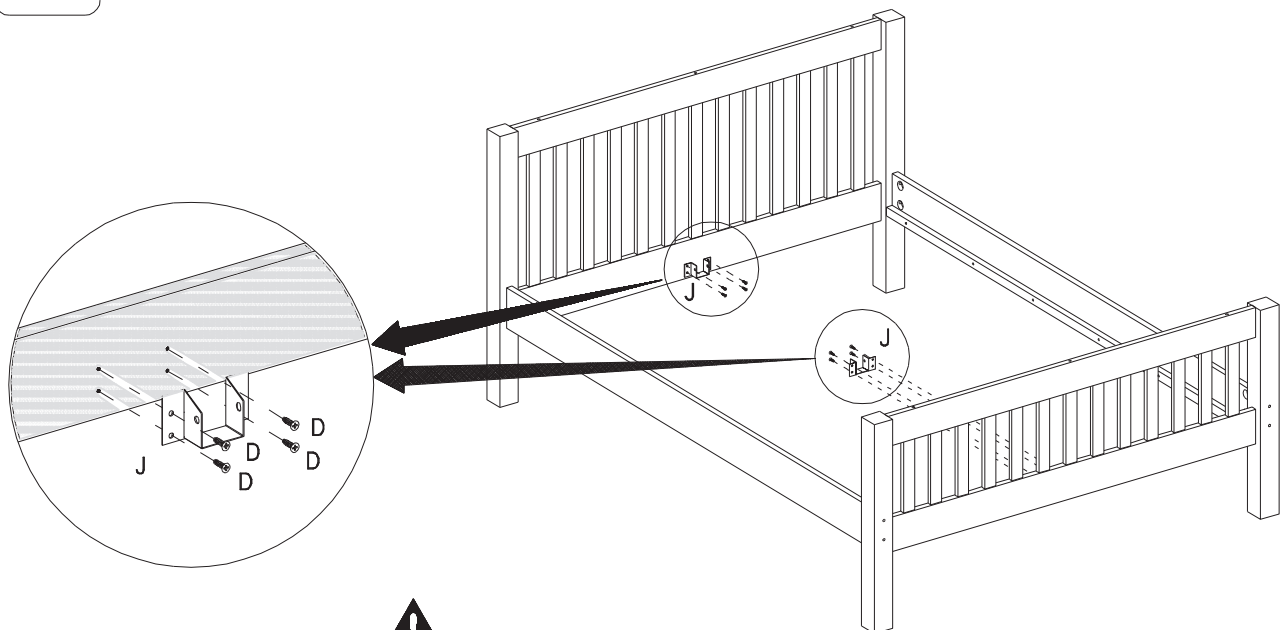

Please insert the Siderail carefully to avoid damage to the Headboard/Footboard.



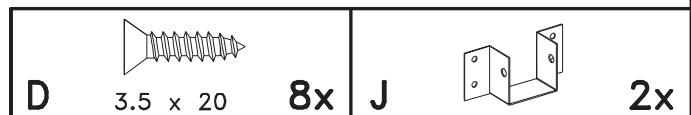
05



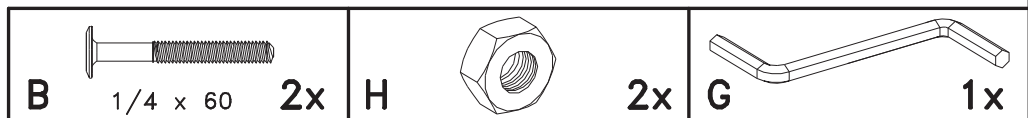
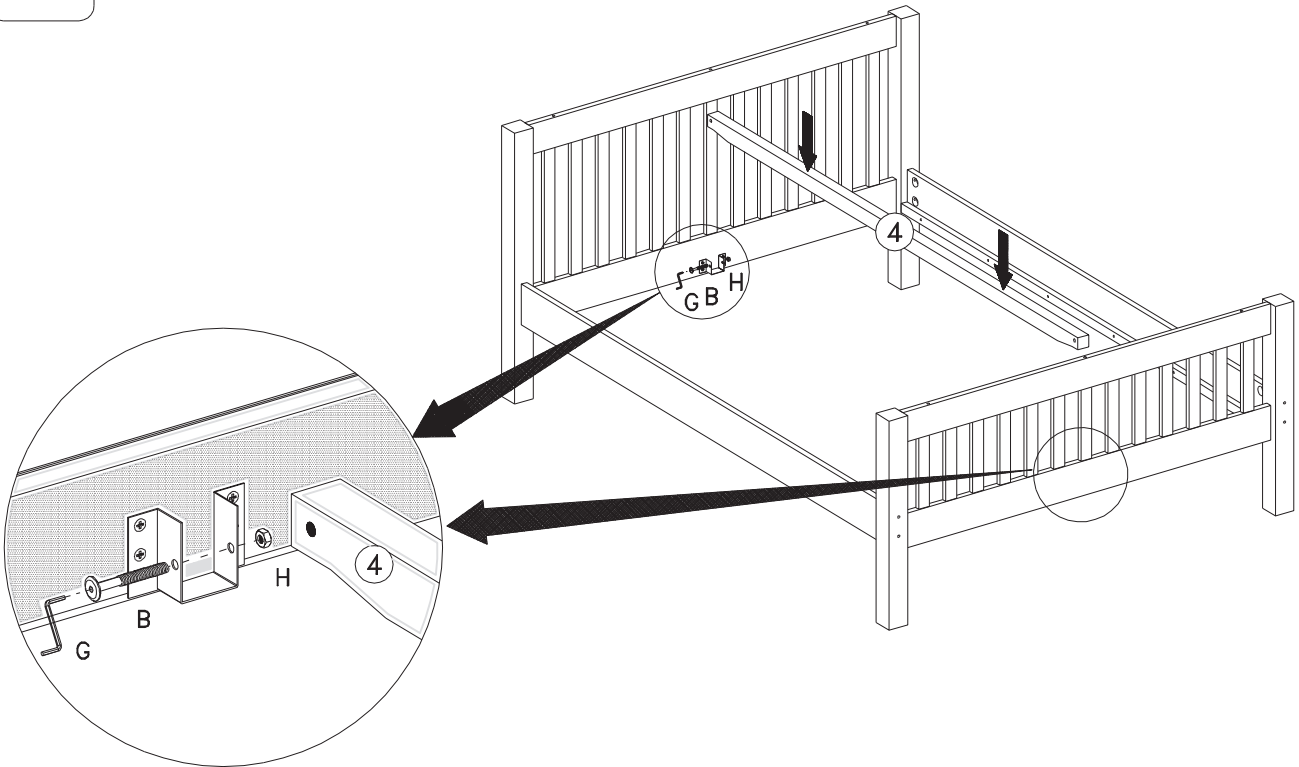
06



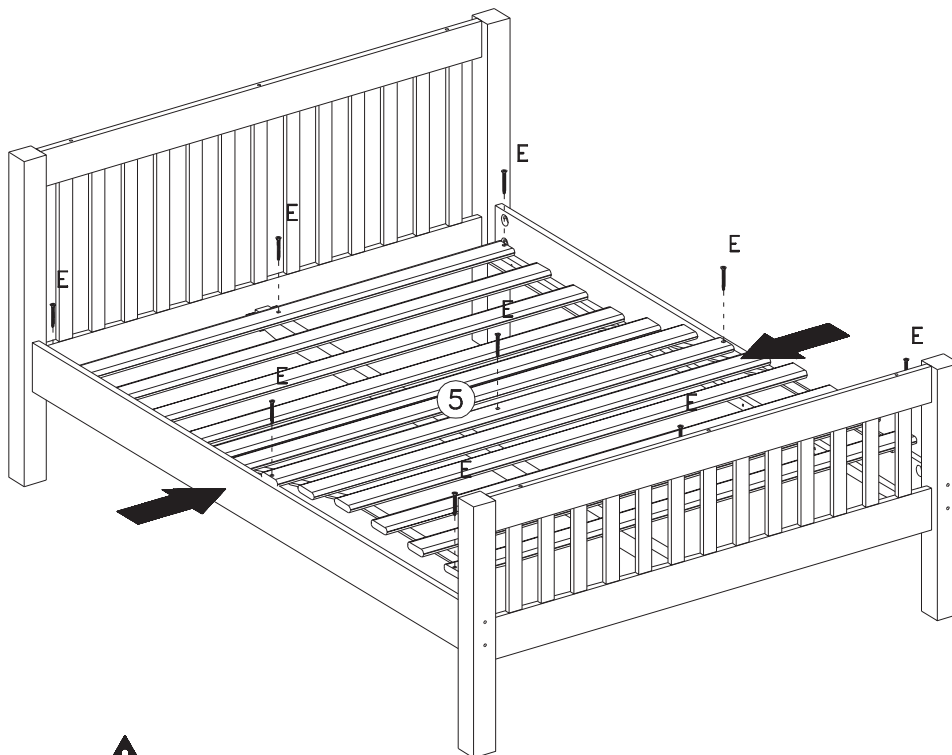
When fixing the Support (J) carefully line up the screw holes with those pre-drilled on the Headboard and Footboard, this will ensure the best assembly.



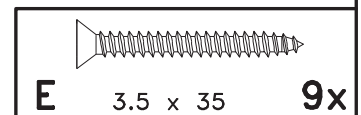
07



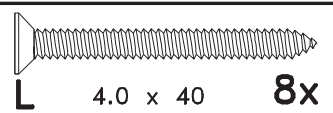
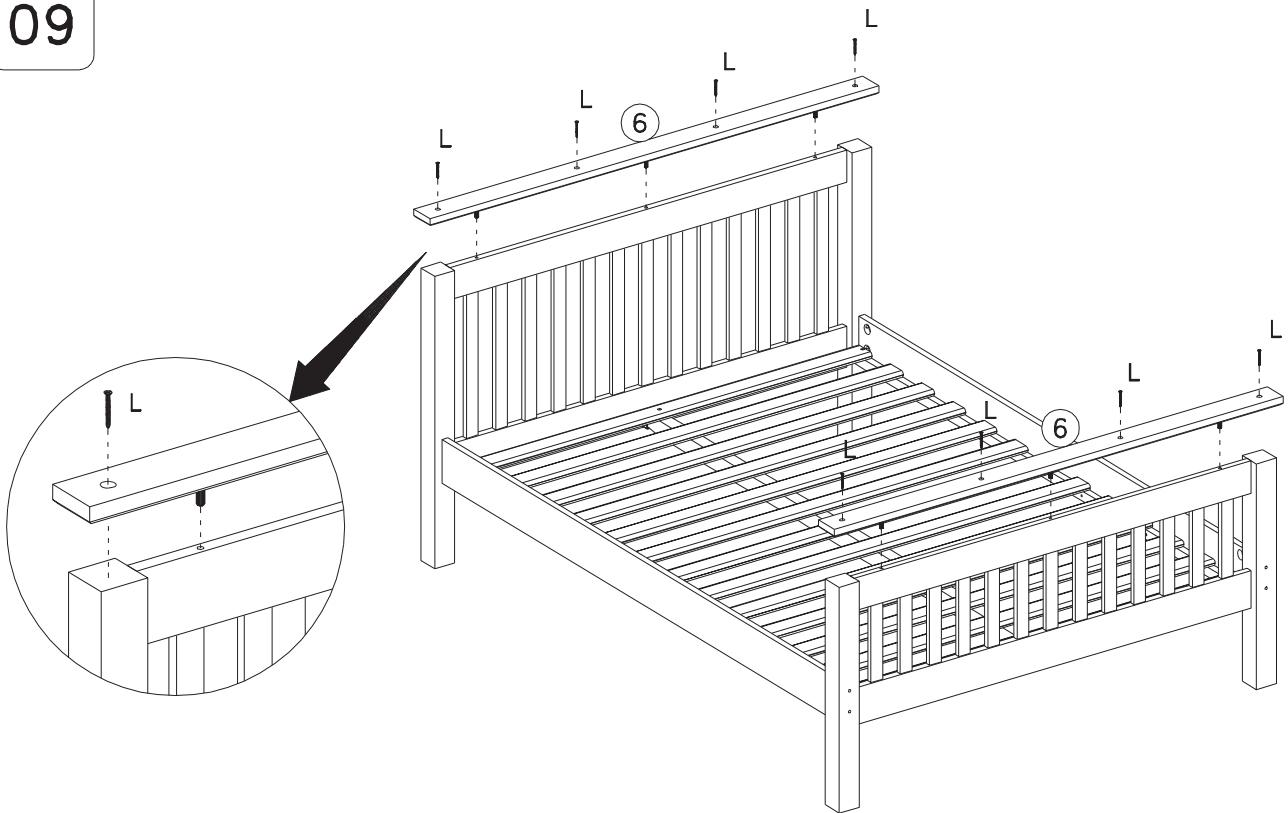
08



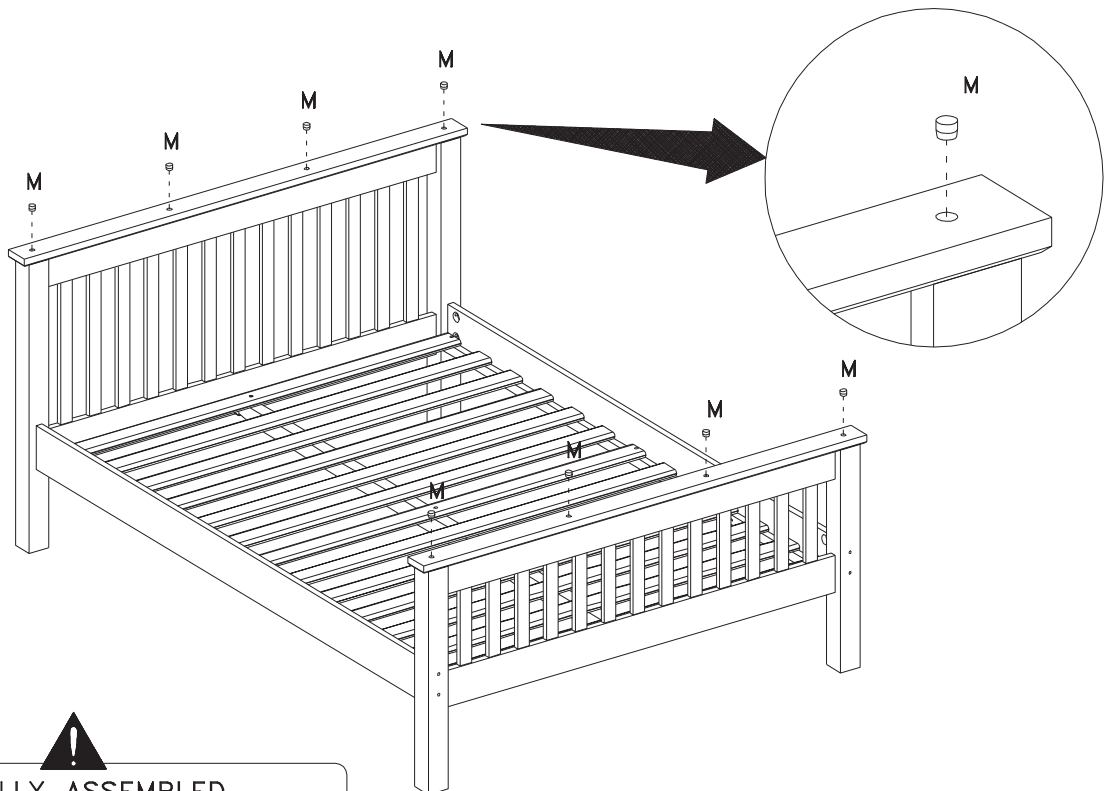
⚠
 Please, fix first the slats adjacent to the headboard and footboard before fix the centre slat as shown to ensure correct spacing. Fix the slats to one siderail first, then push the second siderail tight against the slats and fix.



09



10



- WHEN FULLY ASSEMBLED PLEASE ENSURE ALL SCREWS ARE TIGHTENED.
- PLEASE RETAIN THE ALLEN KEY AND USE PERIODICALLY TO CHECK THAT ALL BOLTS ARE TIGHT.

